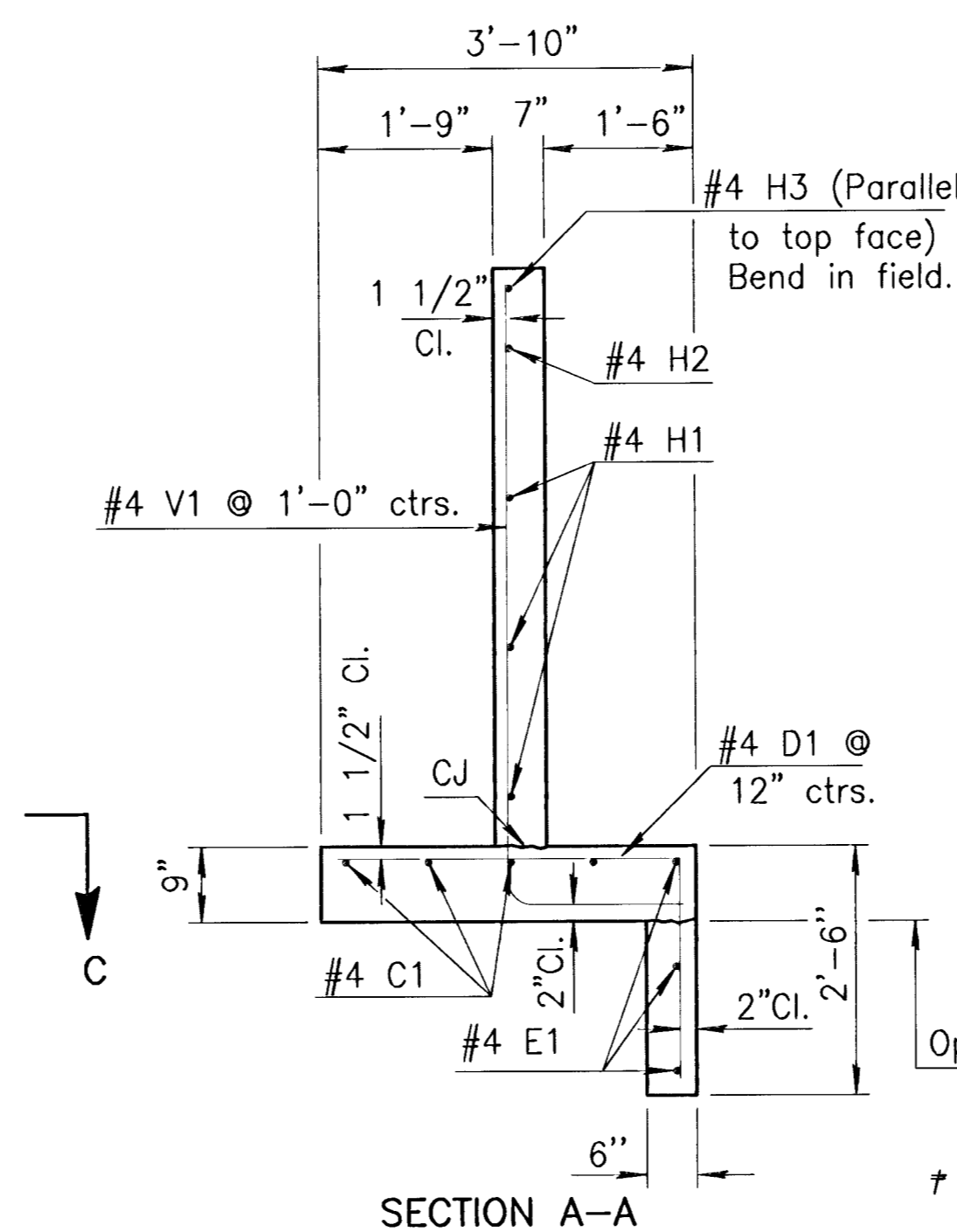
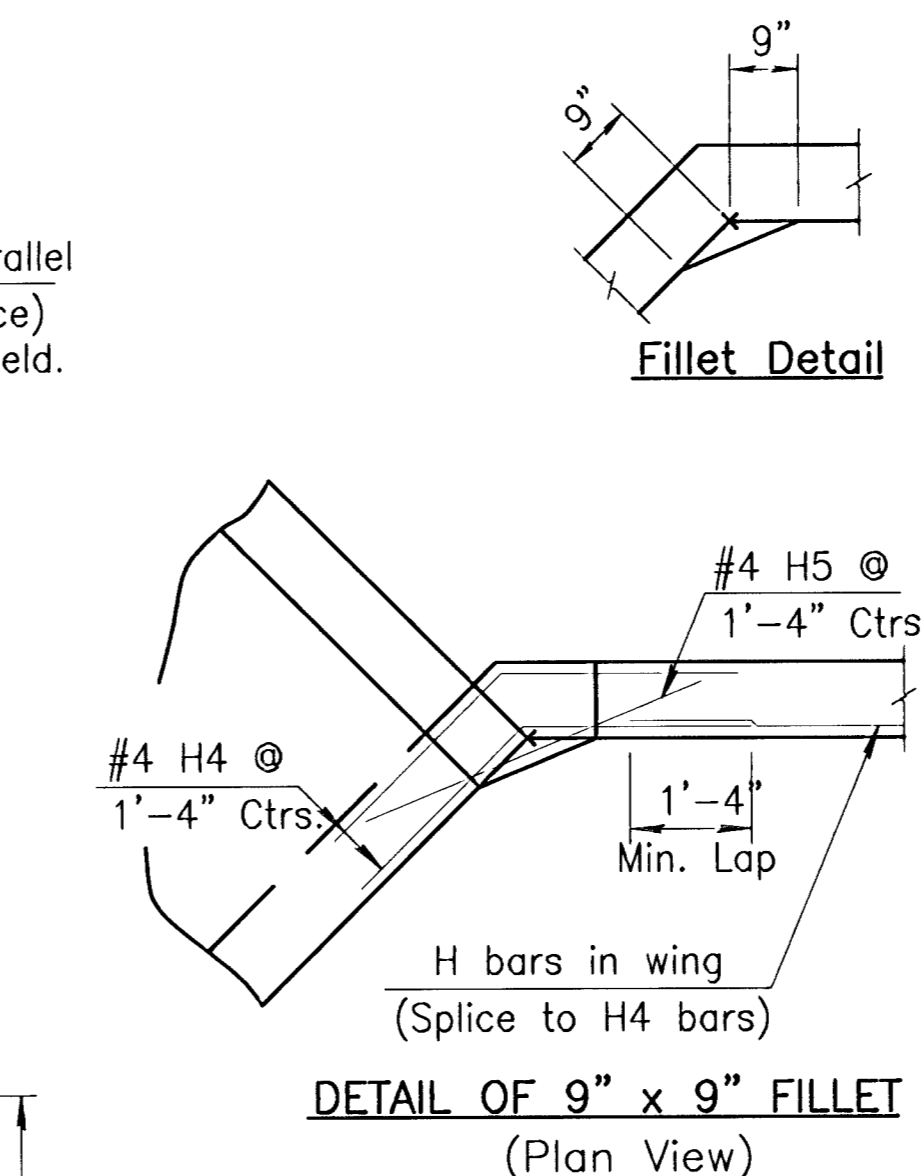


ELEVATION OF WINGWALL
(Backface Shown)



SECTION A-A



DETAIL OF 9" x 9" FILLET
(Plan View)

GENERAL NOTES

UNIT STRESSES: Class AAA Concrete; $f'_c = 4,000$ p.s.i.
Reinforcing Steel; $f_y = 60,000$ p.s.i.

CONCRETE: Class AAA Concrete shall be used throughout. Bevel all exposed edges with a 3/4 inch triangular moulding.

REINFORCING: All reinforcing shall conform to ASTM A615, Grade 60. Welded Wire Fabric shall conform to ASTM A185. All dimensions relative to reinforcing steel shall be to center-line of bar unless otherwise noted.

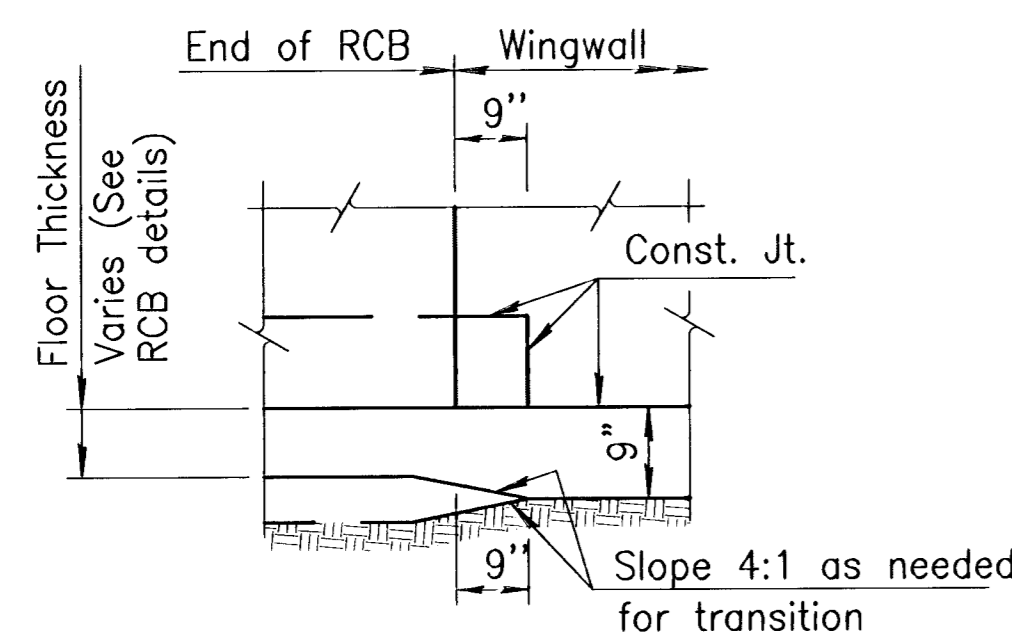
QUANTITIES: Wingwall Quantities include all quantities outside the neat lines of the box, excluding the hubguard.

APRON: A 5" concrete slab shall be constructed between the downstream wings in locations subject to scour only when specified on the plans or by the Engineer. Wire Reinforcing mesh shall be electrically welded and shall be composed of 6 x 6-W1.4 x W1.4 welded wire fabric and shall be classified as pounds of reinforcing.

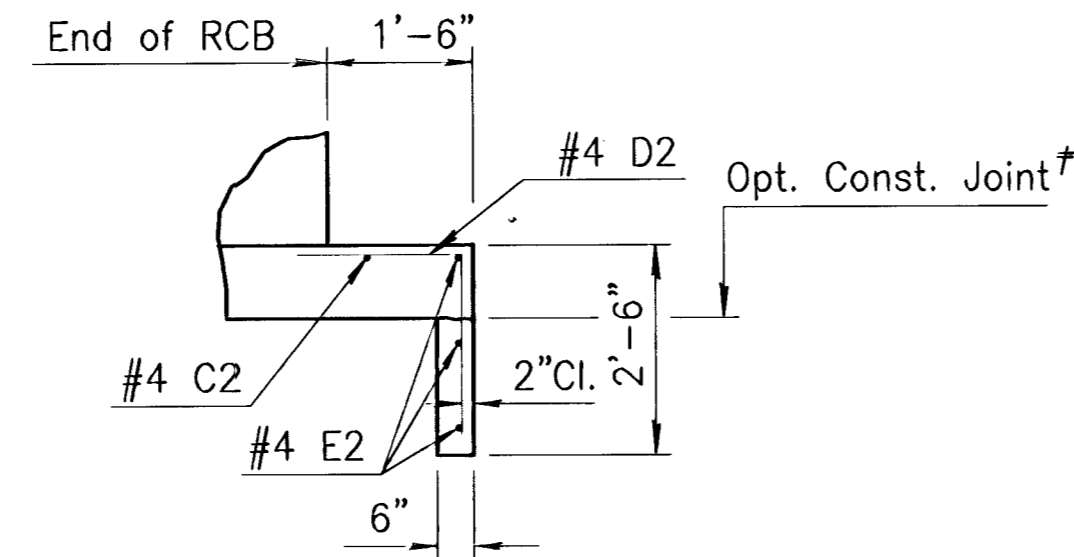
FOUNDATION AND BACKFILL MATERIAL: Soils judged as high plasticity clays, fat clays, expansive clays, or organic clays are unsuitable for foundation and/or backfill material for wingwalls and will not be used. Where these conditions exist, Foundation Stabilization and/or Granular Backfill (Wingwalls) shall be used as determined by the Engineer.

* **NOTE:** Const. Jt. may be used at Contractor's option when approved by the Engineer. D1 bars or mesh may be spliced thus: Minimum overlap shall be 1'-3". No increase in quantities or cost shall be allowed when Contractor elects this option.

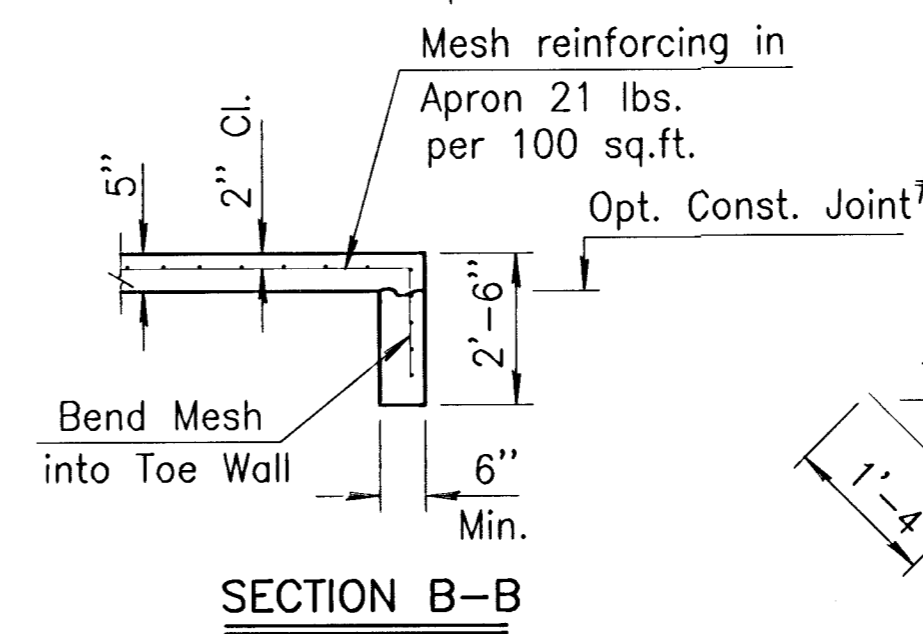
NOTE:
EF = Each Face
NS = Near Side
FS = Far Side
CJ = Const. Joint



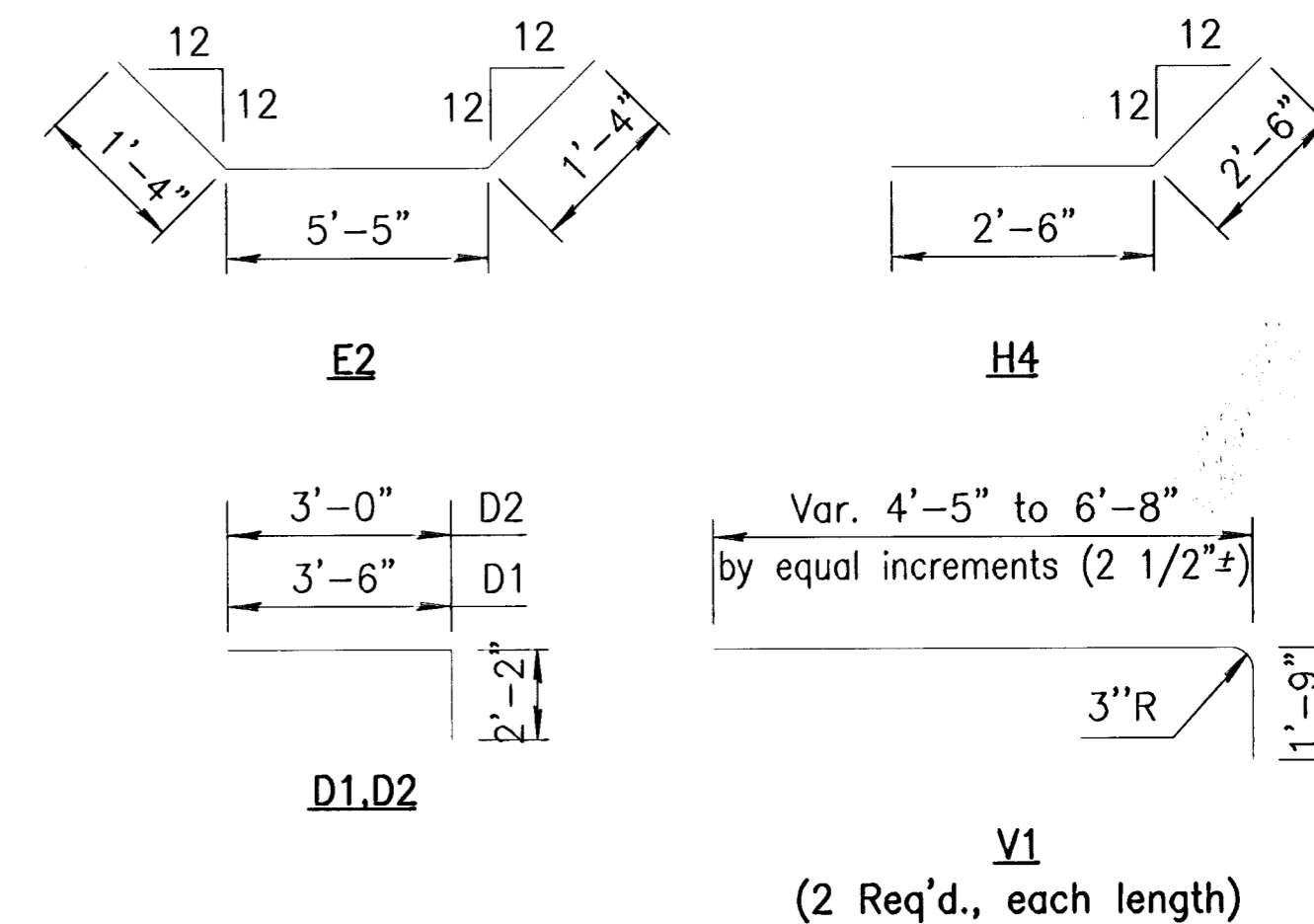
VIEW D-D



SECTION E-E

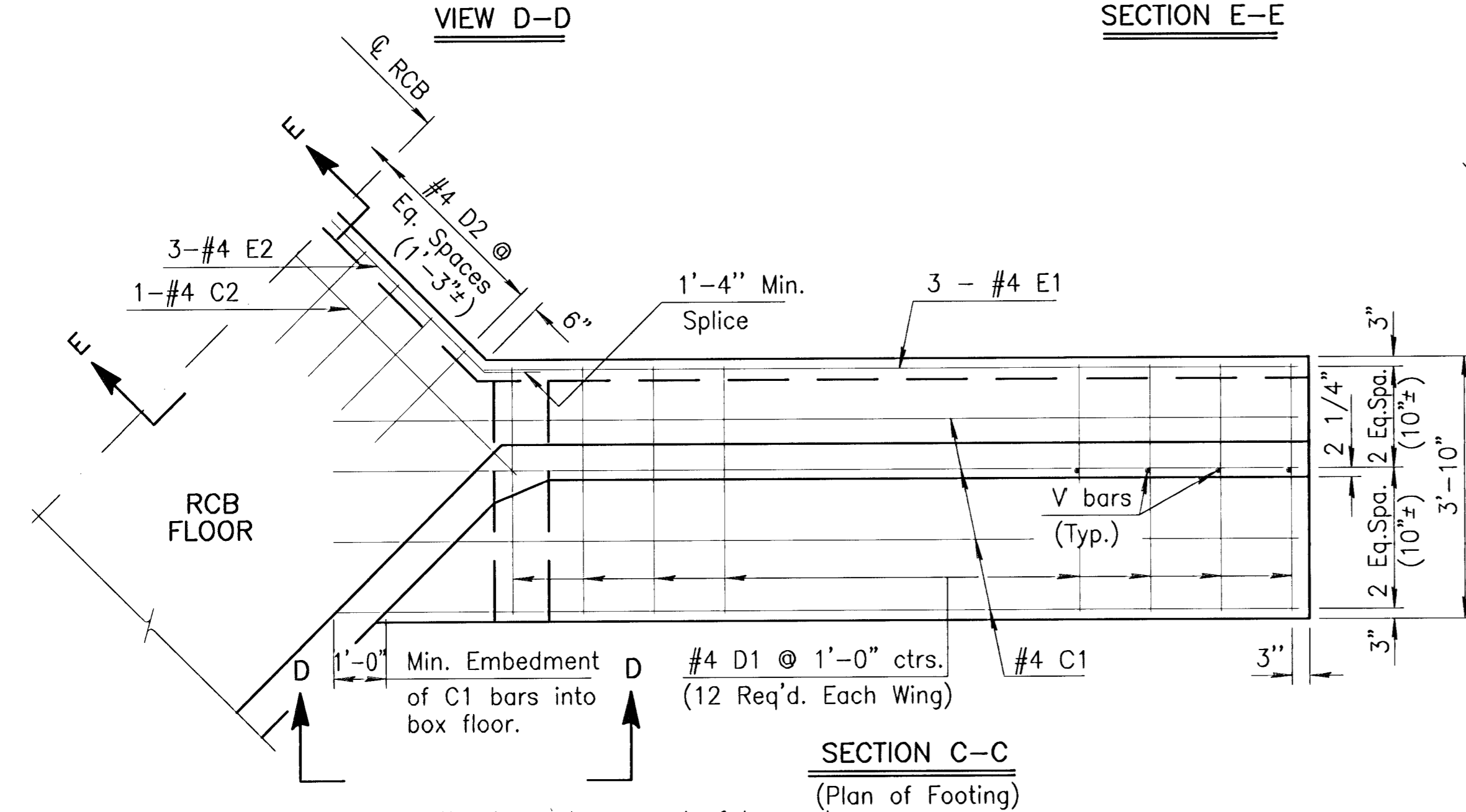


SECTION B-B

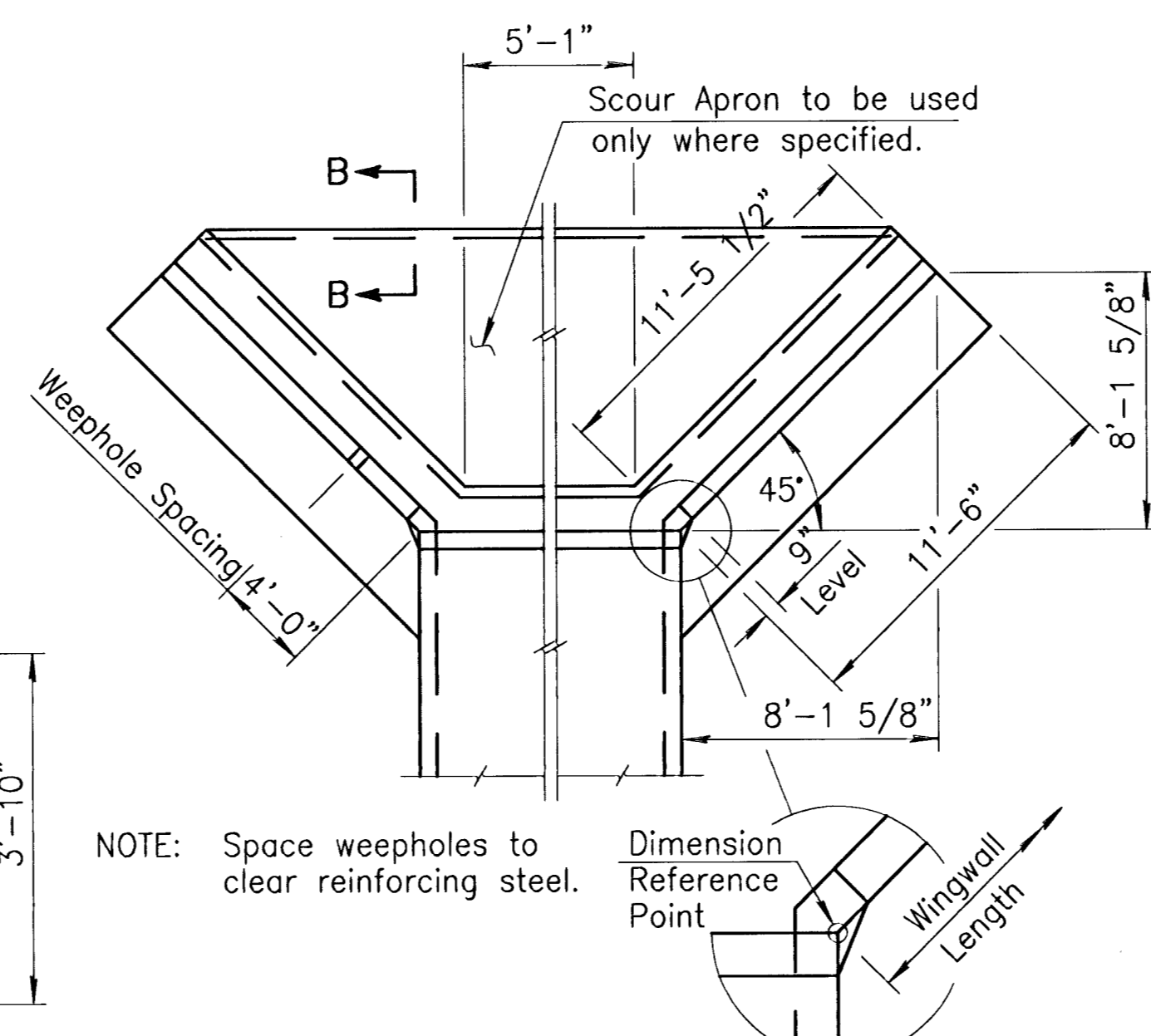


BENDING DIAGRAM

(All dimensions are out to out of bars.)

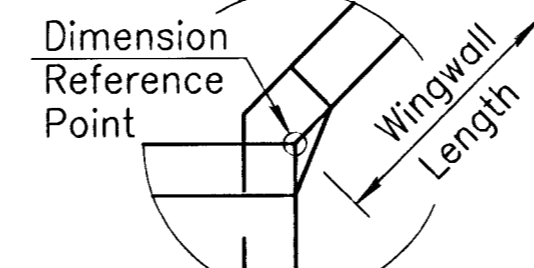


SECTION C-C
(Plan of Footing)



WING DIMENSIONS FOR NORMAL BOX
(3 1/2:1 Embankment Slope)

NOTE: Space weepholes to clear reinforcing steel.



WINGWALL QUANTITIES (One End Only)		
Class AAA Concrete:		
Wingwalls	6.50	CY.
Apron	2.48	CY.
Soil Saver	0.00	CY.
Reinforcing Steel 553.83 Lbs.		
Welded Wire Fabric 33.68 Lbs.		

* See Bending Diagram

NOTE: Reinforcing Bar List is for both wings at one end of box only.

0' Skew	#4C1	#4D1	#4E1	#4C2	#4D2	#4E2	#4V1	#4H1	#4H2	#4H3	#4H4	#4H5
No.	8	24 *	6	1	4 *	3 *	24	8	2	2	24 *	12
Length	14'-0"	5'-8"	11'-3"	7'-8"	5'-2"	8'-1"	*	10'-4"	8'-4"	12'-4"	5'-0"	3'-6"

REVISION
 APPROVED
 DATE
 NO.

FALCON FALLS - PHASE 1
 STREET IMPROVEMENTS
 WINGWALL (5' RISE) DETAILS
 CITY OF WICHITA, KANSAS
 NEL D. CABLE, P.E. - CIVIL ENGINEER
 C.O.W. Project # 472-8867 O.C.A. # 765782

POE & ASSOCIATES OF KANSAS, INC.
 CONSULTING ENGINEERS
 5940 E. Central, Suite 200
 Wichita, KS 67208-4242
 Phone 316/685-4114 FAX 316/685-4444

FINAL
 Designed By: J. Ubert / B. Kulla
 Drawn By: B. Kulla
 P.O. Job No.: 1748A
 Date: May 2003

KANSAS DEPARTMENT OF TRANSPORTATION				
North Pond				
FLARED WINGWALLS 5 FT. RISE (0' SKEW)				
BR10-00-05 SEDGWICK CO.				
NO.	DATE	REVISIONS	BY	APP'D

DESIGNED	DATE	APP'D	DATE