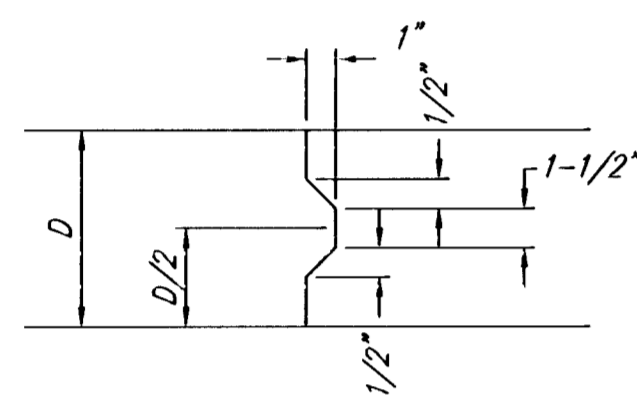
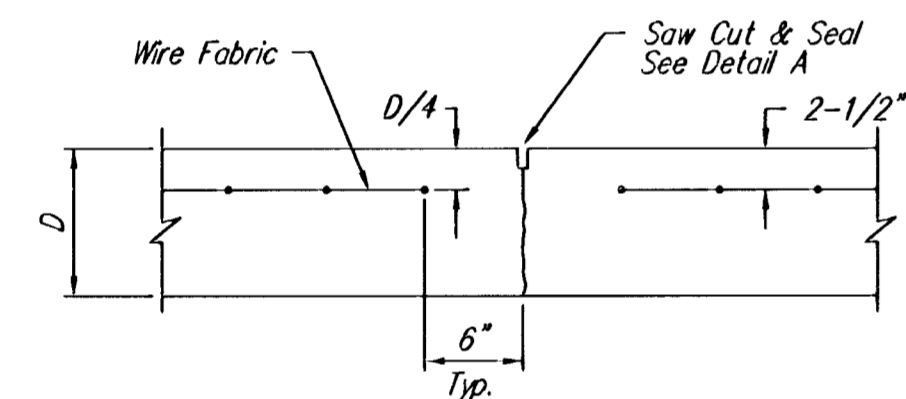


EXPANSION JOINT

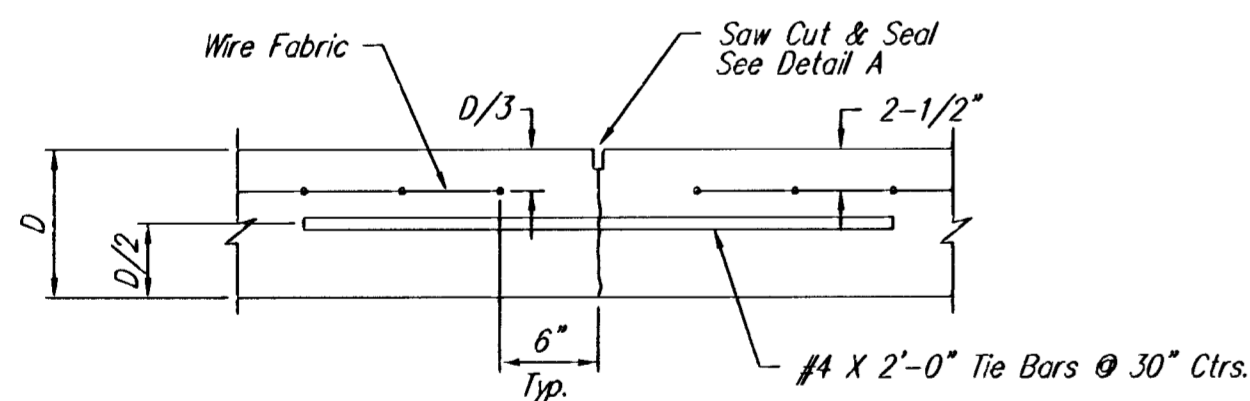
NOTE: Extra Thickness to be Subsidiary to Price of Square Yards Pavement



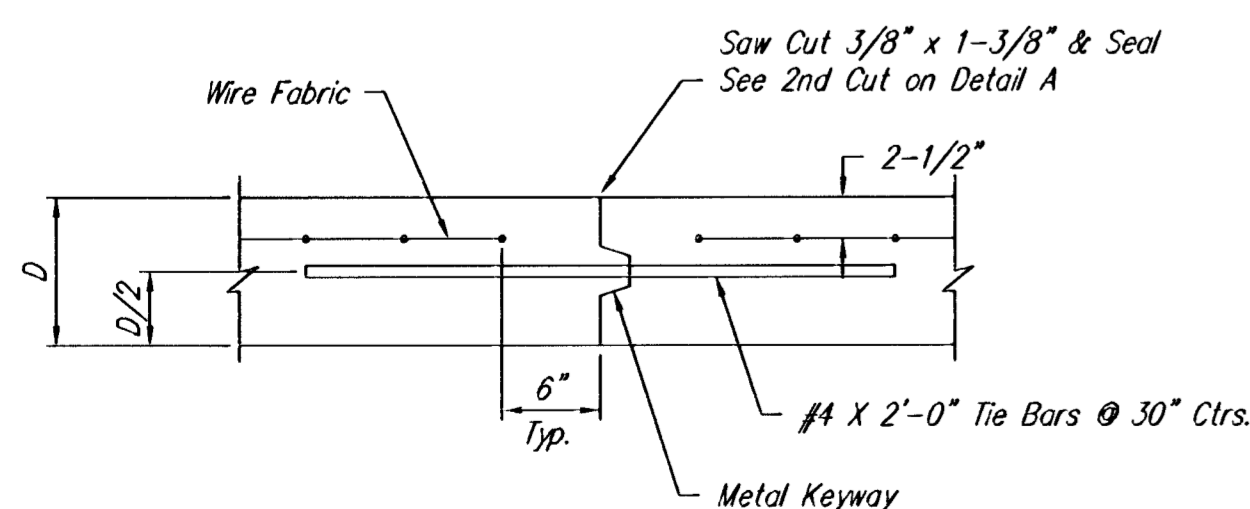
KEYWAY DETAIL



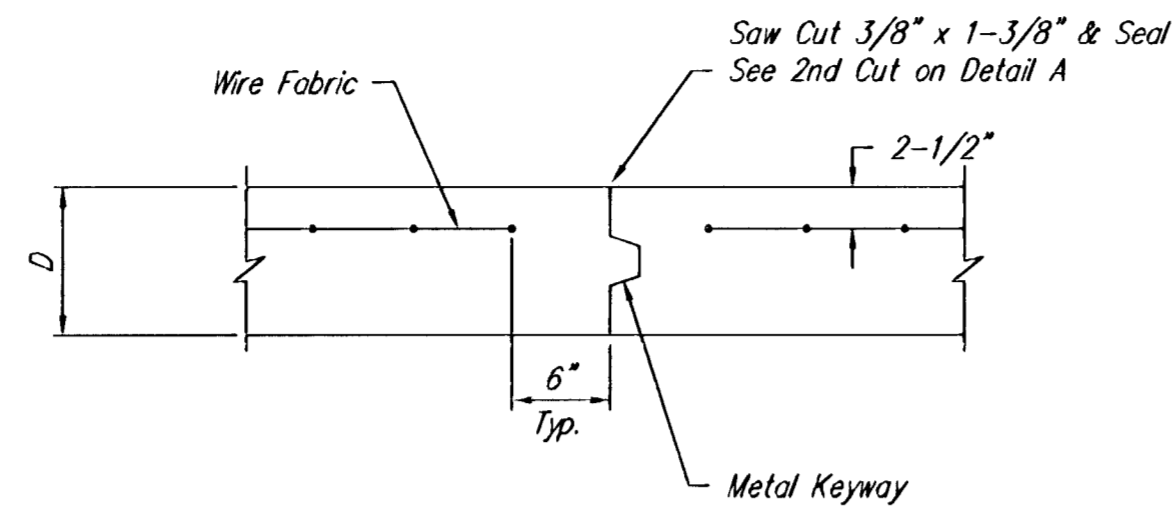
CONTRACTION JOINT DETAIL (C.J.)



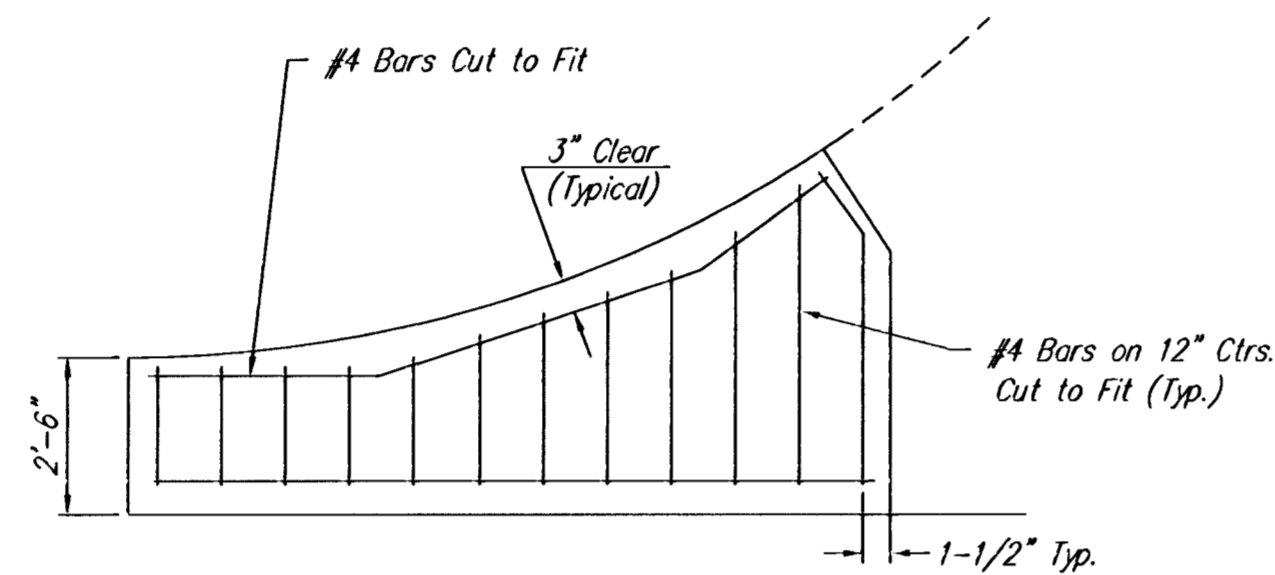
LONGITUDINAL JOINT DETAIL (L.J.)



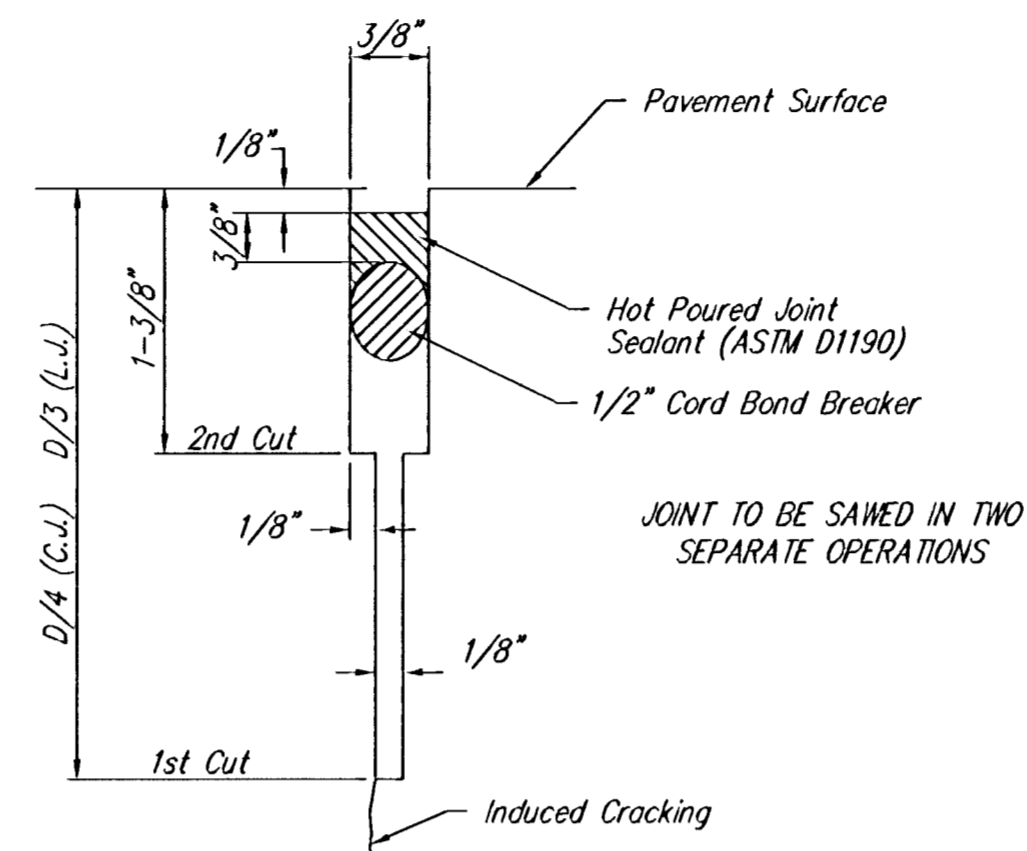
OPTIONAL LONGITUDINAL JOINT DETAIL (L.J.)



OPTIONAL CONTRACTION JOINT

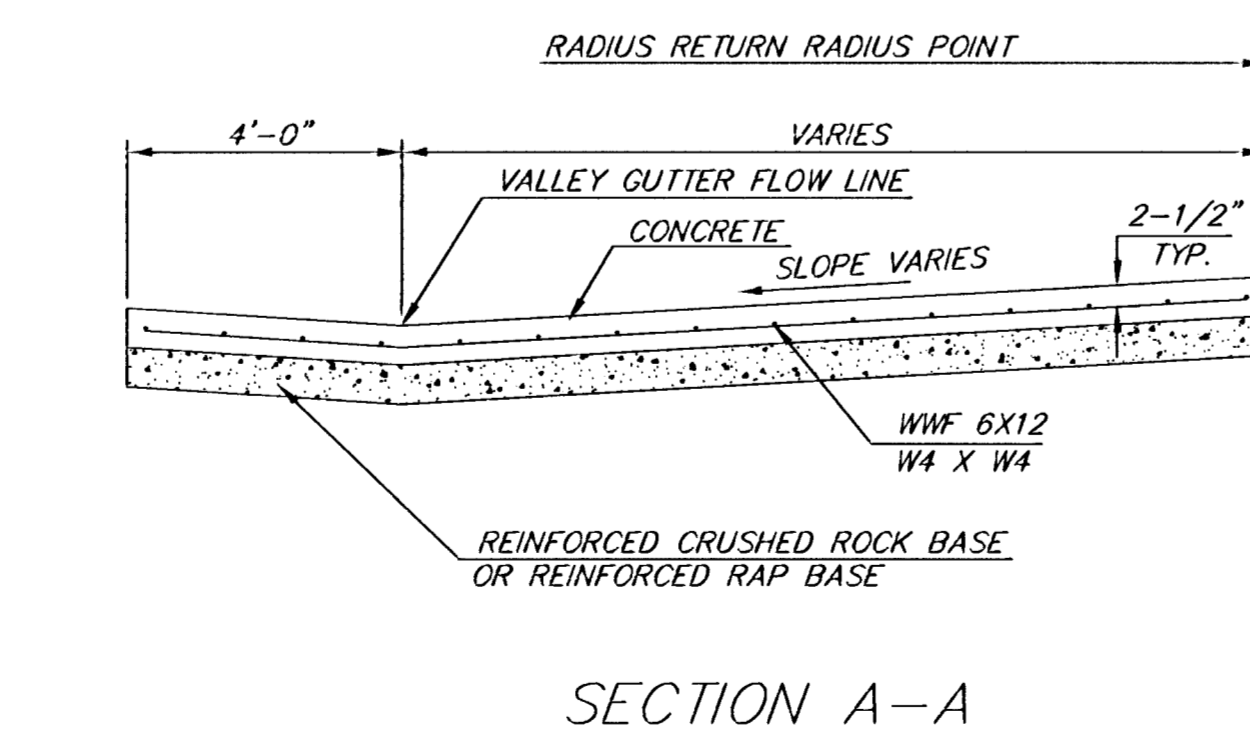
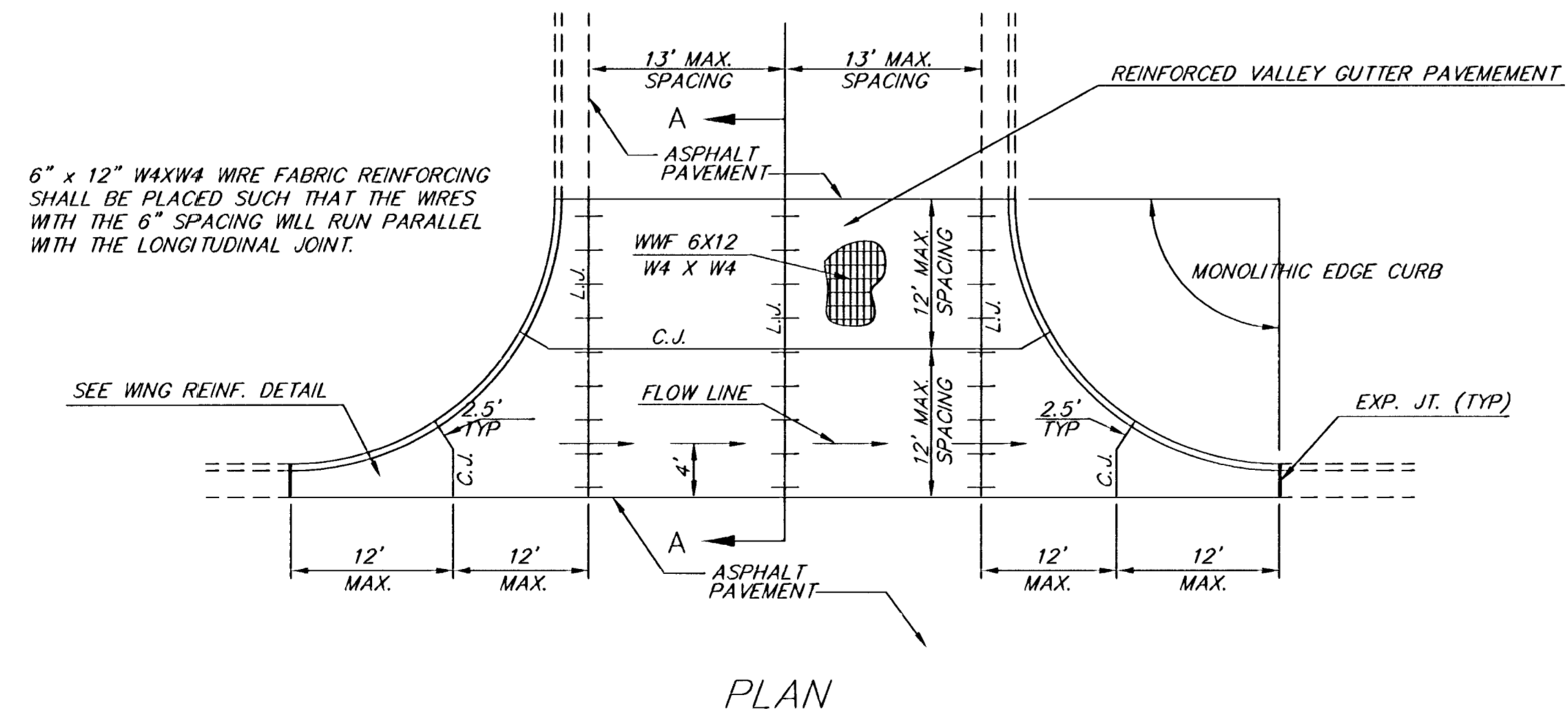


WING REINFORCING DETAIL

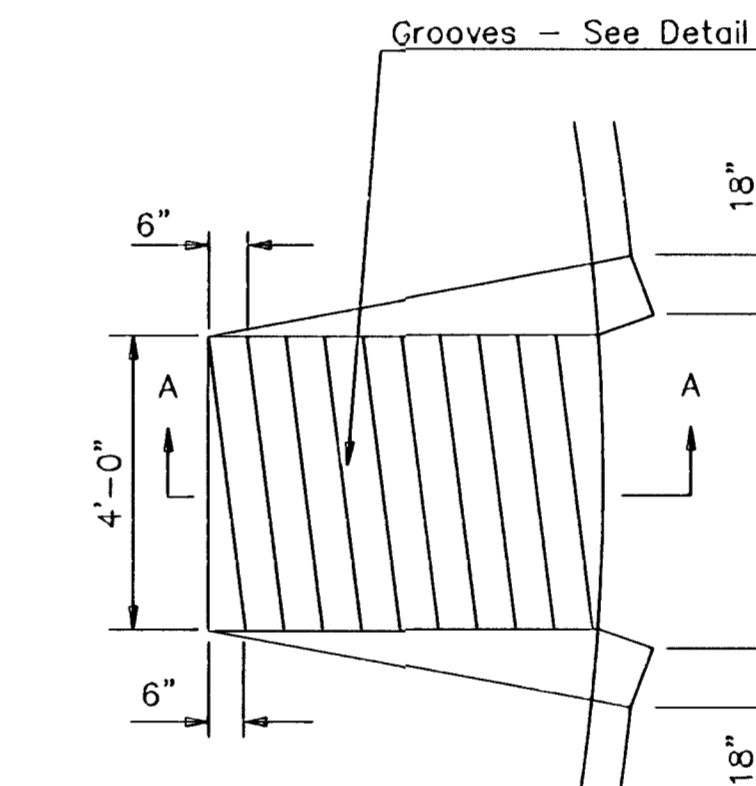


SAW JOINT DETAIL

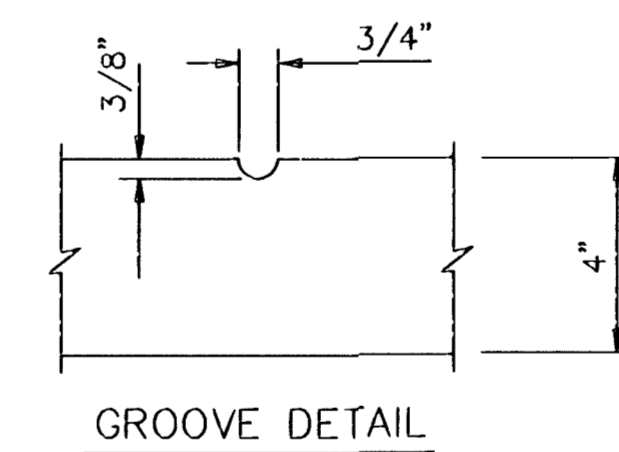
JOINT TO BE SAWED IN TWO SEPARATE OPERATIONS



REINFORCED VALLEY GUTTER DETAIL

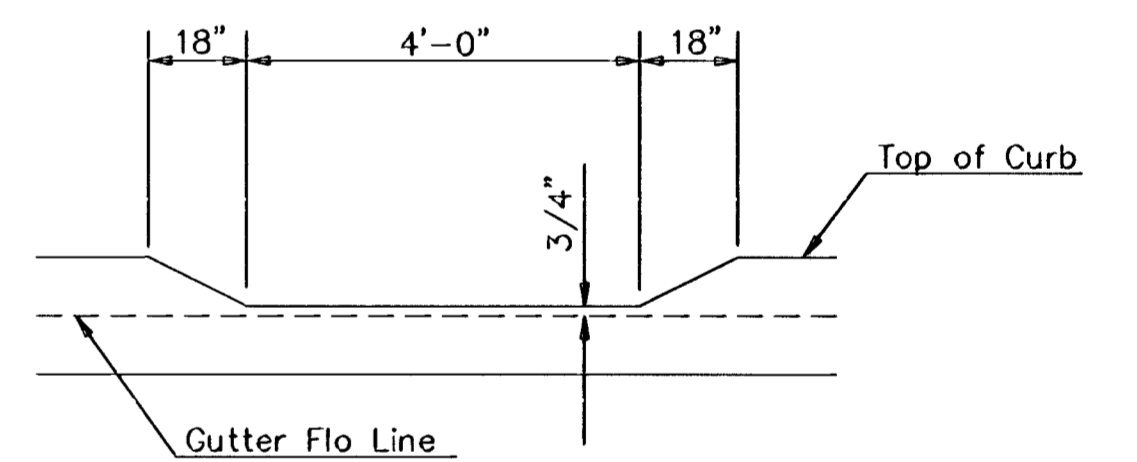
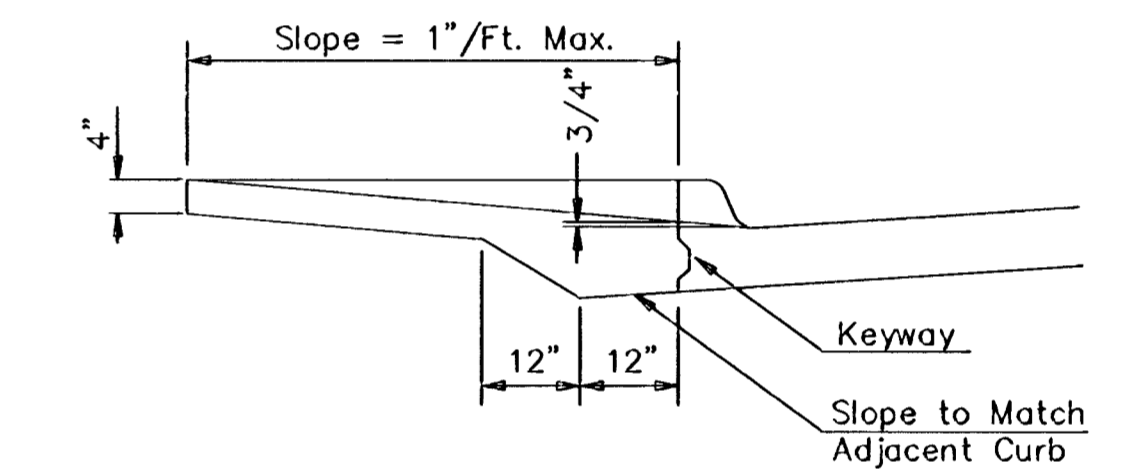


WHEELCHAIR RAMP PLAN VIEW



GROOVE DETAIL

WHEELCHAIR RAMP DETAIL



DEPRESSED CURB DETAIL

	<b>VALLEY GUTTER DETAILS</b> <b>WHEELCHAIR RAMP</b> <b>DETAILS</b>		
	CITY ENGINEER <b>JAMES L. ARMOUR, P.E., L.S.</b>		
	PROJECT NUMBER XXX-XXXX	OCA NUMBER XXXXXX	DATE 10/2006
	CITY ENGINEER'S OFFICE CITY HALL - SEVENTH FLOOR 455 NORTH MAIN STREET WICHITA, KANSAS 67202-1620 (316) 268-4501 (316) 268-4114 FAX		DESIGN COW DRAWN COW SHEET 4 OF 5