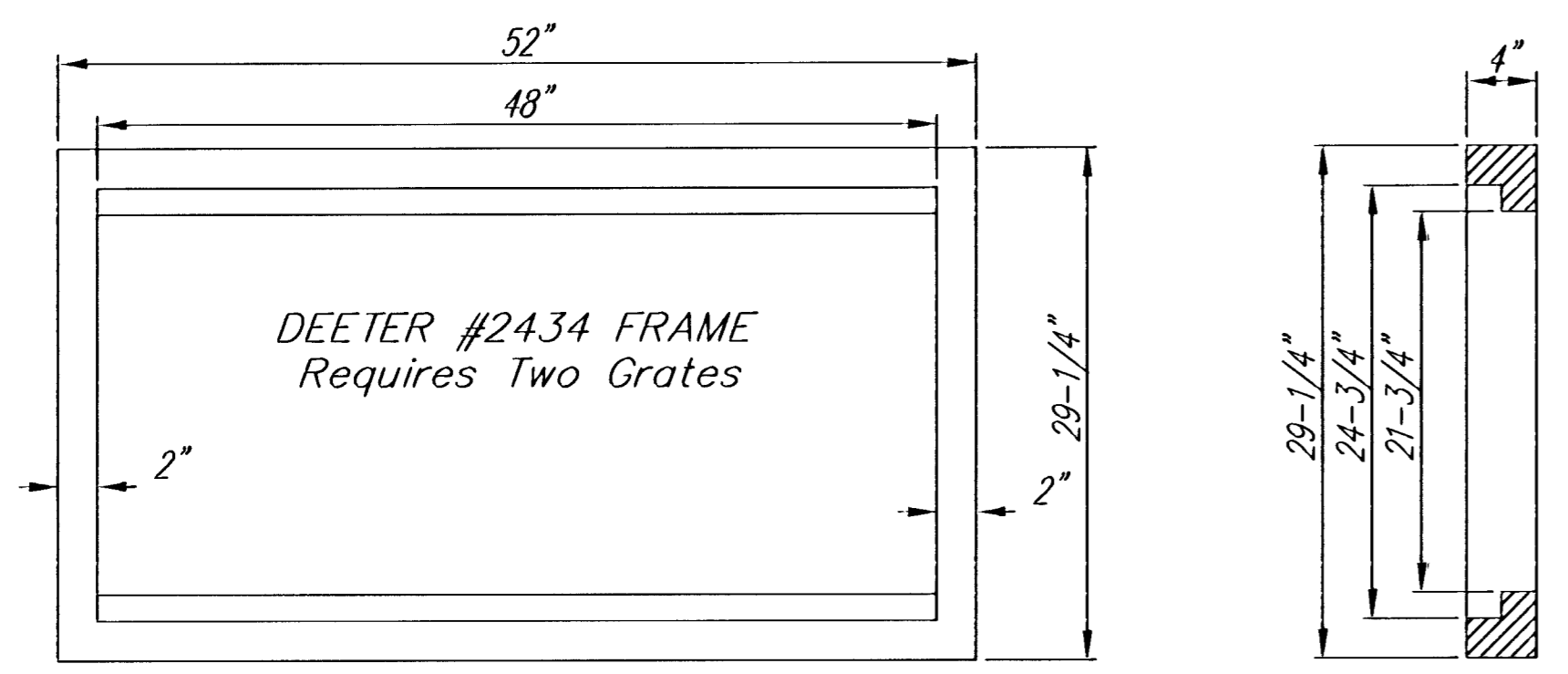


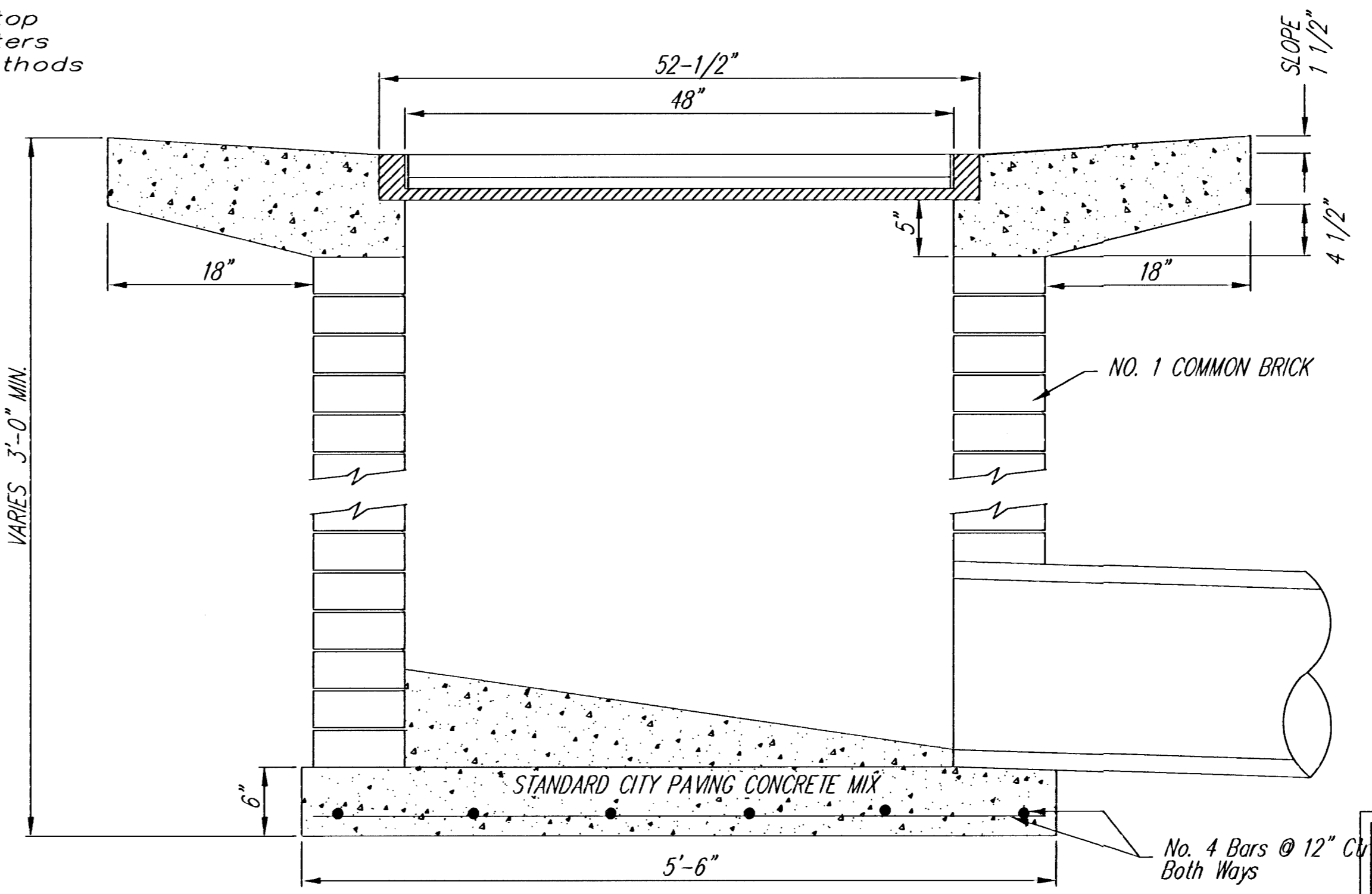
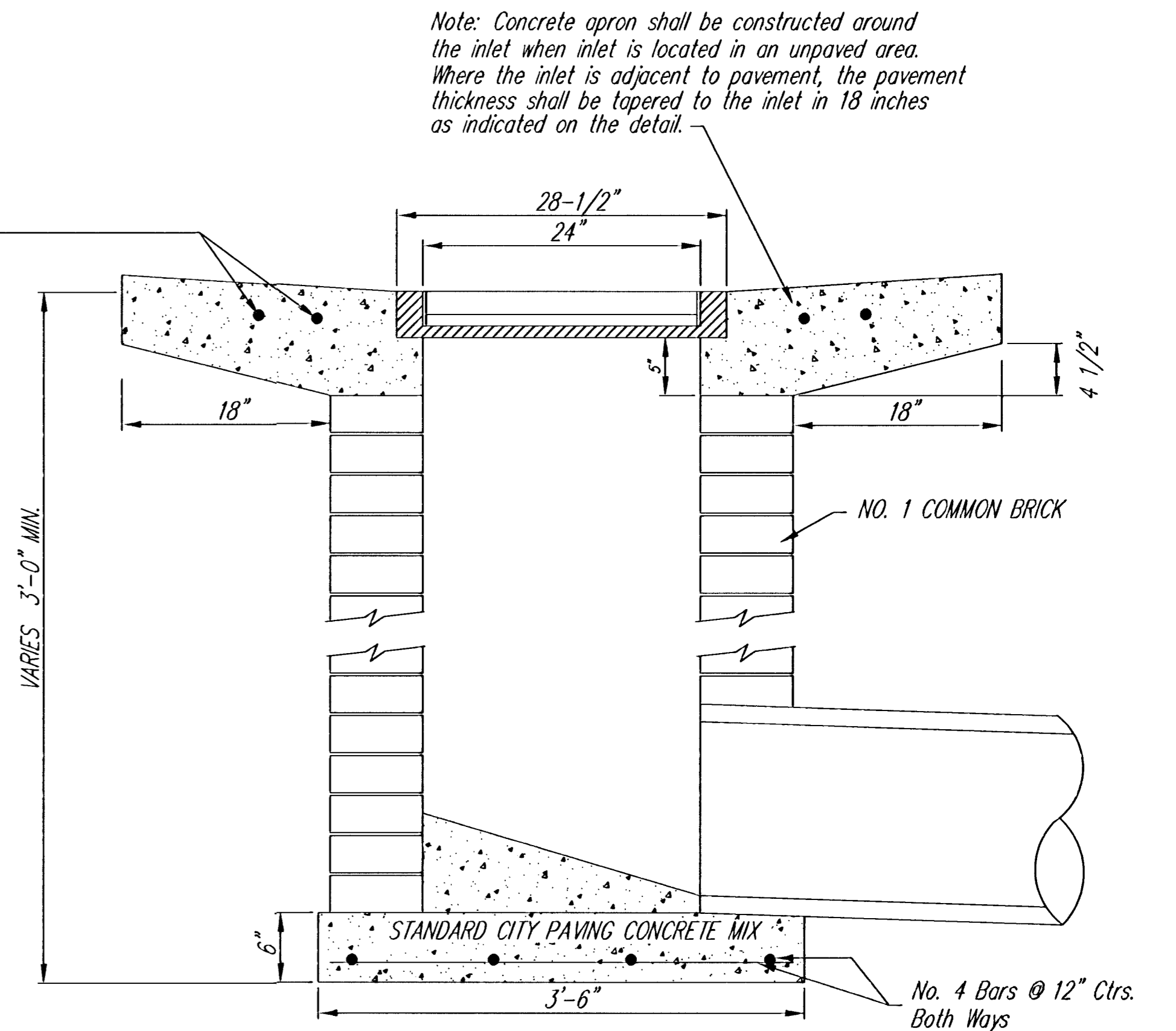
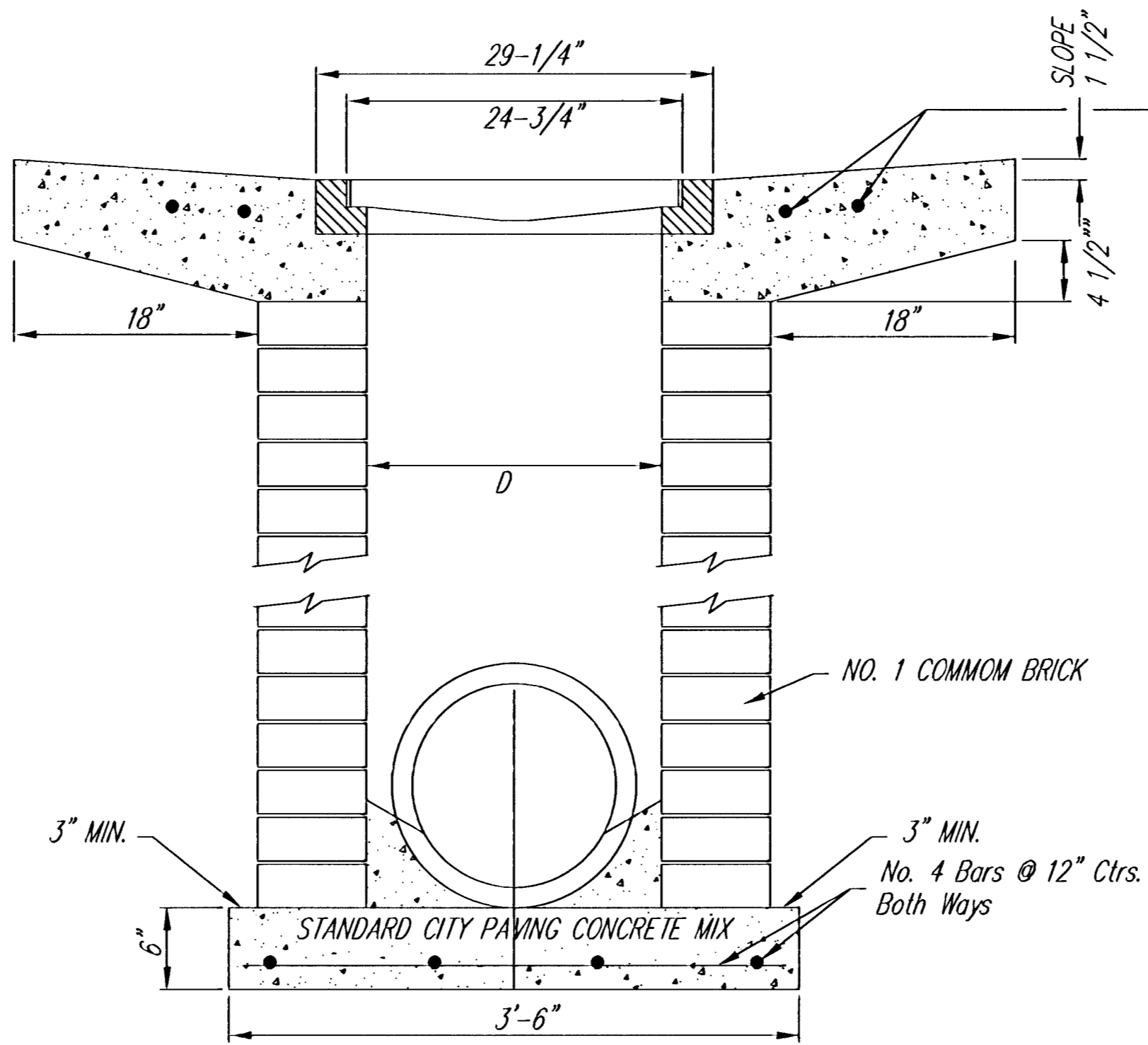
DEETER #2433 GRATE

24" x 24" Frame and Grate Detail



Double 24" x 24" Frame Detail

NOTE: Grates shall be imprinted on the top surface with "CITY OF WICHITA" using letters at least 1" in height. Other marking methods may be approved by the engineer.



DROP INLET SINGLE & COUBLE		
CITY ENGINEER JAMES L. ARMOUR, P.E., L.S.		
PROJECT NUMBER 1712 PPS	OCA NUMBER 607861	DATE 10/2006
CITY ENGINEER'S OFFICE CITY HALL - SEVENTH FLOOR 455 NORTH MAIN STREET WICHITA, KANSAS 67202-1620 (316) 268-4501 (316) 268-4114 FAX		DESIGN COW
		DRAWN COW
		SHEET 3 OF 6

REV. 8-20-01

ROAD INLET SINGLE & DOUBLE END