

EASEMENT GRADING DETAILS

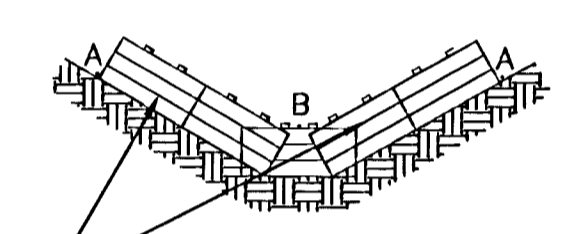
- = AREAS TO BE GRADED (AREA SHOWN REPRESENTS DITCH BOTTOM, SIDE SLOPES ARE NOT INCLUDED)
- = LOCATION FOR SEDIMENT CONTROL
- = LOCATION OF INLET SEDIMENT CONTROL
- = CURB INLET FILTER
- H.P. = HIGH POINT
- M.E. = MATCH EXISTING

**Graded widths and slopes may vary as approved by the Engineer to minimize conflict with existing trees.

Easement Grading will be bid on a lump sum basis for grading the easements to the profile and elevations shown on the Easement Grading Plan (this sheet). Approximate quantities of earthwork for easement grading are shown below. These approximate quantities are given for information only. The Contractor should verify the quantities when preparing the proposal.

Cut 510 C.Y. (Approximate)
Fill 0 C.Y. (Approximate)

END POINTS "A" MUST BE HIGHER THAN FLOW LINE POINT "B"

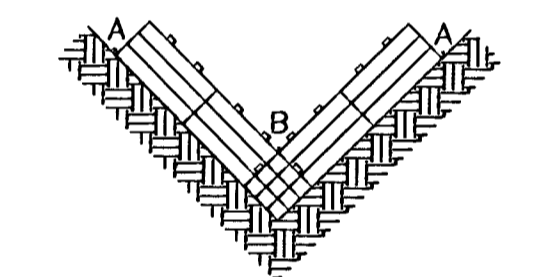


OVERLAP SIDE BALES ON FLOW LINE BALES TO PREVENT GAPS

18 INCH BY 36 INCH BALES	VALUE OF Z	MINIMUM NUMBERS OF BALES
	10 OR <	1**
	10-35	2**
	35-50	3**
	50-70	4**
	70 OR >	NOT RECOMMENDED

** ASSUMES DEPTH OF WATER ABOVE POINT "B" WILL NOT EXCEED 6 INCHES

END POINTS "A" MUST BE HIGHER THAN FLOW LINE POINT "B"



BALES MUST BE TIGHTLY ABUTTING WITH NO GAPS

ONE OR MORE BALES IN CHANNEL BED TIGHTLY ABUTTING EACH OTHER

BALES MUST BE TIGHTLY ABUTTING WITH NO GAPS

ALTERNATIVE LOCATION OF FLOW LINE BALES(S)

PLACE DOWNSTREAM BALES SUCH THAT POINT "B" IS APPROXIMATELY LEVEL WITH THE LOWEST GROUND ELEVATION OF THE UPSTREAM BALE

PLACE DOWNSTREAM BALES SUCH THAT POINT "B" IS APPROXIMATELY LEVEL WITH THE LOWEST GROUND ELEVATION OF THE UPSTREAM BALE

PLACE DOWNSTREAM BALES SUCH THAT POINT "B" IS APPROXIMATELY LEVEL WITH THE LOWEST GROUND ELEVATION OF THE UPSTREAM BALE

PLACE DOWNSTREAM BALES SUCH THAT POINT "B" IS APPROXIMATELY LEVEL WITH THE LOWEST GROUND ELEVATION OF THE UPSTREAM BALE

PLACE DOWNSTREAM BALES SUCH THAT POINT "B" IS APPROXIMATELY LEVEL WITH THE LOWEST GROUND ELEVATION OF THE UPSTREAM BALE

PLACE DOWNSTREAM BALES SUCH THAT POINT "B" IS APPROXIMATELY LEVEL WITH THE LOWEST GROUND ELEVATION OF THE UPSTREAM BALE

PLACE DOWNSTREAM BALES SUCH THAT POINT "B" IS APPROXIMATELY LEVEL WITH THE LOWEST GROUND ELEVATION OF THE UPSTREAM BALE

PLACE DOWNSTREAM BALES SUCH THAT POINT "B" IS APPROXIMATELY LEVEL WITH THE LOWEST GROUND ELEVATION OF THE UPSTREAM BALE

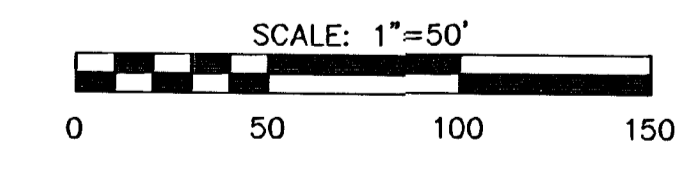
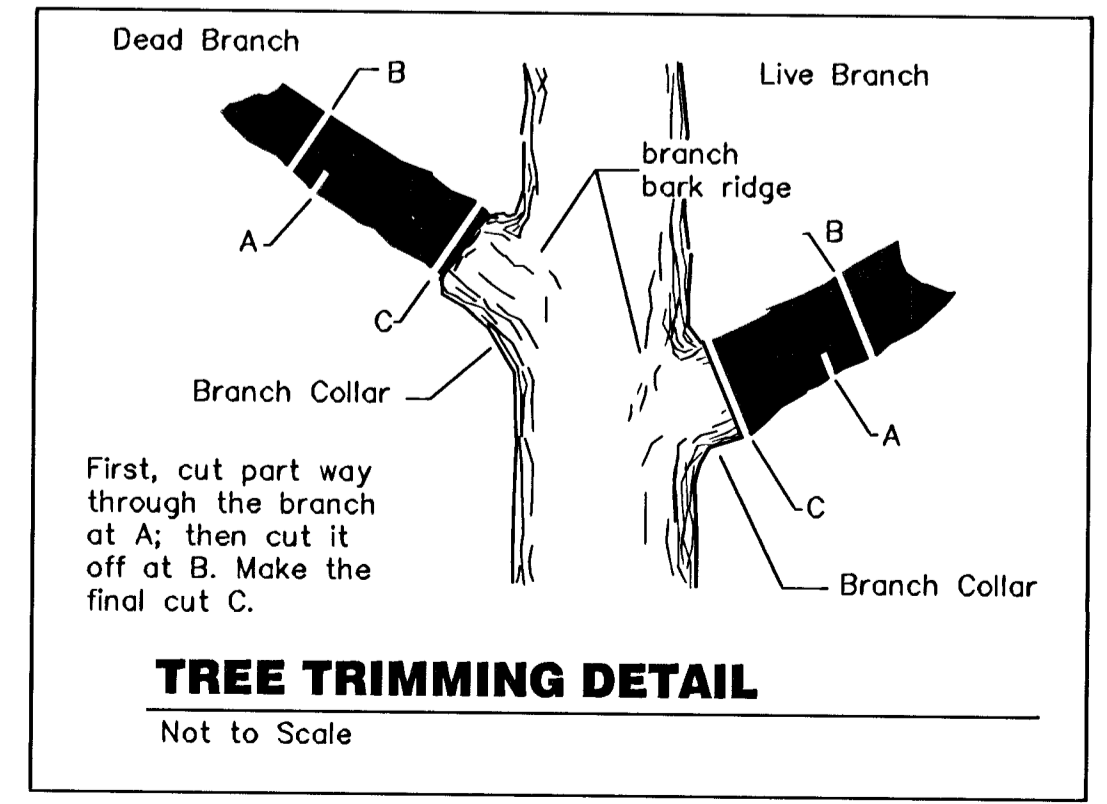
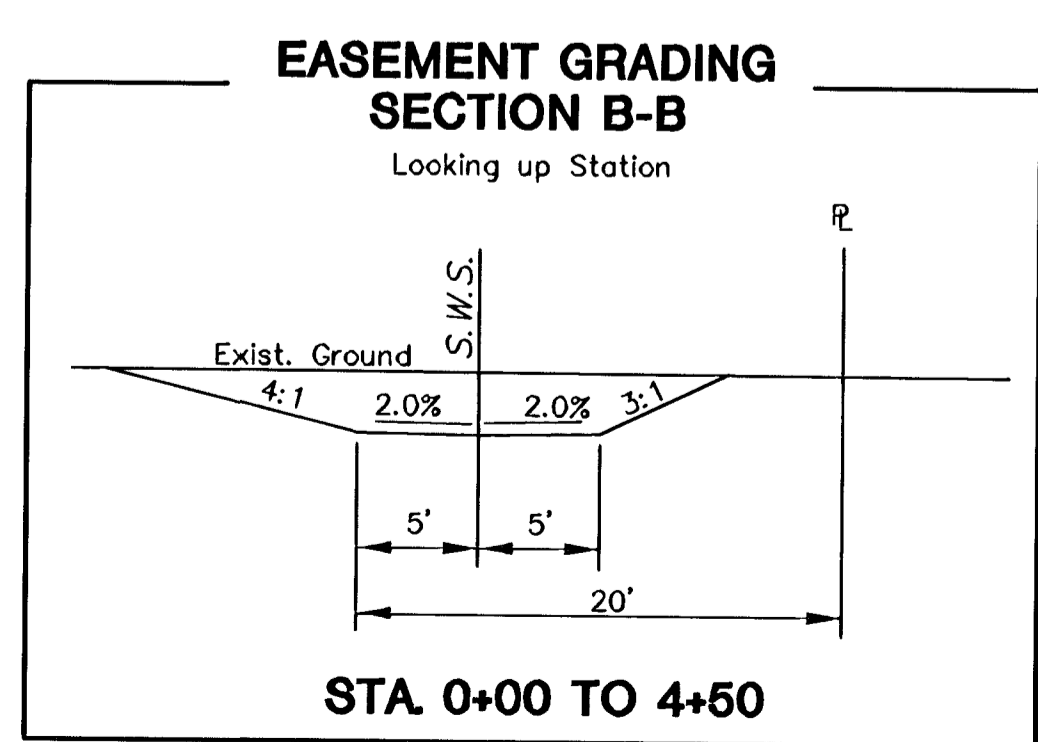
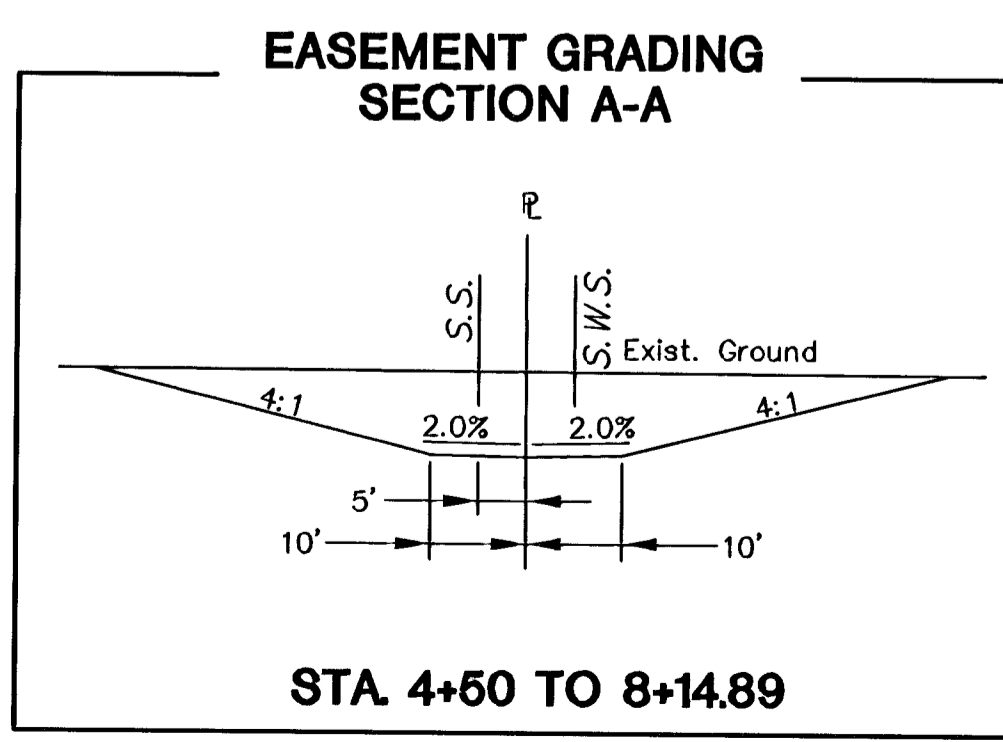
PLACE DOWNSTREAM BALES SUCH THAT POINT "B" IS APPROXIMATELY LEVEL WITH THE LOWEST GROUND ELEVATION OF THE UPSTREAM BALE

PLACE DOWNSTREAM BALES SUCH THAT POINT "B" IS APPROXIMATELY LEVEL WITH THE LOWEST GROUND ELEVATION OF THE UPSTREAM BALE

PLACE DOWNSTREAM BALES SUCH THAT POINT "B" IS APPROXIMATELY LEVEL WITH THE LOWEST GROUND ELEVATION OF THE UPSTREAM BALE

PLACE DOWNSTREAM BALES SUCH THAT POINT "B" IS APPROXIMATELY LEVEL WITH THE LOWEST GROUND ELEVATION OF THE UPSTREAM BALE

PLACE DOWNSTREAM BALES SUCH THAT POINT "B" IS APPROXIMATELY LEVEL WITH THE LOWEST GROUND ELEVATION OF THE UPSTREAM BALE



H:\CIVIL\01077\DWG\SWS\2ND_ADD\PH2\01077DD4



PINE MEADOW SECOND ADDITION PHASE 2
PROJECT NAME

EASEMENT GRADING PLAN
SHEET TITLE

DESIGN BY: DFL DRAWN BY: KKL CHECKED BY: GJA

DATE: NOVEMBER 2003 JOB NO.: 01077DD4 SHEET OF: 12 / 20