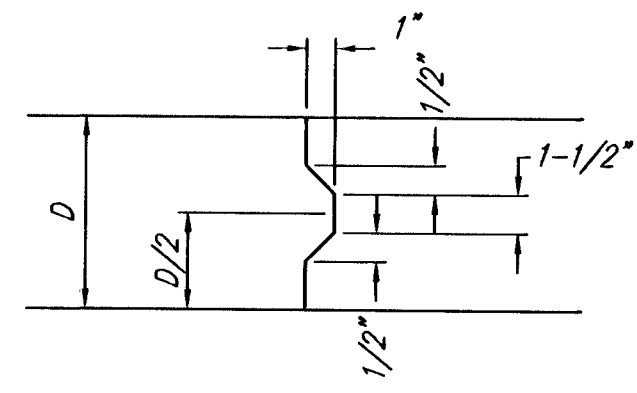
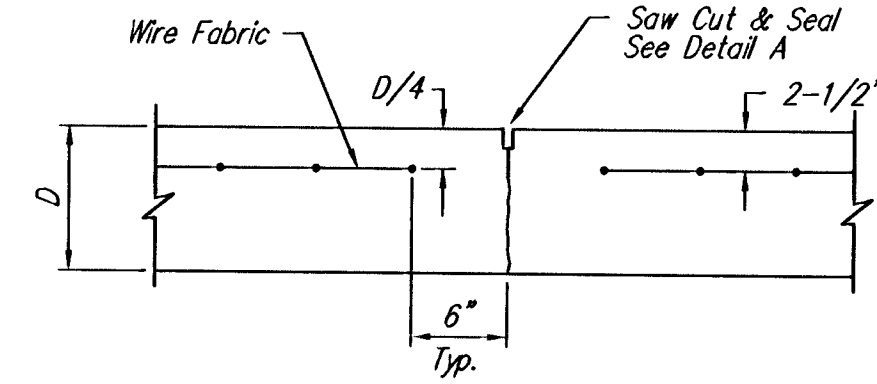


EXPANSION JOINT

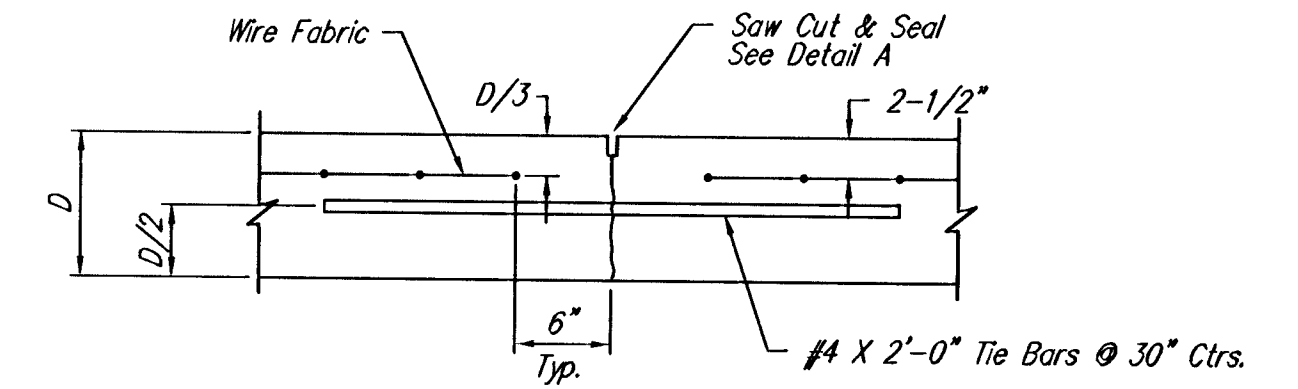
NOTE: Extra Thickness to be Subsidiary to Price of Square Yards Pavement



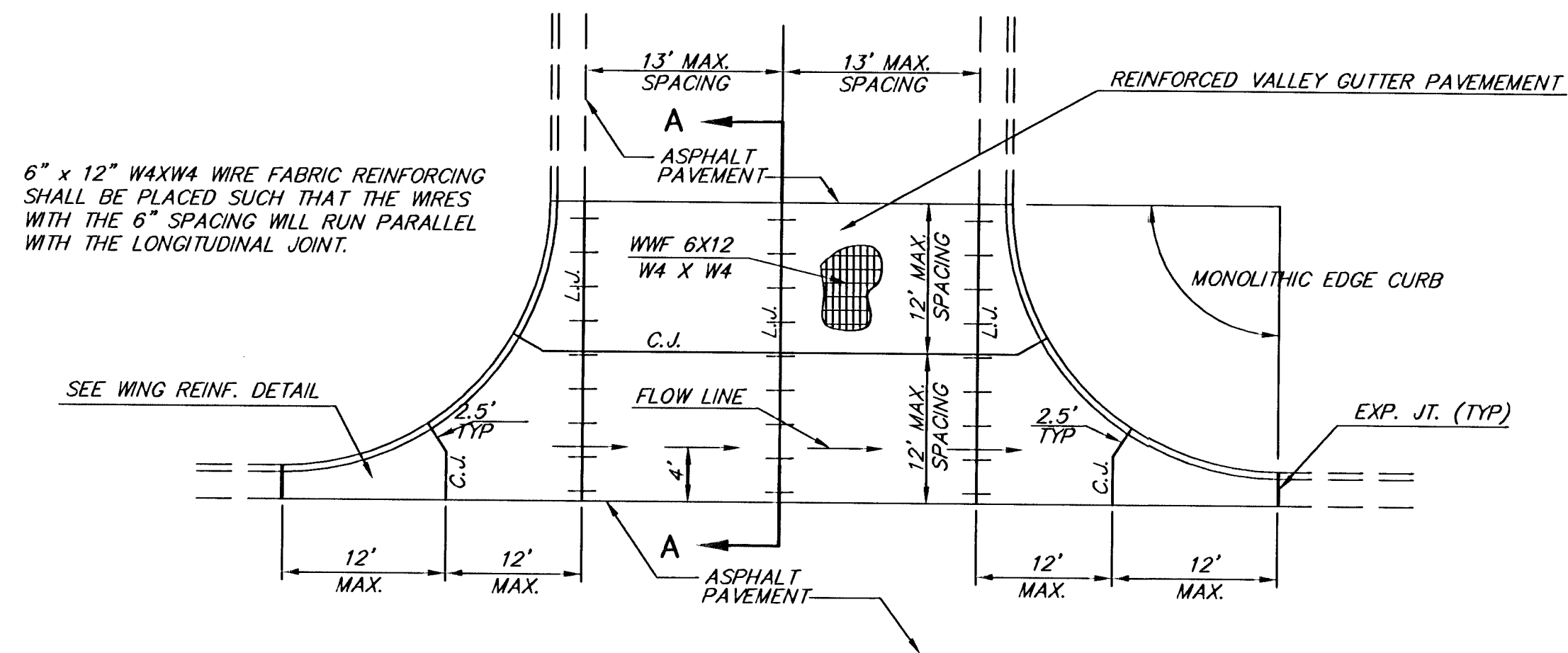
KEYWAY DETAIL



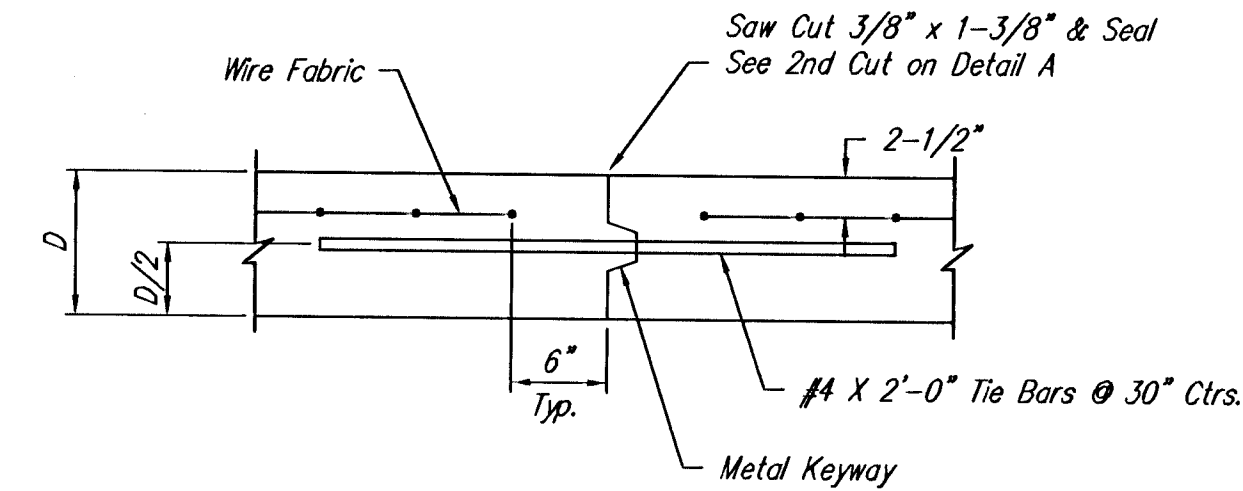
CONTRACTION JOINT DETAIL (C.J.)



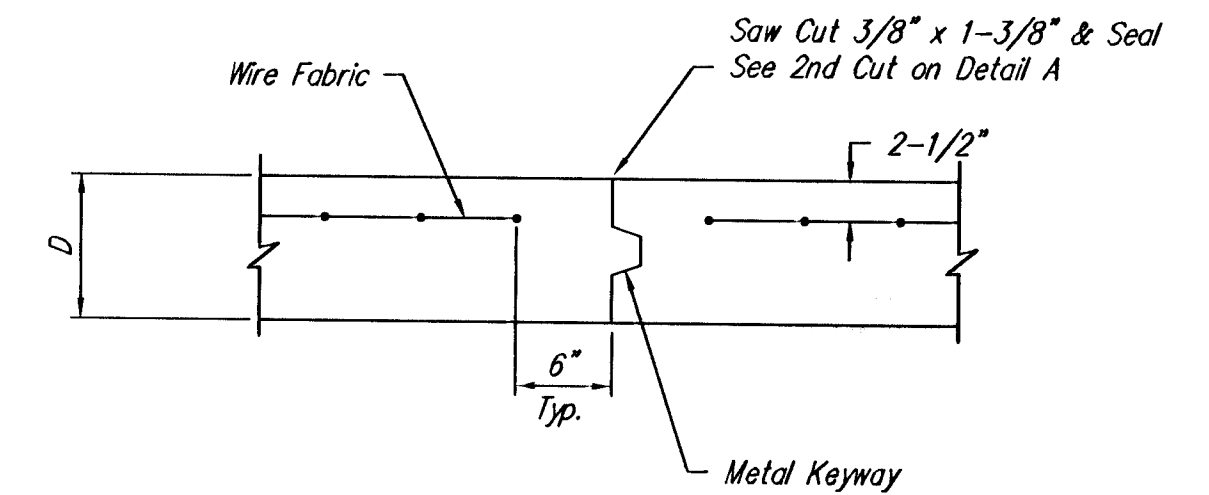
LONGITUDINAL JOINT DETAIL (L.J.)



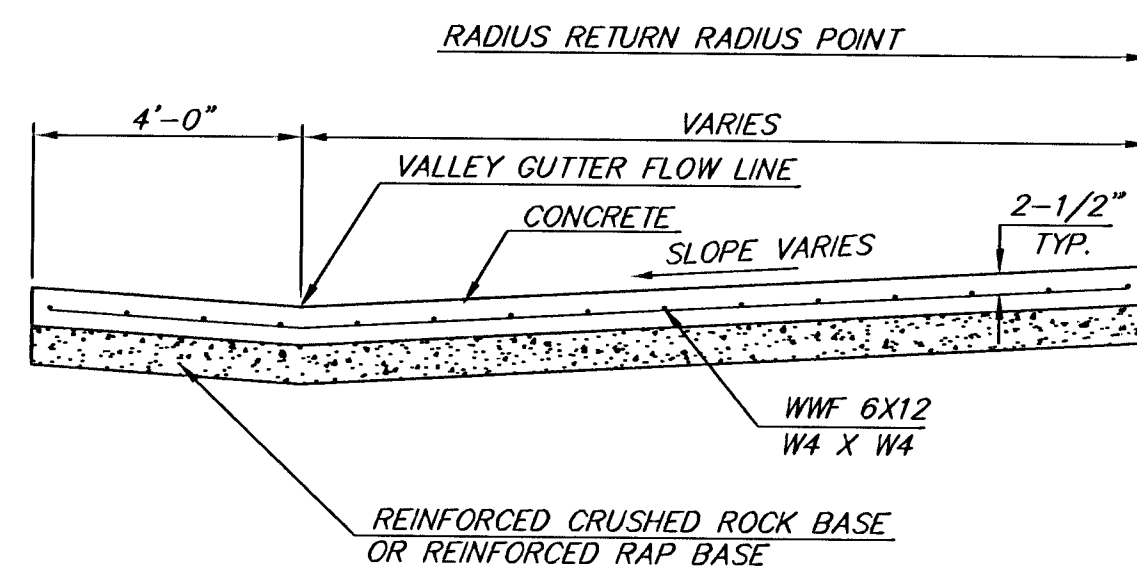
PLAN



OPTIONAL LONGITUDINAL JOINT DETAIL (L.J.)

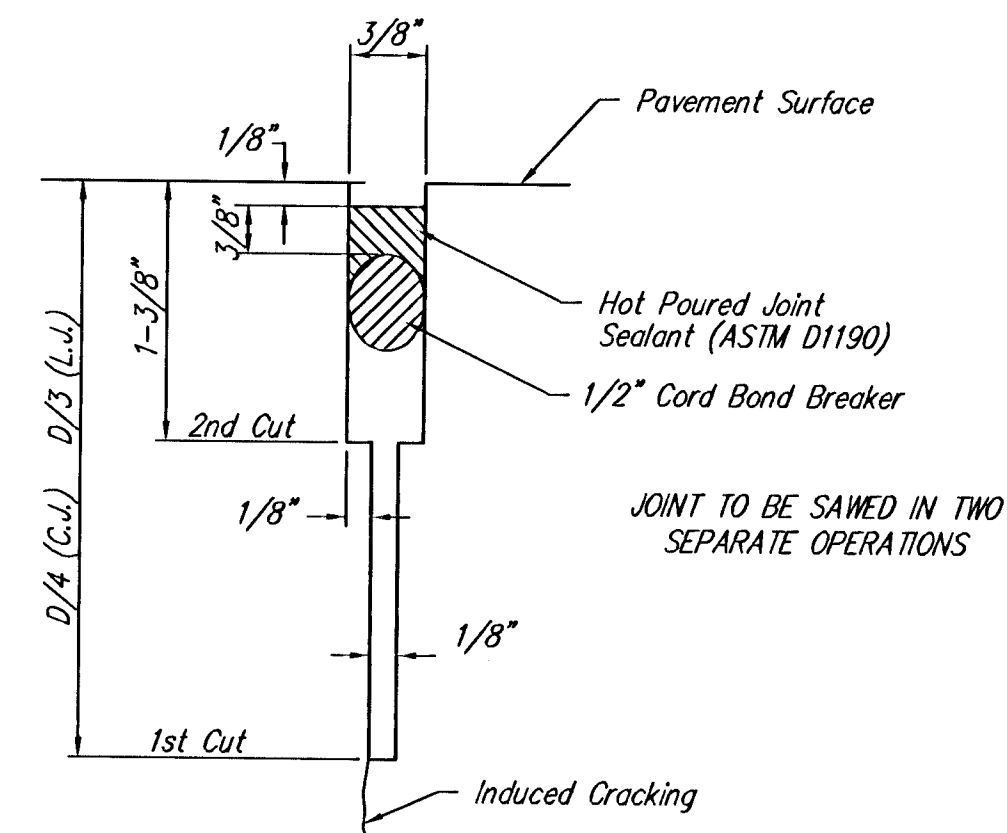


OPTIONAL CONTRACTION JOINT

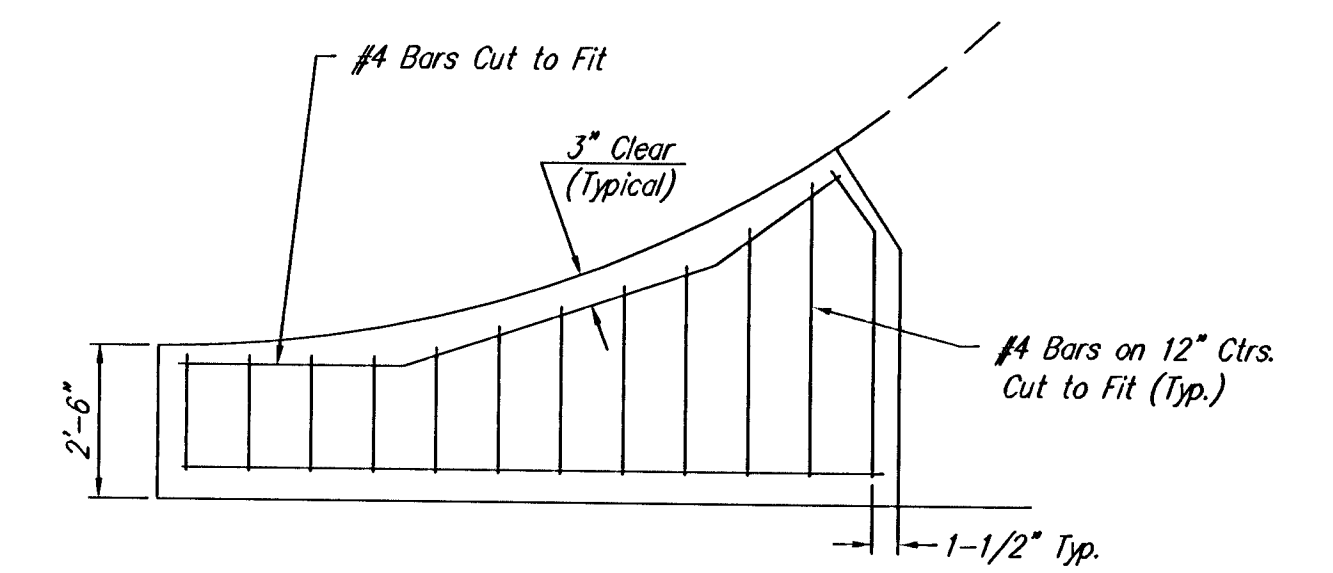


SECTION A-A

REINFORCED VALLEY GUTTER DETAIL



SAW JOINT DETAIL



WING REINFORCING DETAIL

H:\GWL\02121\PAV\PHASE4\02121ED3

<p>THE CITY OF WICHITA</p>		VALLEY GUTTER DETAILS	
		NEIL D. CABLE, P.E. - CITY ENGINEER	
CITY ENGINEER'S OFFICE 455 NORTH MAIN STREET WICHITA, KANSAS 67202 (316) 268-4551 (316) 268-4114 FAX		PROJECT NUMBER 472-83760	OCA NUMBER 765796
DATE JUL 03	SHEET 3 OF 18		