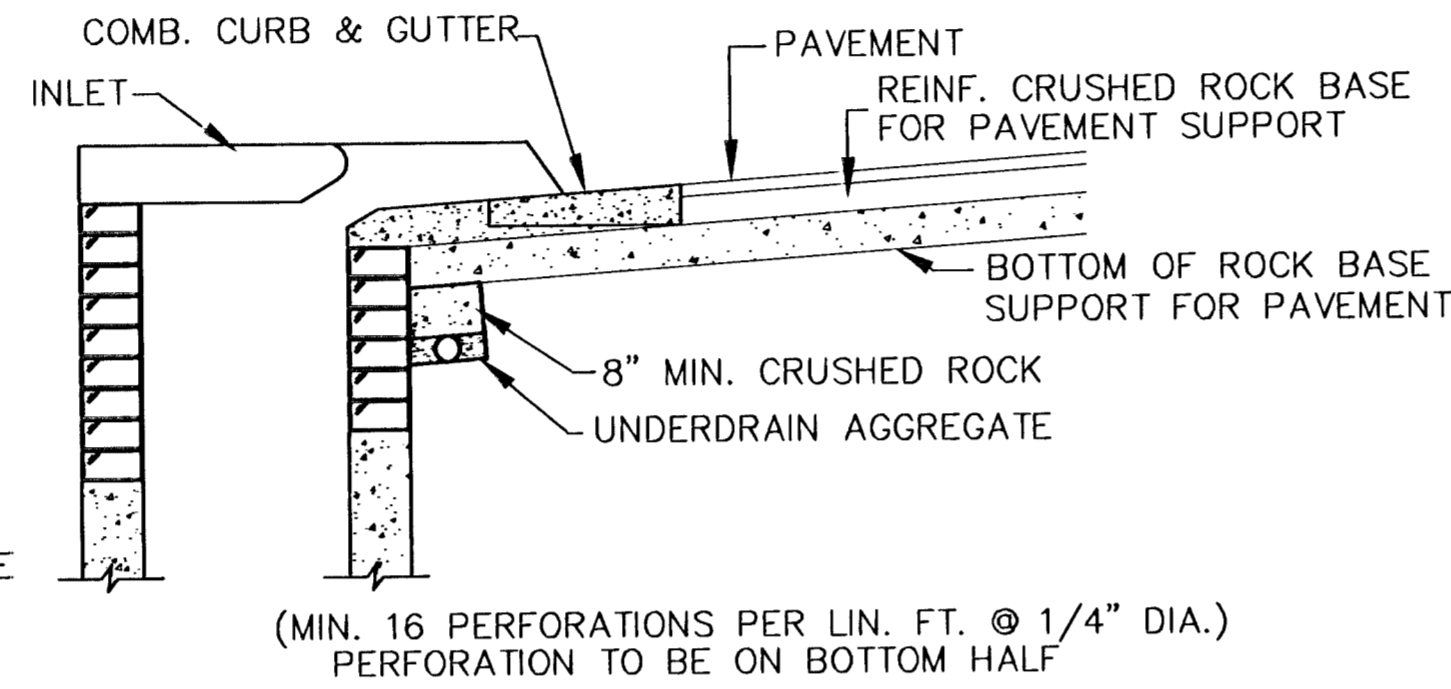


* UNDERDRAIN AGGREGATE PERCENT OF AGGREGATE RETAINED

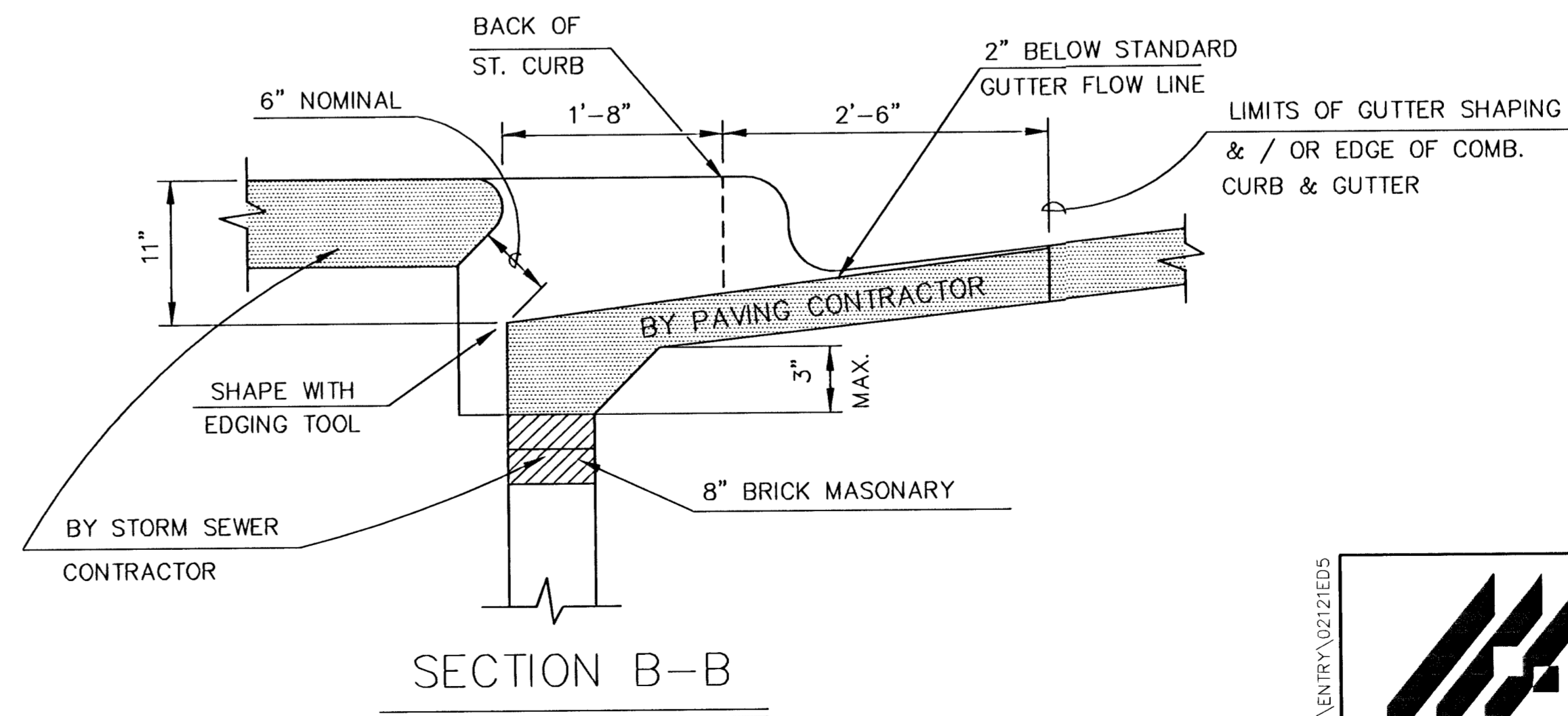
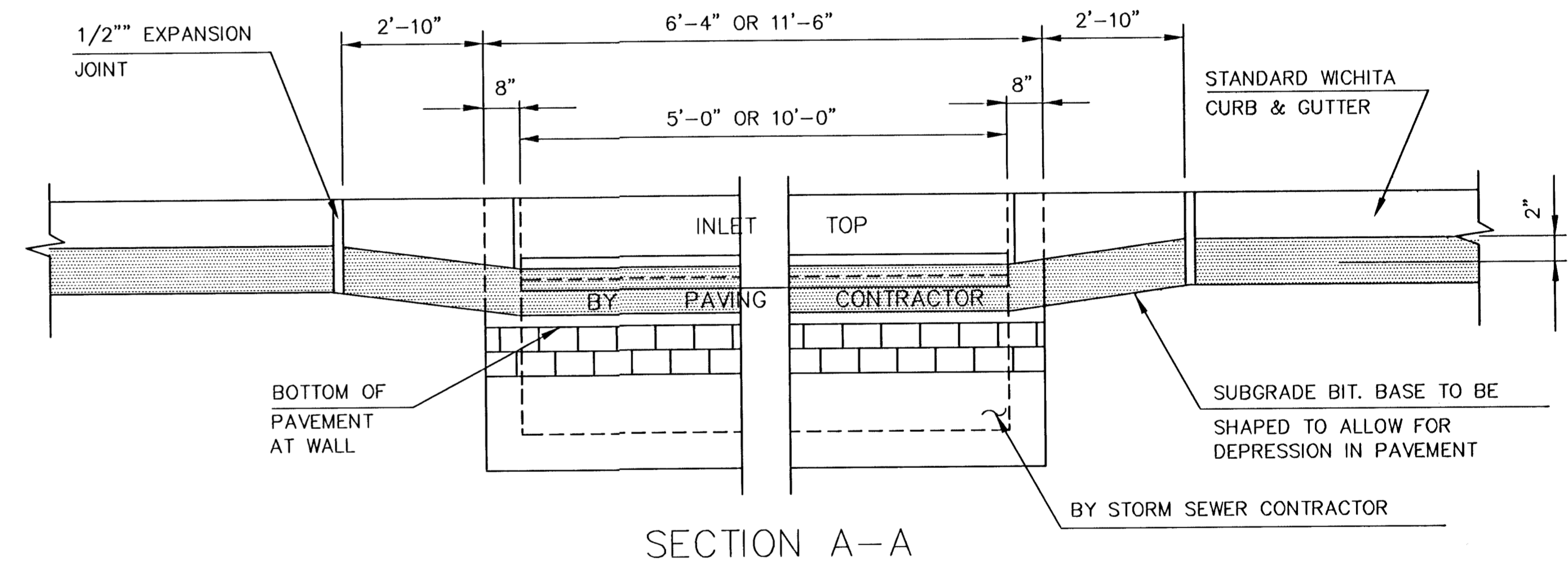
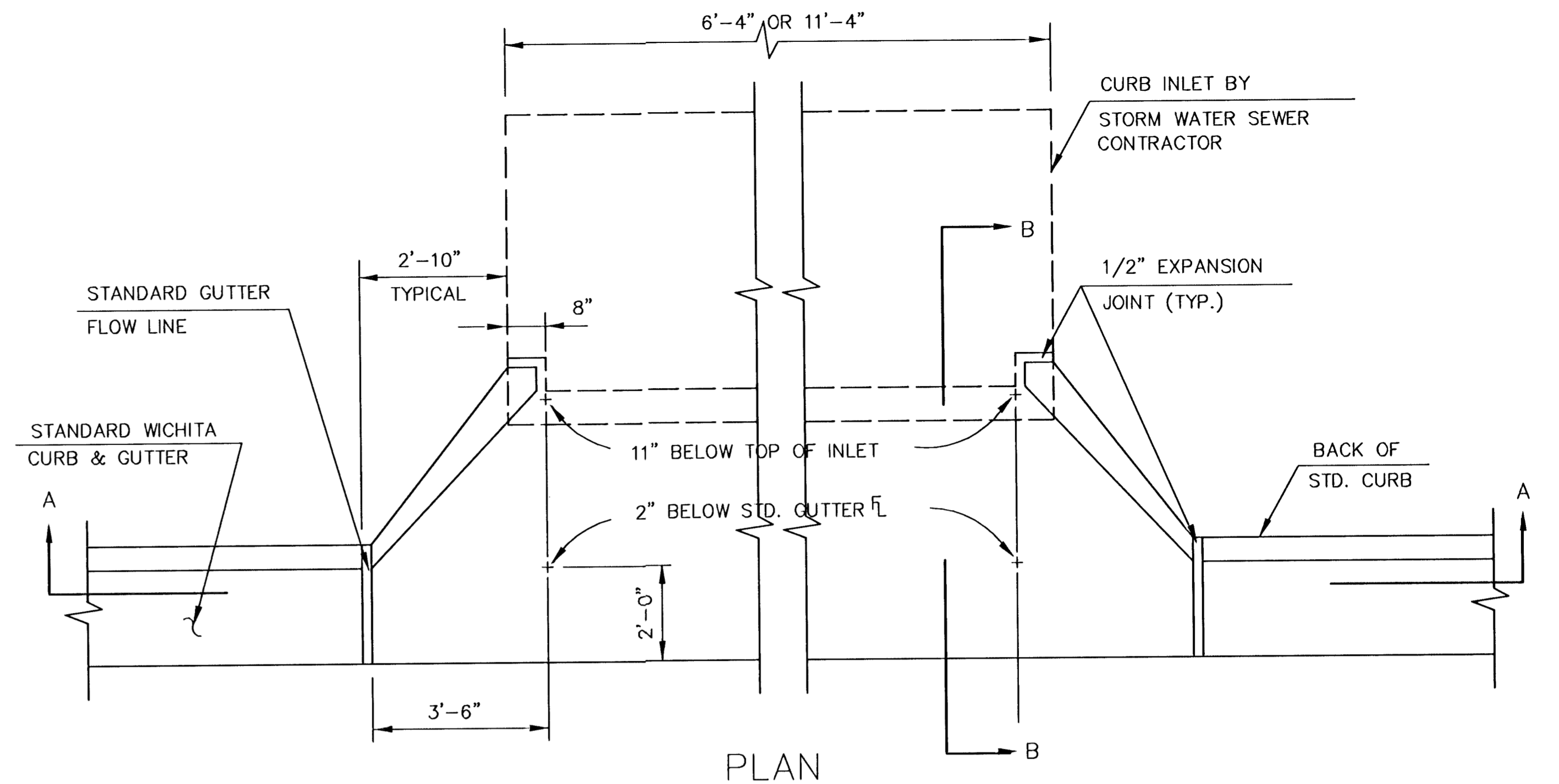
1"	0
3/4"	0 to 10
3/8"	45 to 80
#4	90 to 100
#8	95 to 100

ROCK QUALITY SHALL CONFORM TO THE REQUIREMENTS SPECIFIED BY K.D.O.T. 1990 EDITION STANDARD SPECIFICATION SUBSECTION 1102 FOR DURABILITY CLASS 1.



NOTE: PLACE 4" PVC PERFORATED PIPE AT ALL DRAINAGE SUMP LOCATIONS. COST OF UNDERDRAIN SYSTEM TO BE INCIDENTAL TO THE REINFORCED CRUSHED ROCK SUBGRADE. INLET TYPE MAY VARY FROM THAT SHOWN.

PAVEMENT UNDERDRAIN DETAIL



TYPE 1A INLET HOOKUP

(BY PAVING CONTRACTOR)

GENERAL NOTES

- USE THE CONCRETE MIX SPECIFIED FOR CITY OF WICHITA CONCRETE PAVEMENT. ALL EXPOSED EDGES SHALL BE FINISHED WITH AN EDGING TOOL.
- TYPE 1A INLET HOOKUP WILL BE PAID EACH REGARDLESS OF SIZE.
- ADDITIONAL CURB & GUTTER CONSTRUCTION NECESSARY TO CONNECT SET BACK INLET TO PAVEMENT WILL BE PAID FOR AT THE UNIT PRICE BID FOR EACH INLET HOOKUP. (BY PAVING CONTRACTOR)

F:\CIVIL\02121\DWG\PAV\ENTRY\02121E05



REED'S COVE ADDITION
PROJECT NAME

INLET HOOK UP & UNDERDRAIN DETAILS
SHEET TITLE

DFL DESIGN BY: DMU DRAWN BY: GJA CHECKED BY:

JULY 2003 DATE: 02167 DRAWING NAME: 5 / 18 SHEET / OF