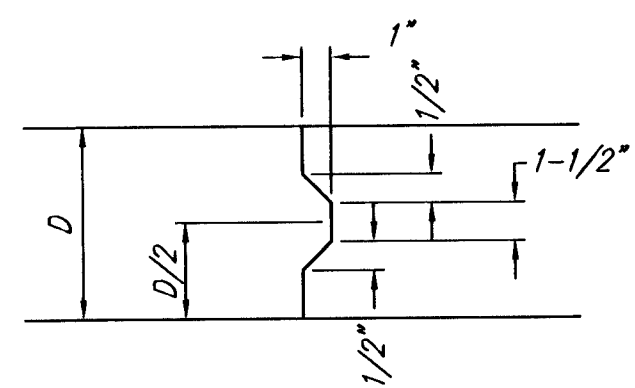
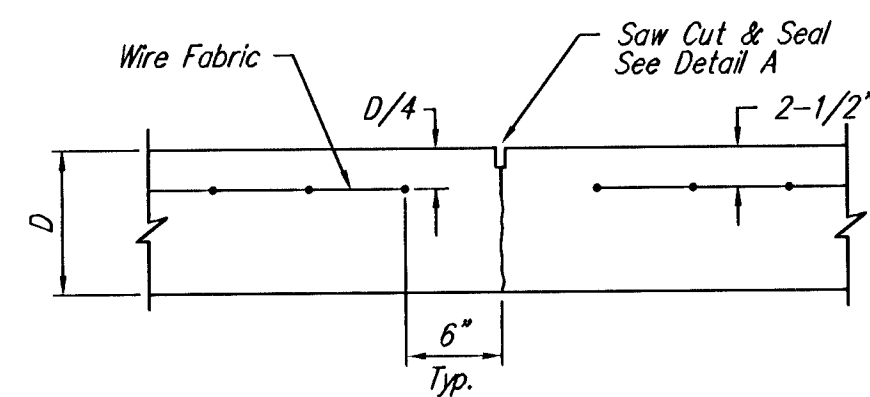


EXPANSION JOINT

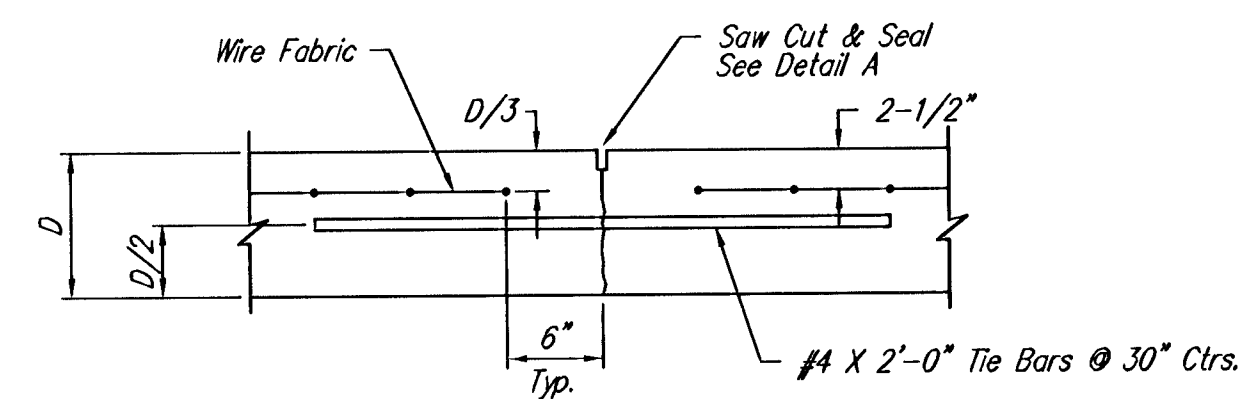
NOTE: Extra Thickness to be Subsidiary to Price of Square Yards Pavement



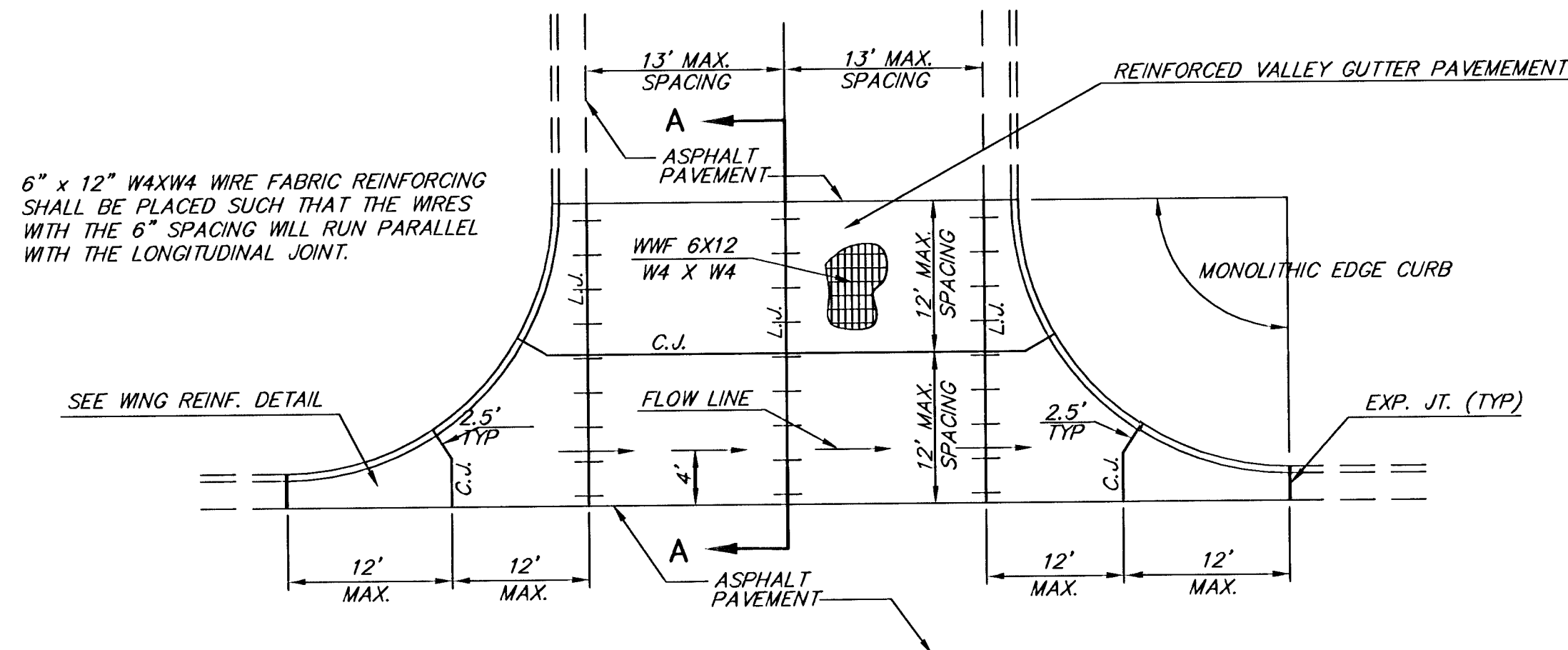
KEYWAY DETAIL



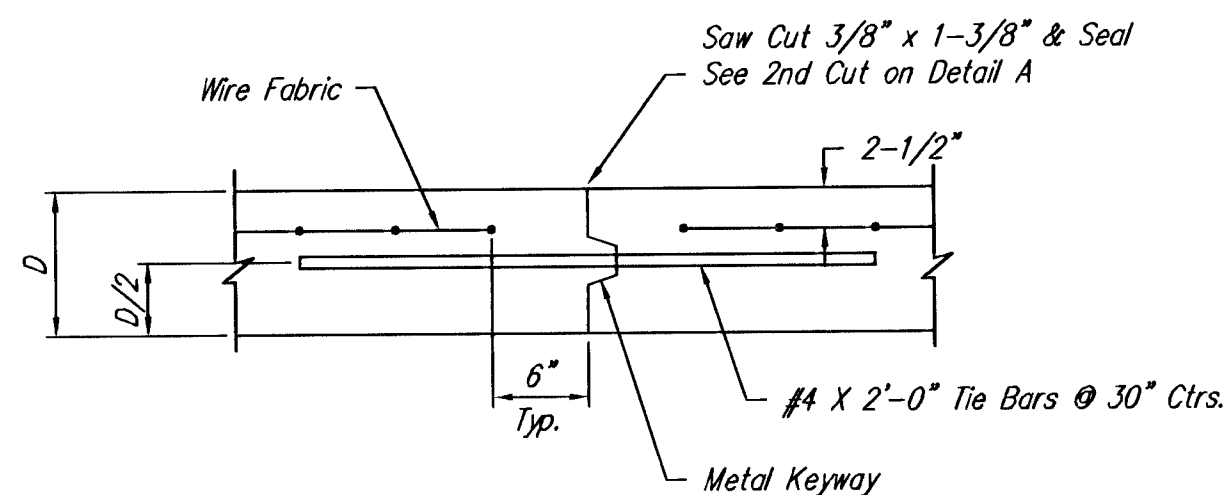
CONTRACTION JOINT DETAIL (C.J.)



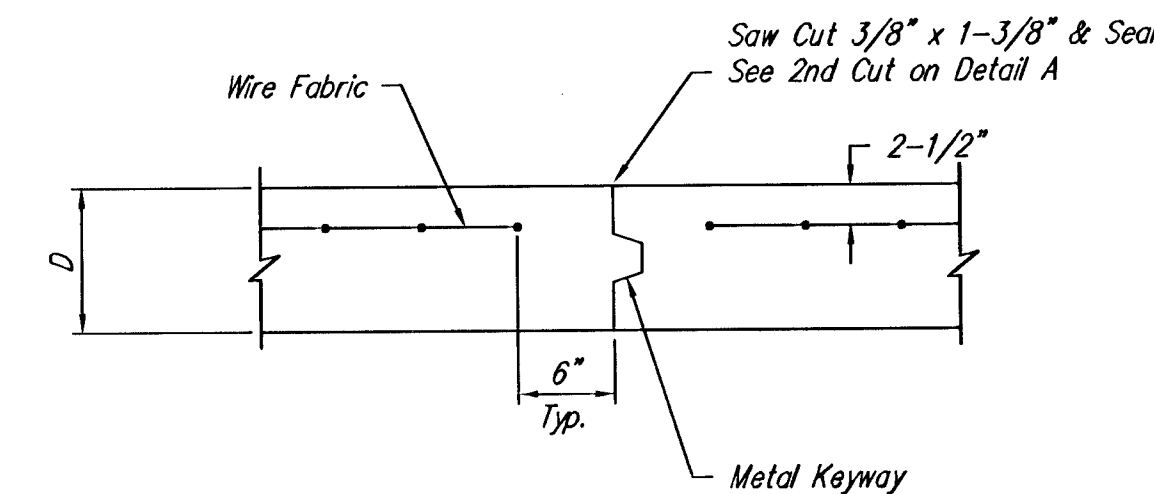
LONGITUDINAL JOINT DETAIL (L.J.)



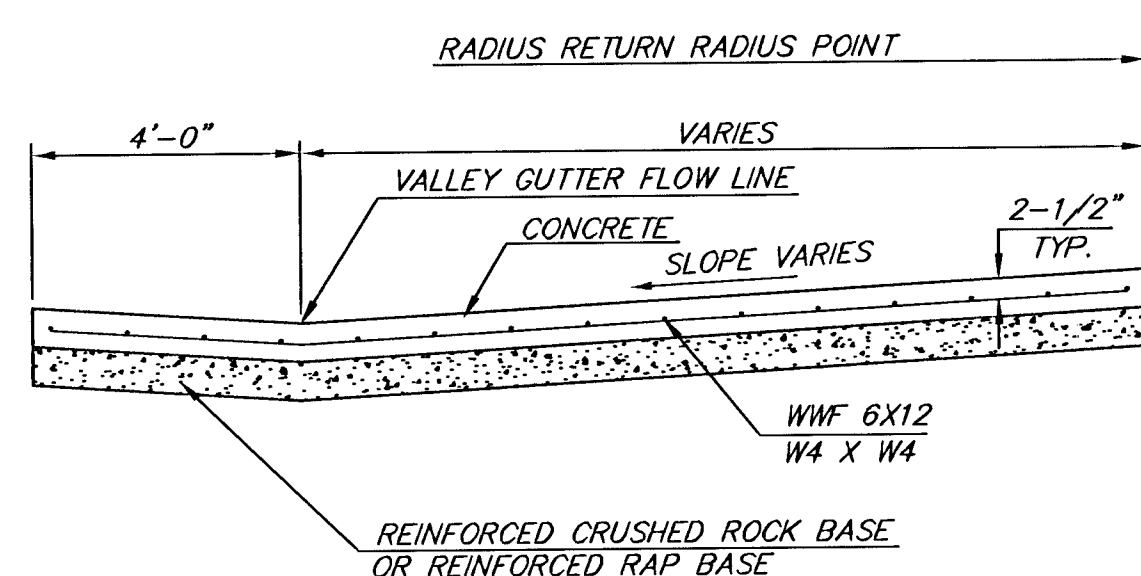
PLAN



OPTIONAL CONTRACTION JOINT DETAIL (L.J.)

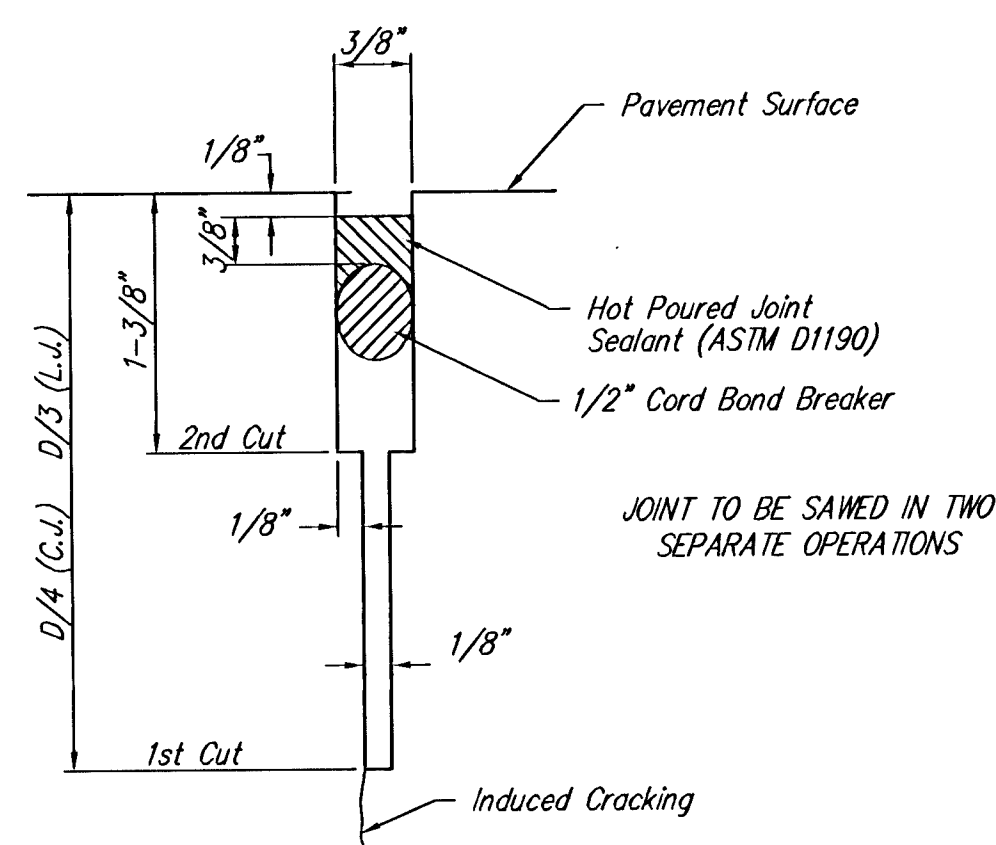


OPTIONAL LONGITUDINAL JOINT DETAIL (L.J.)

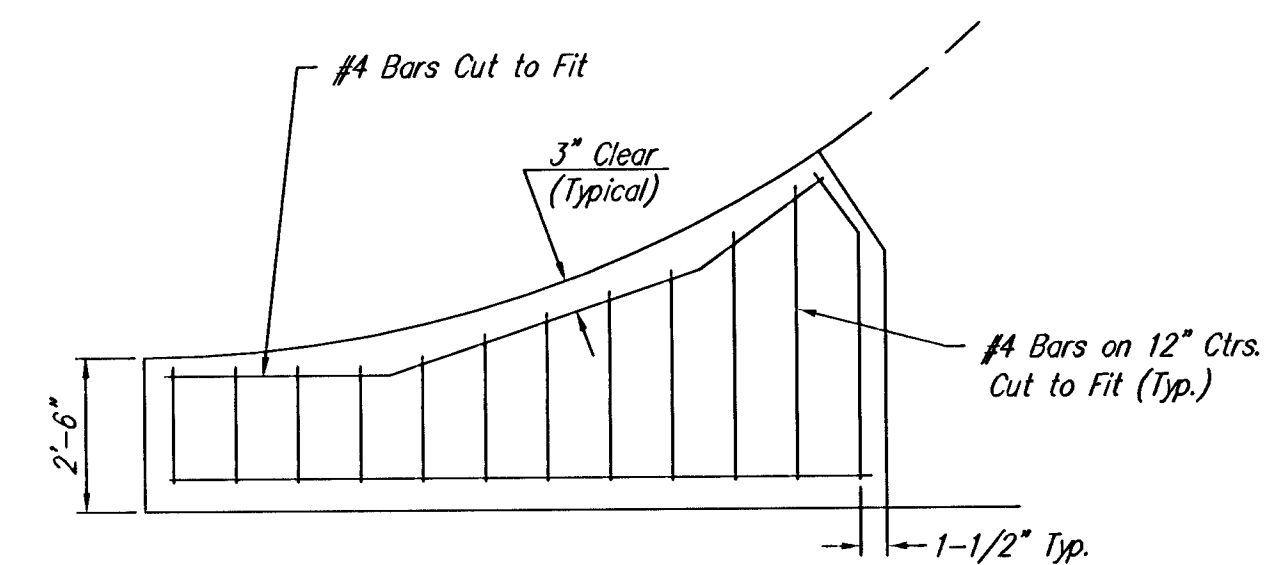


SECTION A-A

REINFORCED VALLEY GUTTER DETAIL



SAW JOINT DETAIL



WING REINFORCING DETAIL

H:\CIVIL\02121\PAV\PHASE4\02121ED3

		VALLEY GUTTER DETAILS	
		NEIL D. CABLE, P.E. - CITY ENGINEER	
CITY ENGINEER'S OFFICE 455 NORTH MAIN STREET WICHITA, KANSAS 67202 (316) 268-4201 (316) 268-4114 FAX		PROJECT NUMBER 472-83770	OCA NUMBER 765823
DATE JUL 03	SHEET 4 OF 22		