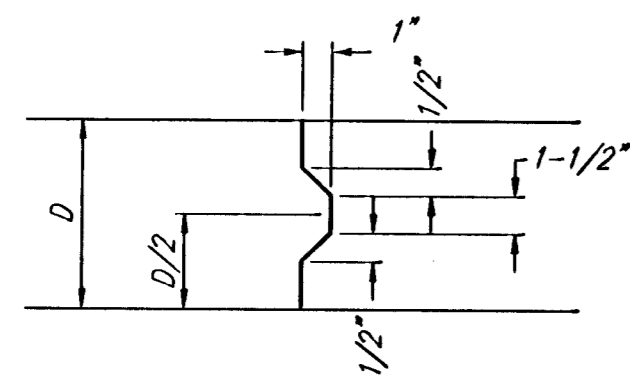
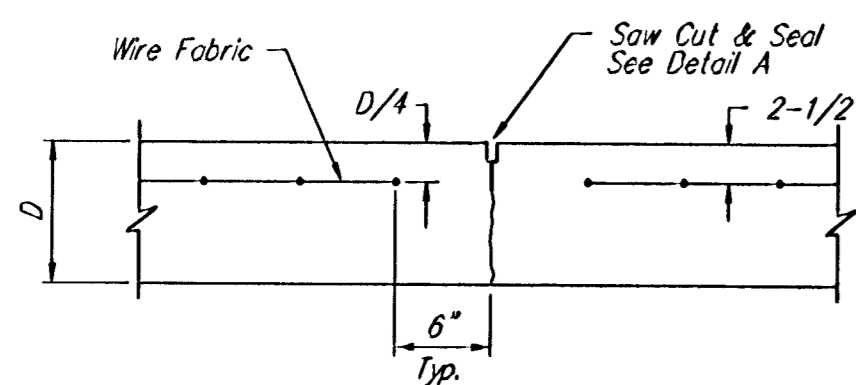


EXPANSION JOINT

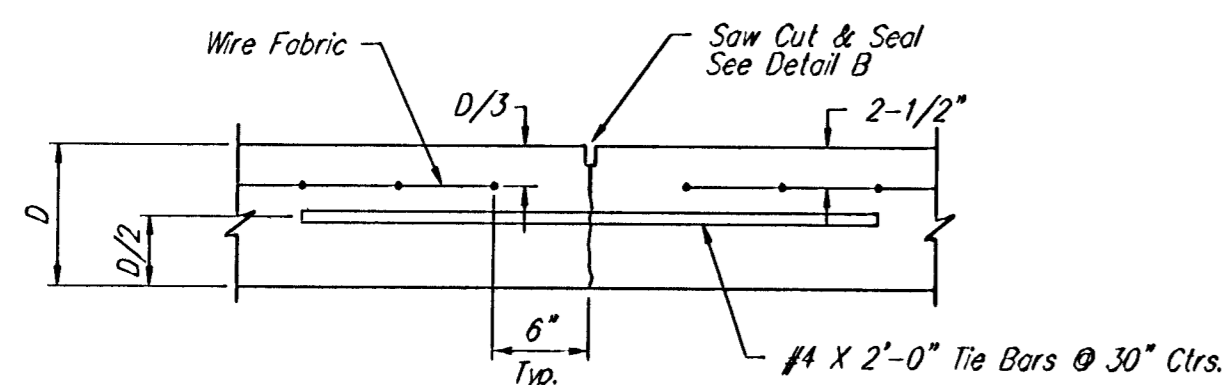
NOTE: Extra Thickness to be Subsidiary to Price of Square Yards Pavement



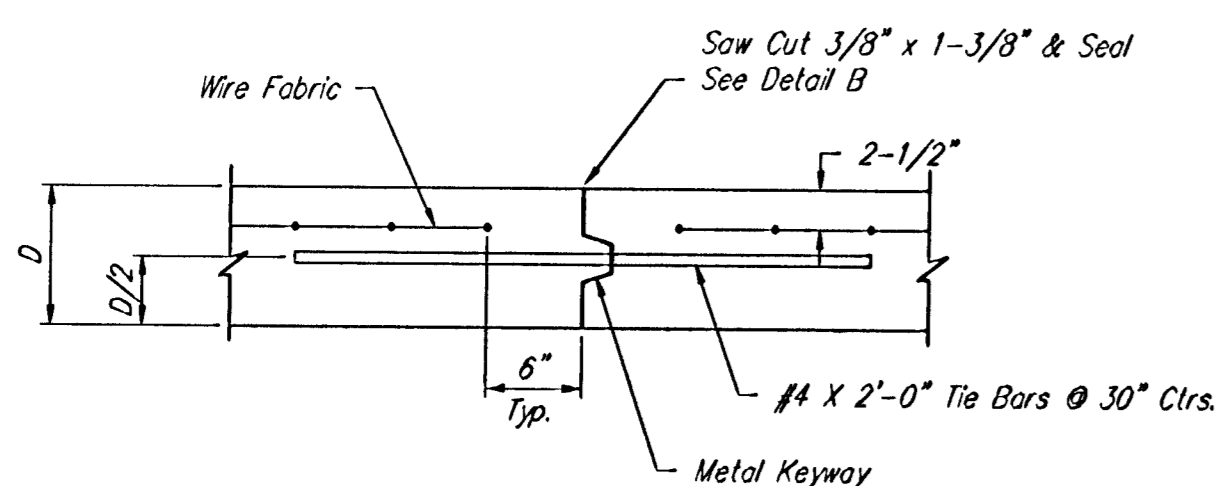
KEYWAY DETAIL



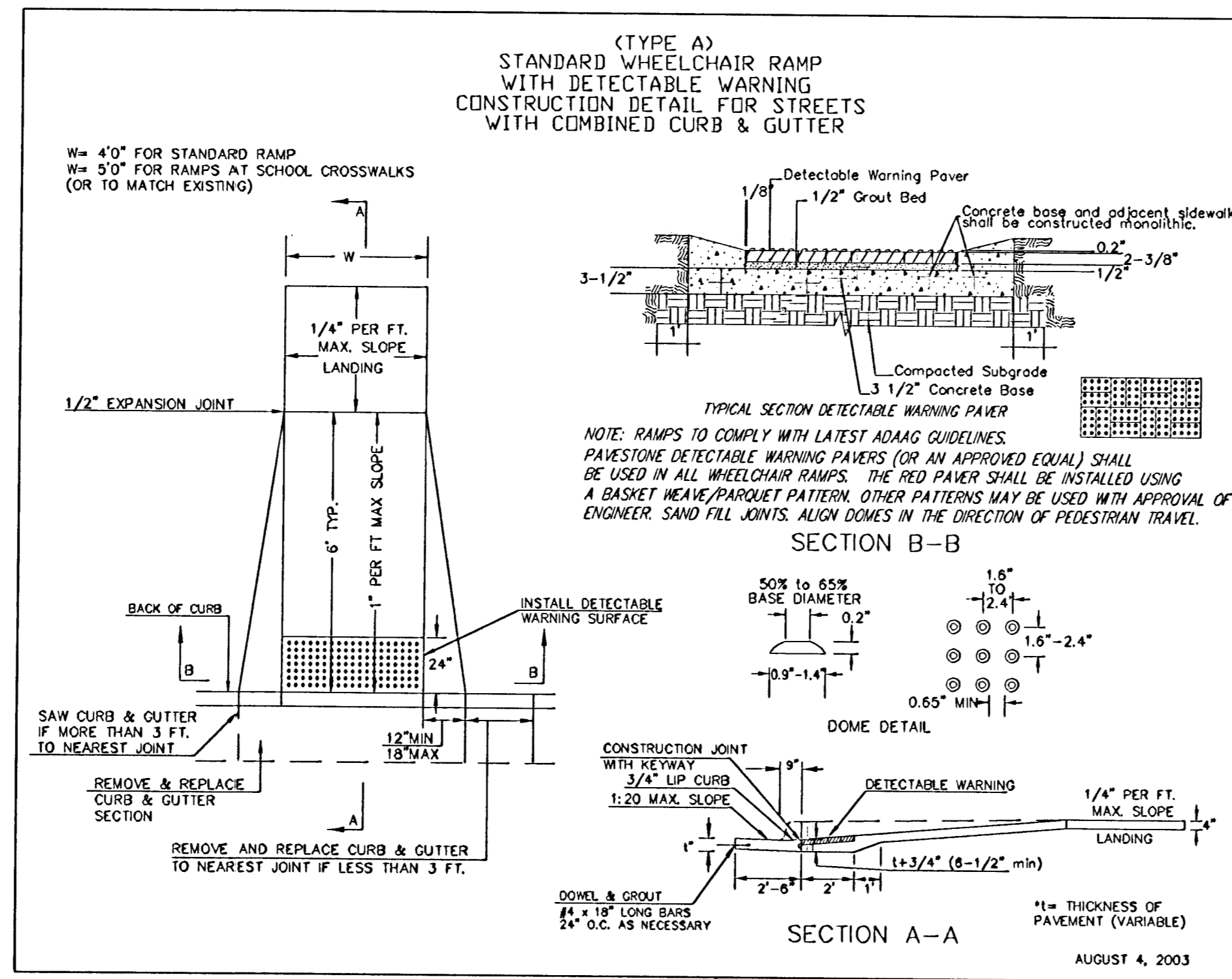
CONTRACTION JOINT DETAIL (C.J.)



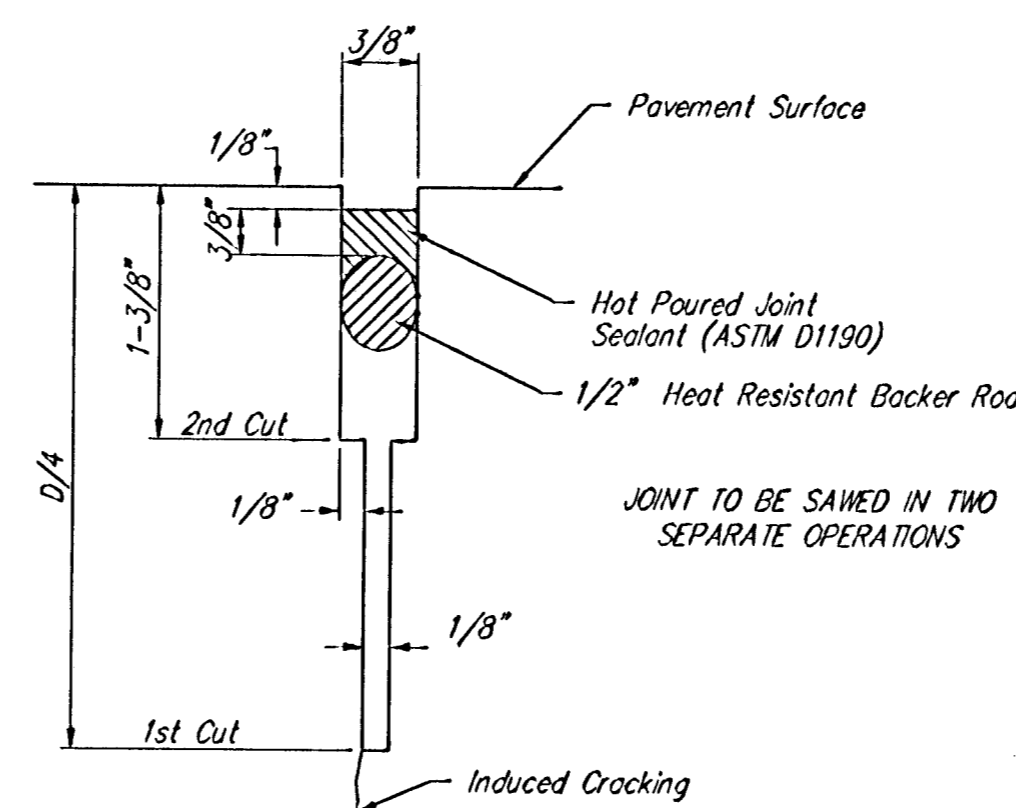
LONGITUDINAL JOINT DETAIL (L.J.)



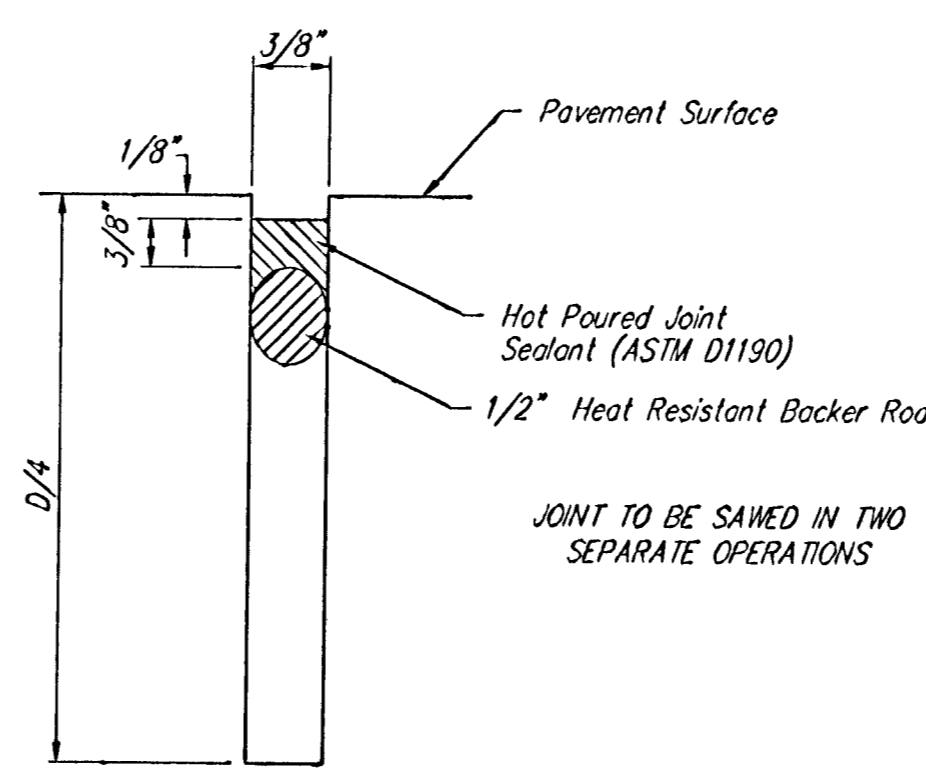
OPTIONAL LONGITUDINAL JOINT DETAIL (L.J.) (CONSTRUCTION JOINT)



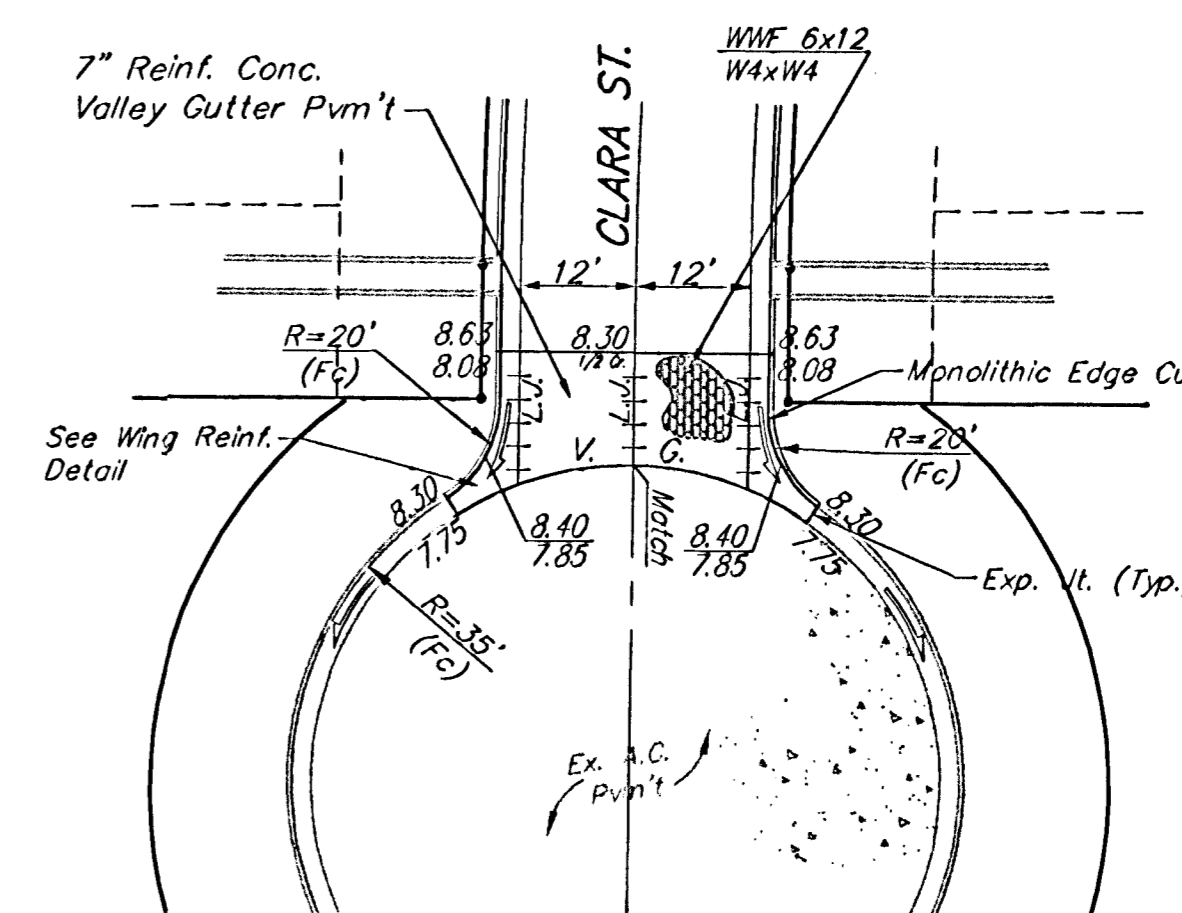
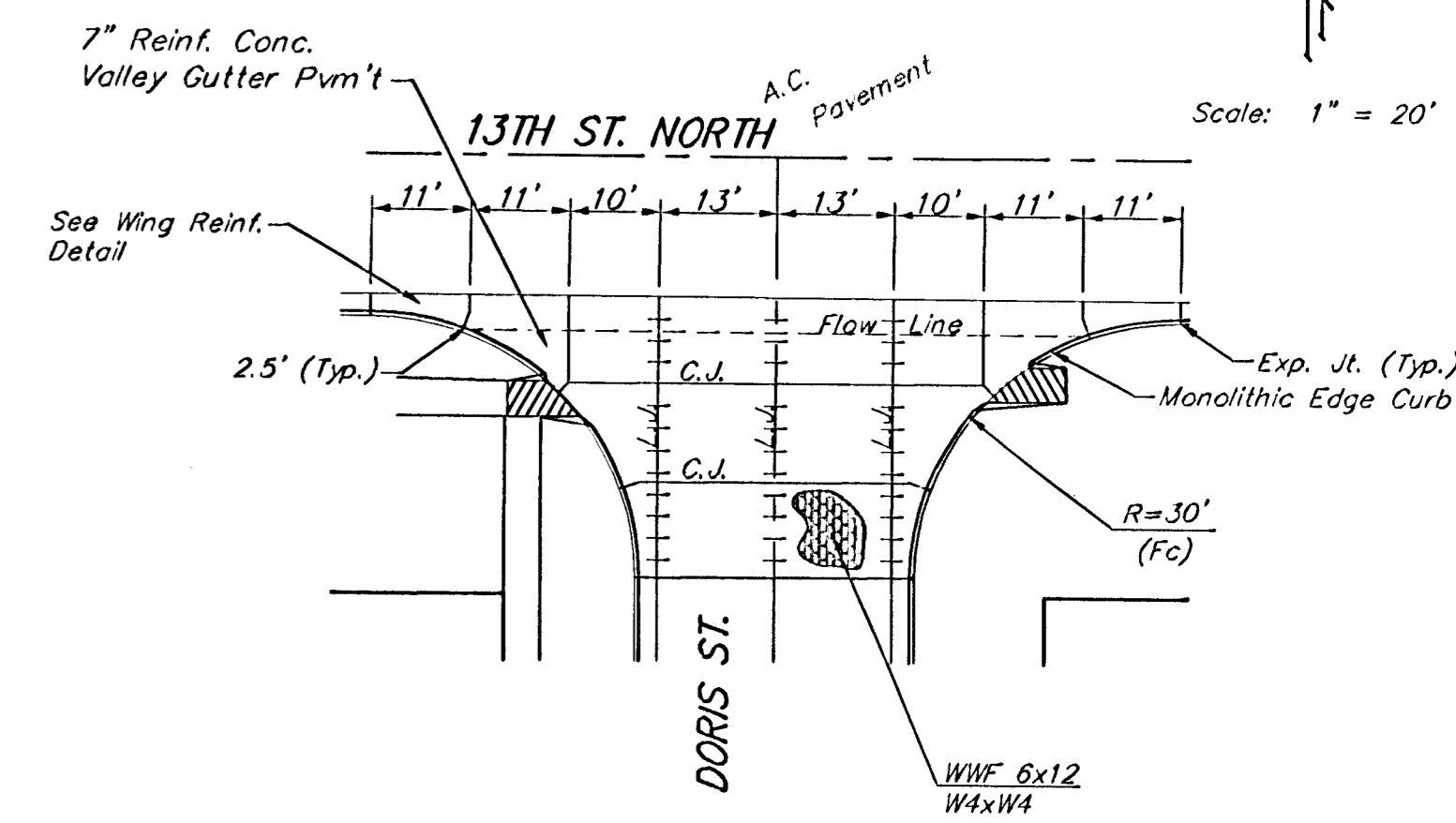
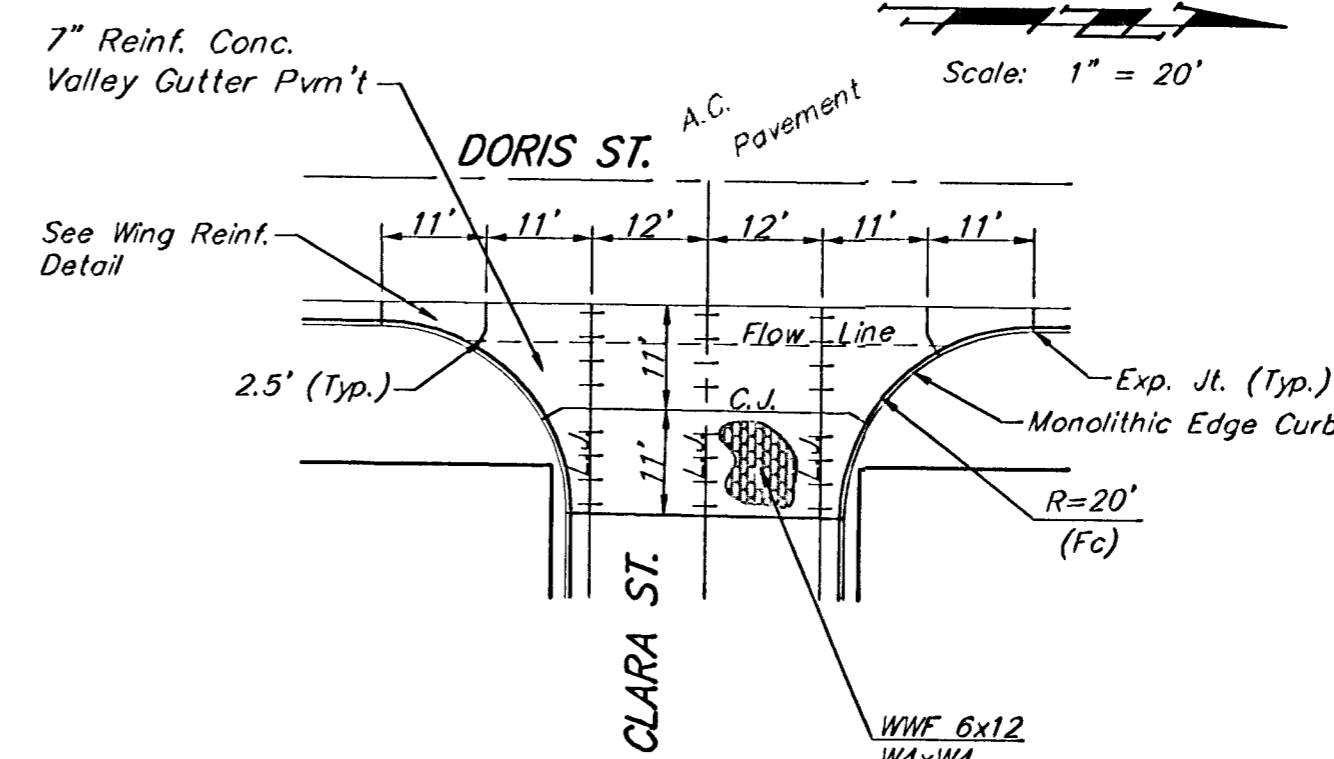
WHEELCHAIR RAMP DETAIL



SAW JOINT DETAIL "A"



SAW JOINT DETAIL "B"



Scale: 1" = 20'

NOTE: 6" X 12" WAXWA Wire Fabric Reinforcing Shall Be Placed So That The Wires With The 6" Spacing Will Run Parallel With The Longitudinal Joints.

Baughman		MISCELLANEOUS DETAILS	
Baughman Company, P.A. 315 Ellis St. Wilkes, PA 17151 F315243721 F316262149			
ENGINEERING SURVEYING PLANNING LANDSCAPE ARCHITECTURE			
PROJECT NUMBER 472-83993	DESIGN STAFF	DRAWN STAFF	
REVISIONS	APPROVED	DATE	
		05/04	
	SCALE	NONE	
	SHEET	5 OF 25	
/VgDetail		0405-E884	