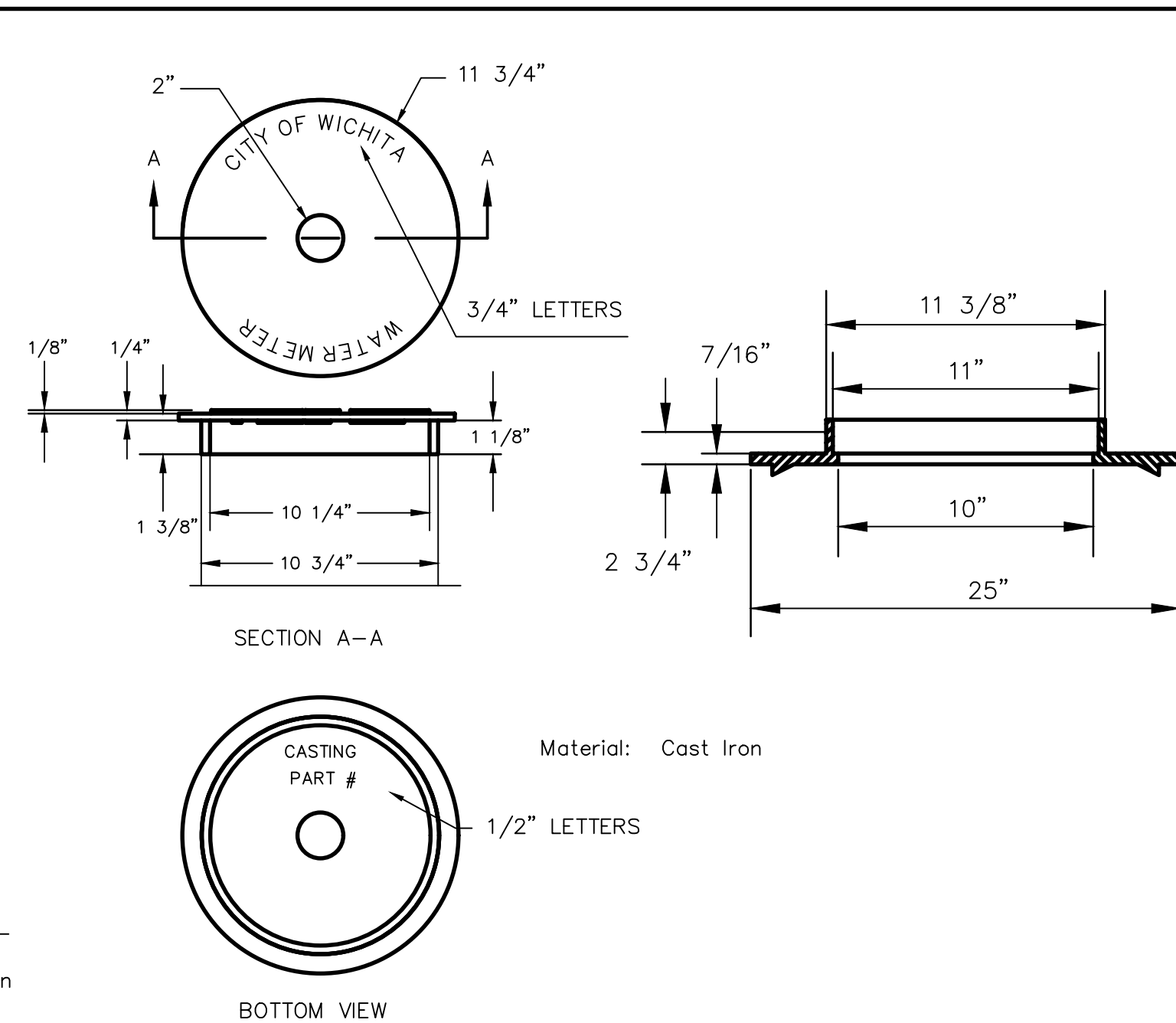


TYPICAL 1" METER SETTING

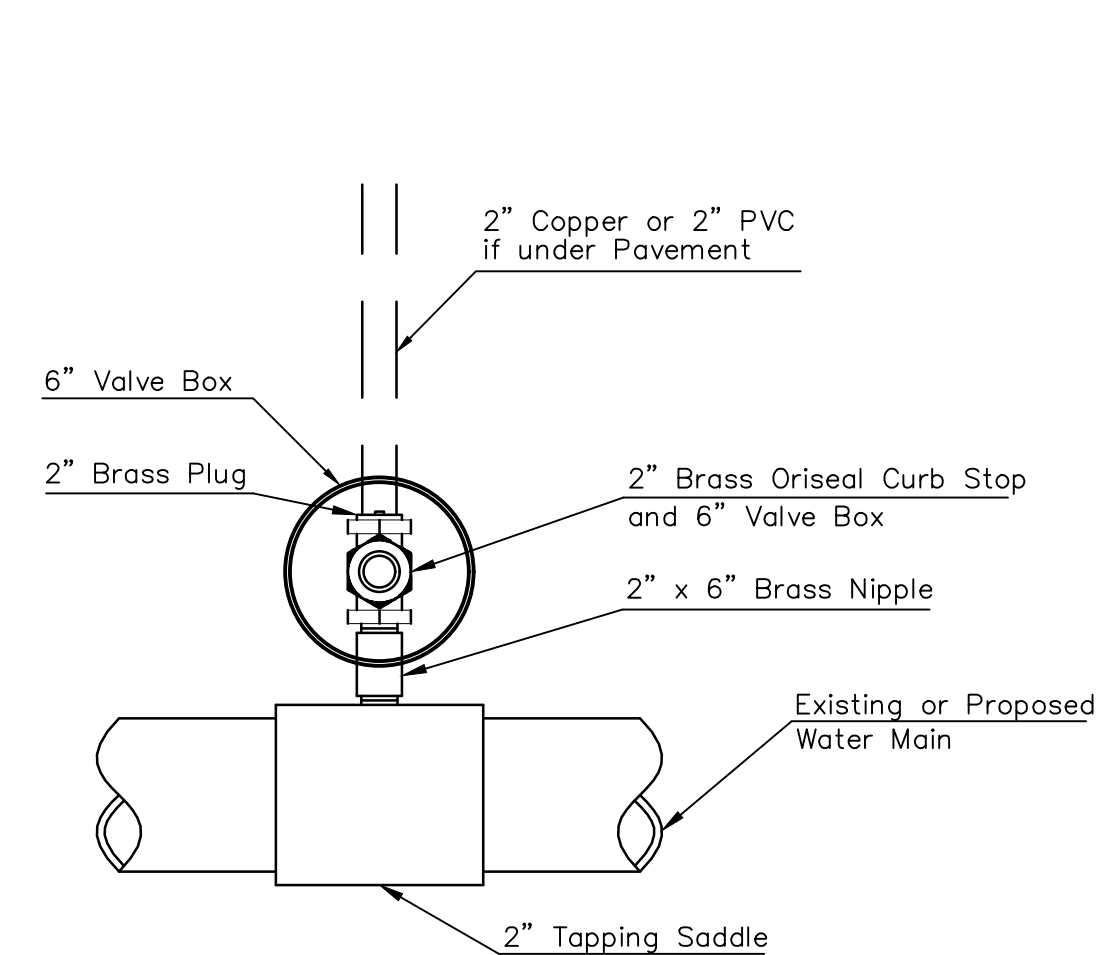


NOT TRAFFIC RATED RING & LID FOR 1" METER BOX

- NOTE:
- 1 - Ø Mueller Thread Corporation Stop
 - Ø Type "K" Copper Tubing
 - 1 - Ø Copper to Iron Union (Male)
 - 1 - Ø Brass Curb Stop (Iron to Iron)
 - 2 - Øx4" Brass Nipple
 - Air Release
 - 2 - Ø Brass Elbows (90°)
 - 1 - 1"x6" Brass Nipple
 - 1 - 30" Monitor Cover
 - 1 - 20" Meter Lid

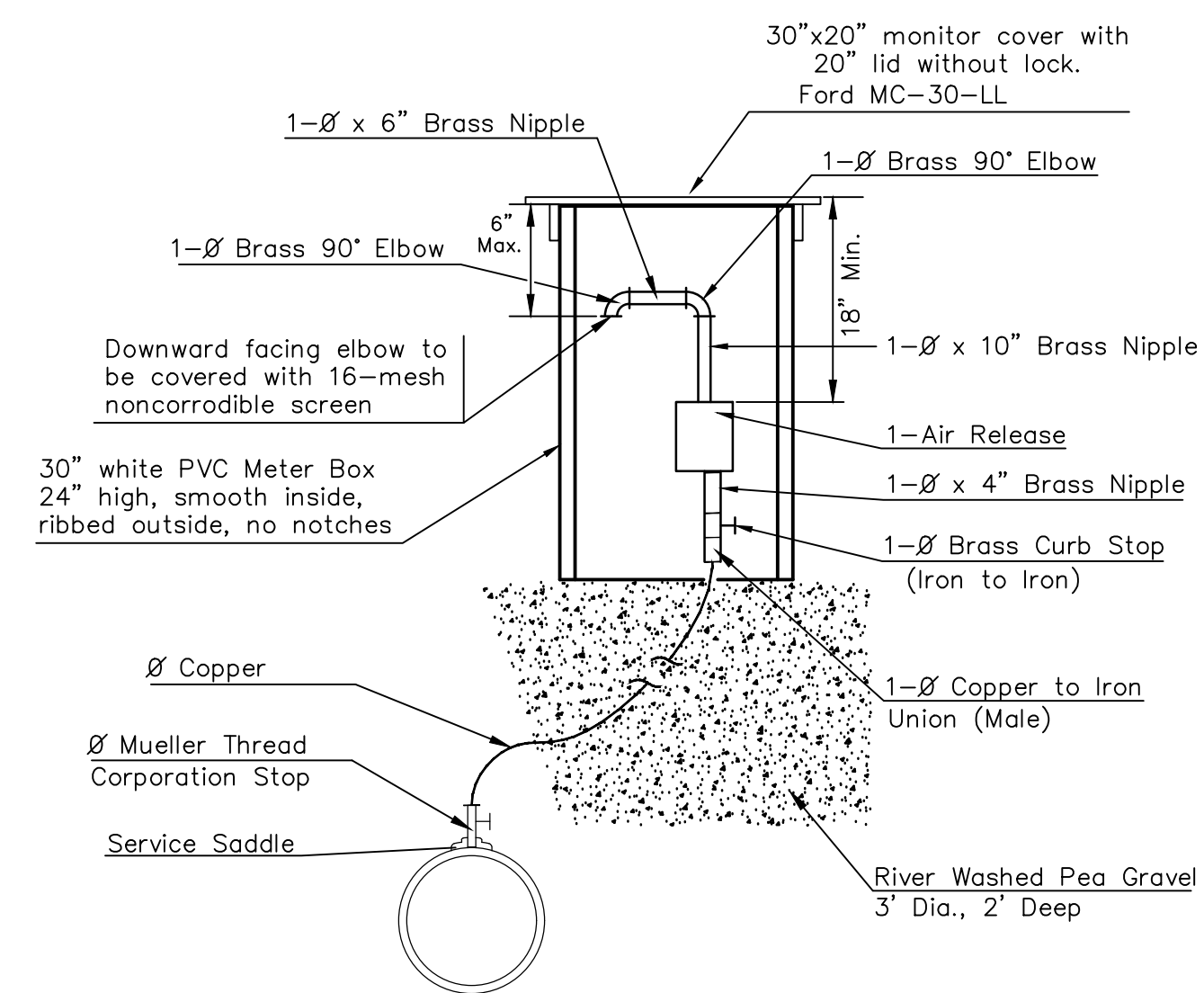
NOTE:

THE 1"/2" AIR RELEASE ASSEMBLY WILL TYPICALLY BE USED ON WATER MAINS 24" AND SMALLER, AS SPECIFICALLY DESIGNATED IN THE PLANS. COMBINATION AIR RELAEASE ASSEMBLIES WILL BE SPECIFICALLY DESIGNED FOR PROJECTS WITH LARGER MAINS, AND WILL BE INCLUDED IN THE PLANS.

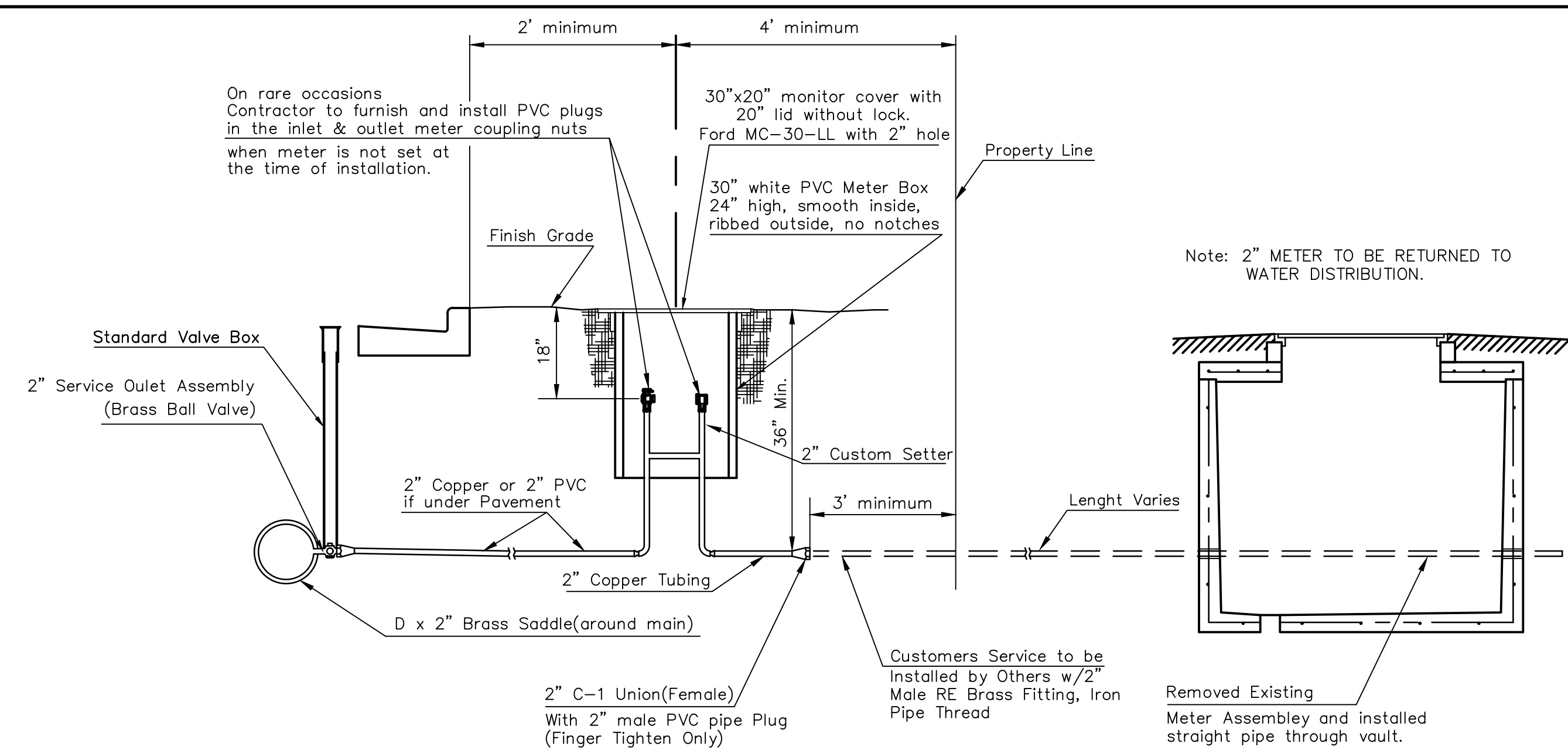


Note: Where the 2" Service Outlet Assembly is to be used to connect a 2" main to another main, the 2" valve shall be a 2" IPT Gate Valve. 2" ball or globe valves shall not be approved for this use.

2" SERVICE OUTLET ASSEMBLY TOP VIEW



MATERIALS FOR 1" or 2" AIR RELEASE ASSEMBLY Ø = 1" or 2"

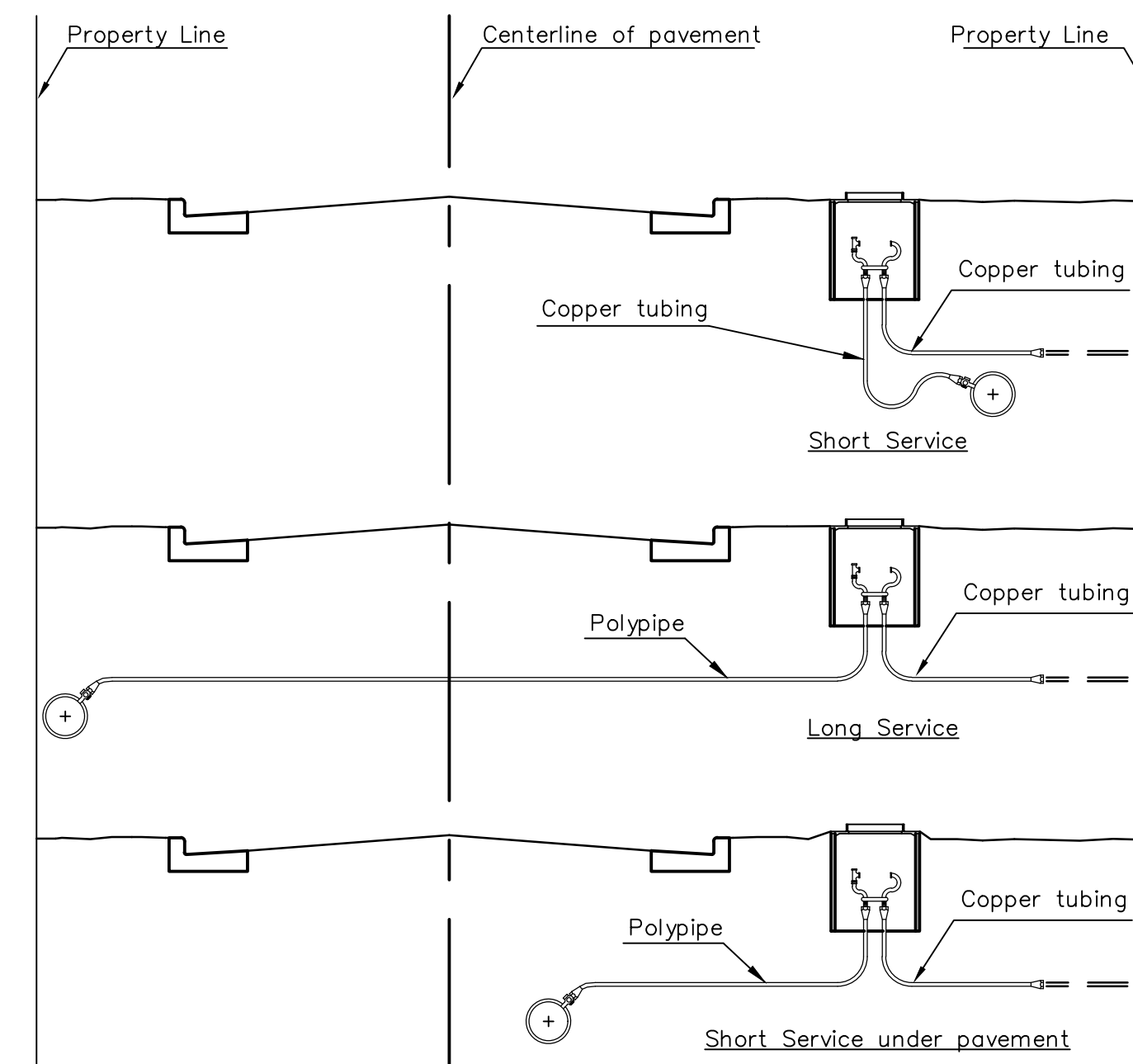


TYPICAL 2" METER SETTING

Note: ONE VALVE STEM EXTENSION FOR EACH VALVE BURIED GREATER THAN 5'.

TYPICAL 2" METER SETTING INVOLVING EXISTING 2" METER VAULT

Note: ONE VALVE STEM EXTENSION FOR EACH VALVE BURIED GREATER THAN 5'.



SERVICE TYPES



REVISED: DECEMBER 2018		BRASS NIPPLE LENGTH TO 10" ON THE 1" OR 2" AIR RELEASE ASSEMBLY	
<p>STANDARD WATER SERVICE DETAIL</p> <p>CITY ENGINEER GARY JANZEN, P.E.</p>			
PROJECT NUMBER 448-2019-005931	OCA NUMBER 735640	DATE	
CITY ENGINEER'S OFFICE CITY HALL - SEVENTH FLOOR 455 NORTH MAIN STREET WICHITA, KANSAS 67202-1620 (316) 268-4501			SHEET 7
			16