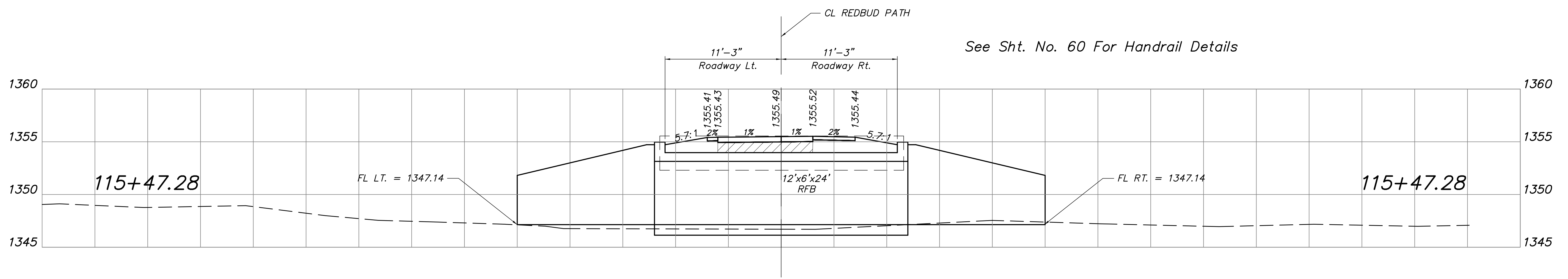


Sta. 115+47.28  
Construct 12'x6'x24' RFB  
w/ Headwalls & Handrail  
N=1697162.41  
E=1690449.17

Sta. 115+47.28  
Remove Existing Structure 1 - 11.5'  
Reinf. Conc. Slab Spans (RCSS) x 24'  
N=1697162.41  
E=1690449.17

**PLAN**



**SECTION**

<p>REDBUD BIKE PATH K-96 TO 159TH STREET EAST</p>	
<p>RFB PLAN</p>	
<p>CITY OF WICHITA, KANSAS CARY JANZEN, P.E. - CITY ENGINEER C.O.N. Project #472-65360, O.C.A. #707125</p>	
No.	By
Date	Approved
<p>POE &amp; ASSOCIATES, INC. CONSULTING ENGINEERS 544 West Douglas Avenue Wichita, KS 67203 Phone 316/685-4114 • FAX 316/685-4444</p>	
<p>FINAL</p>	
<p>Engineer: T. EVANS Designer: J. UNRUH Dwg: P:\02027 Redbud Wichita\DWG\02027-BAS-01 grade.dwg Poe Job No: 102127 Date: APRIL 2018</p>	
45	222