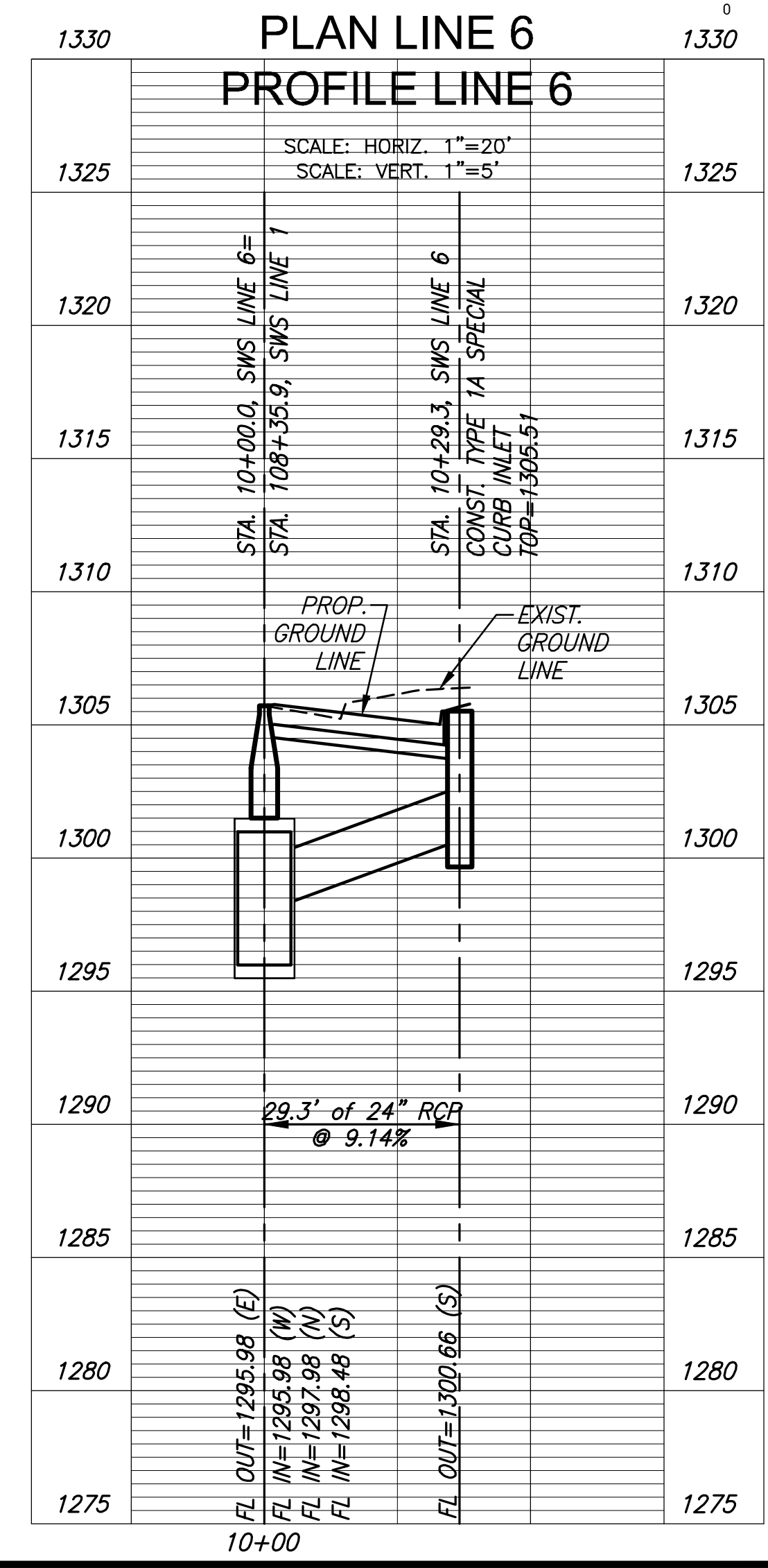
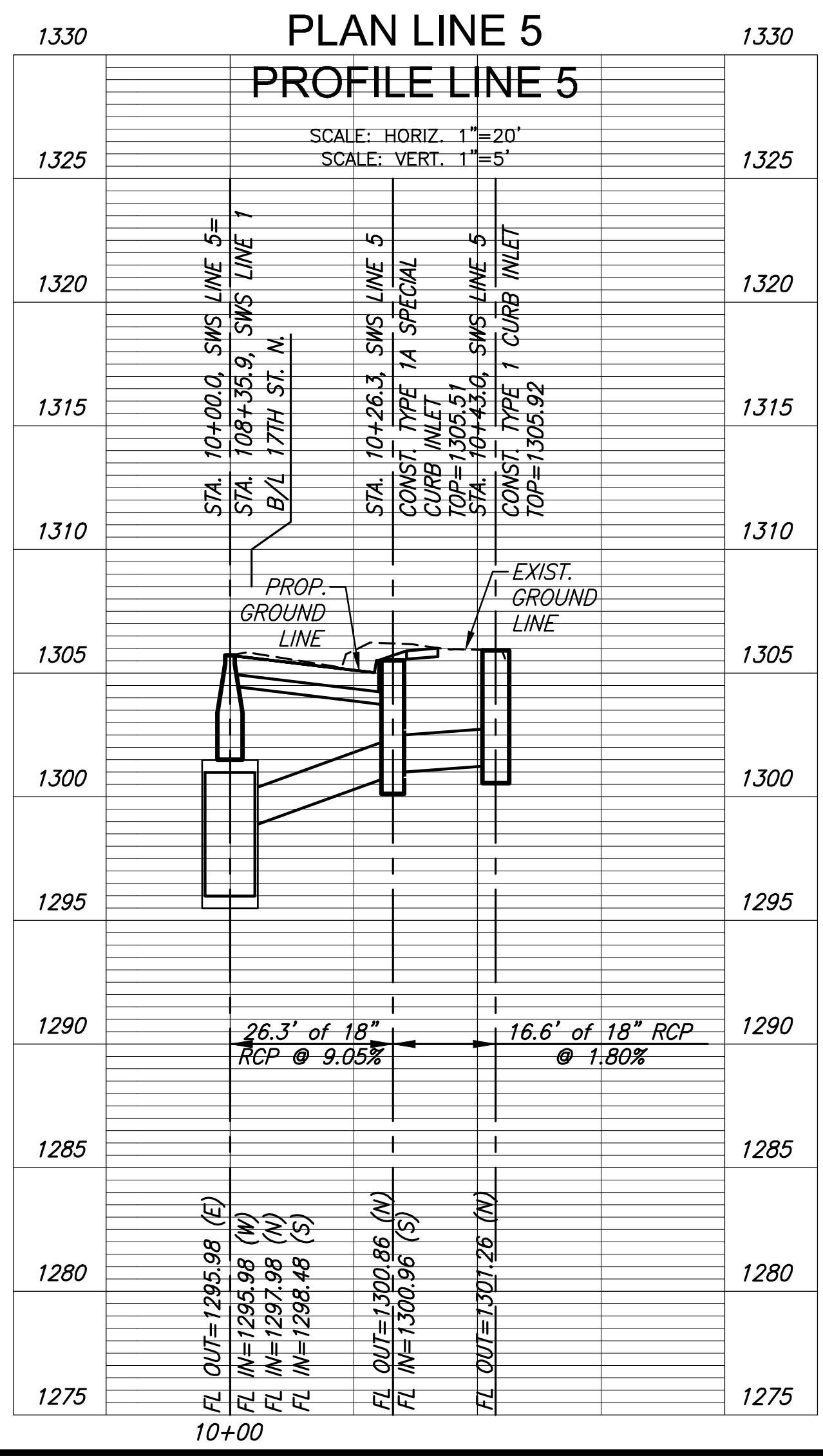
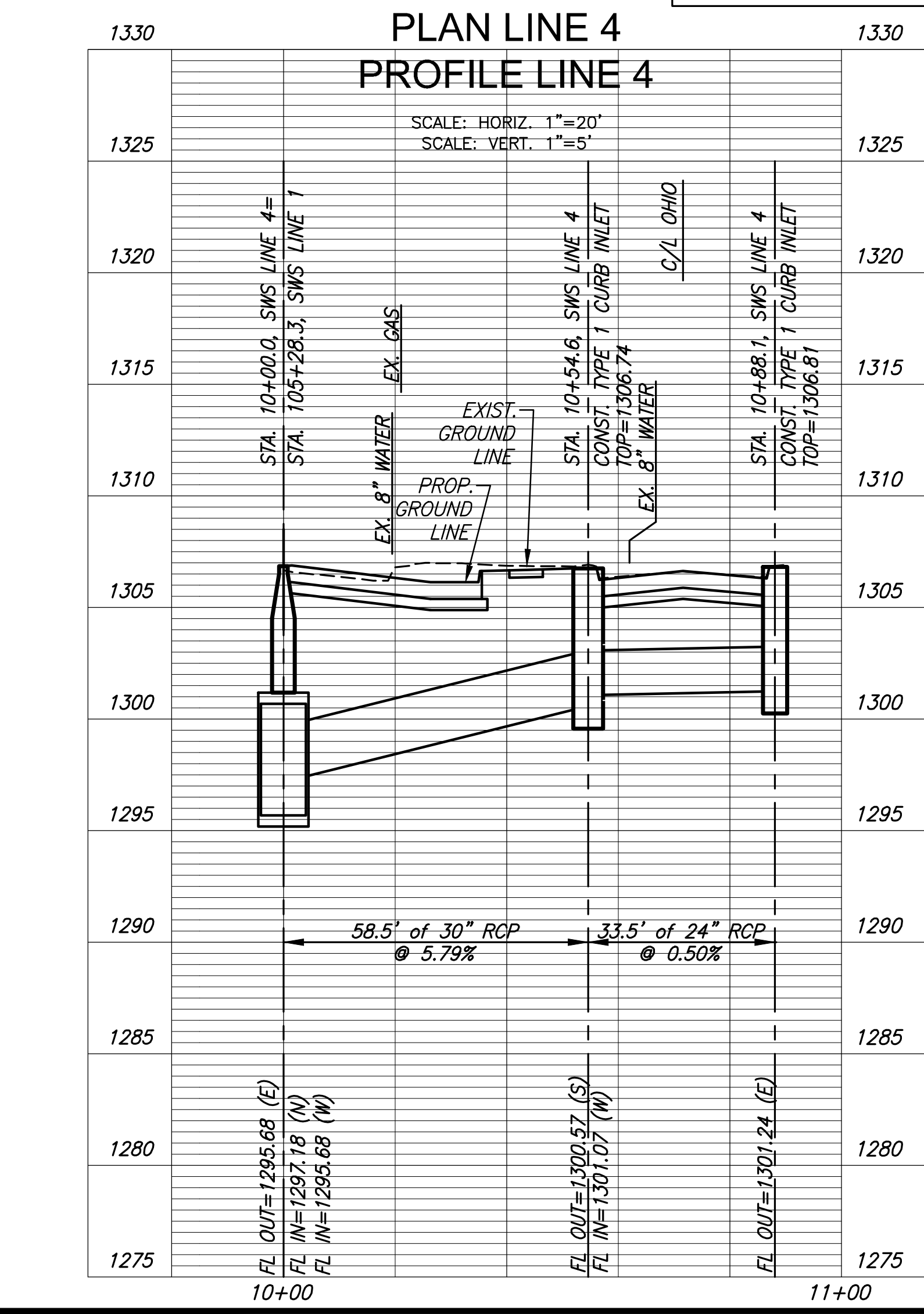
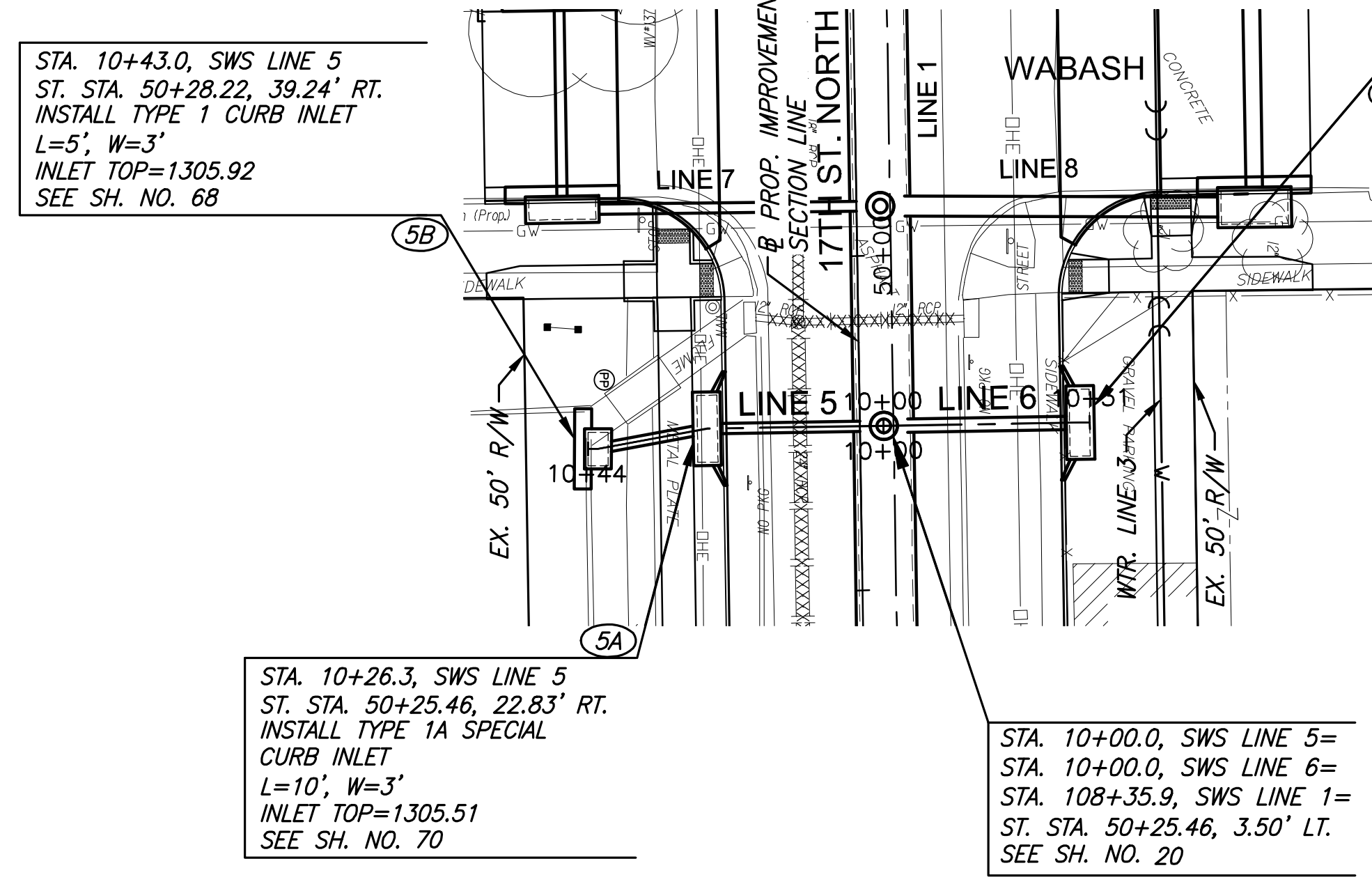
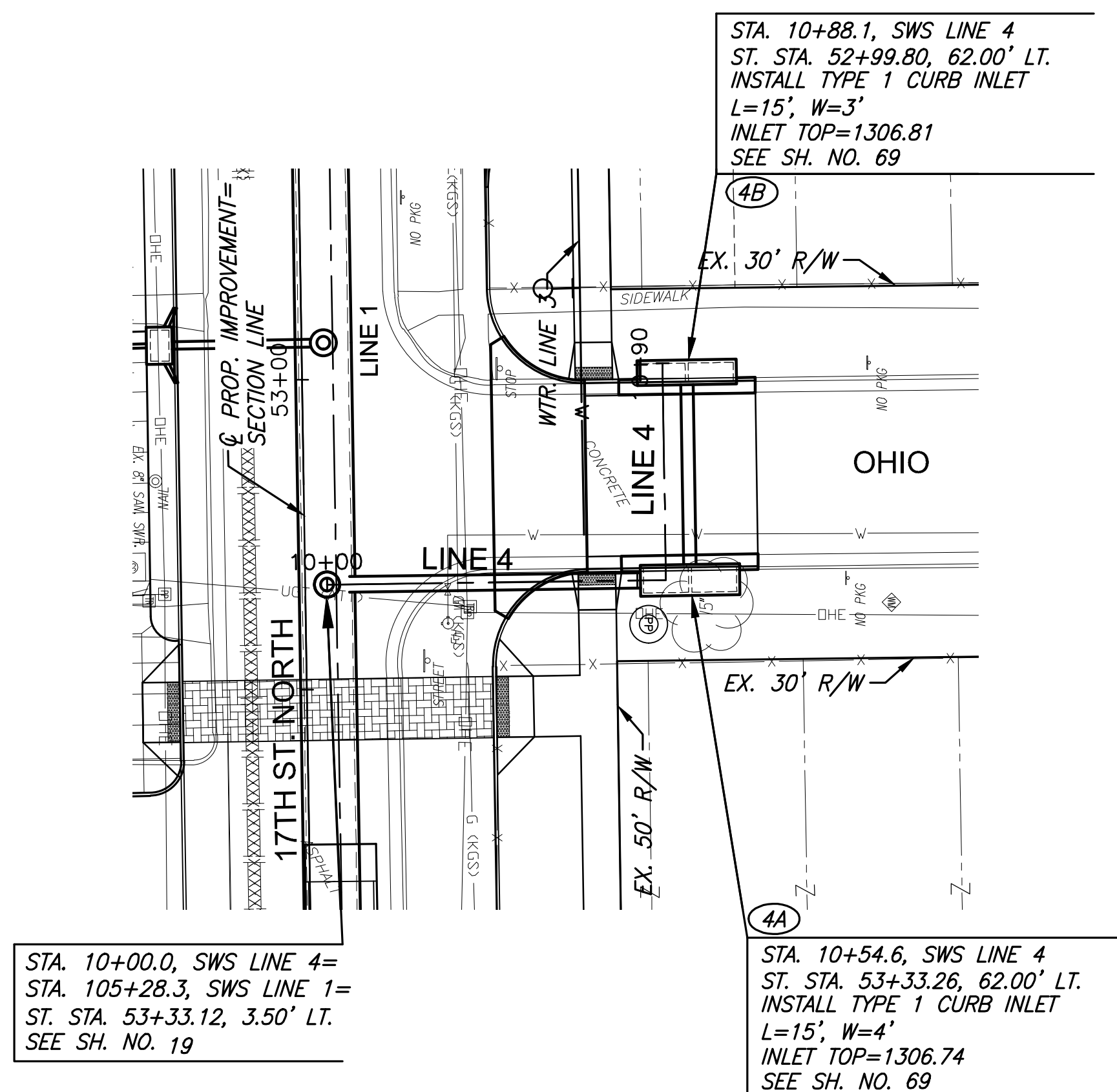


PLOTTED: Tuesday, September 03, 2019 @ 12:09PM
 J:\CIVIL\0417\DWGS\SWS\0417\SPR08.DWG

STATE	PROJECT NO.	YEAR	SHEET NO.	TOTAL SHEETS
KANSAS	87 N-0662-01	2019	26	194



STREET IMPROVEMENTS FOR
17TH ST - BROADWAY TO I-135
 FROM BROADWAY TO I-135

©2019
 MKEC Engineering
 All Rights Reserved
 www.mkec.com
 These drawings and their contents, including, but not limited to, all concepts, designs, & ideas are the exclusive property of MKEC Engineering (MKEC), and may not be used or reproduced in any way without the express consent of MKEC.

**STORM SEWER
 PLAN & PROFILE
 LINE 4, 5 & 6**

PROJECT NO.	87 N-0662-01
DATE	8/30/2019
SCALE	1"=20'
DESIGNED	JRA
DRAWN	WNJ
CHECKED	JRA

NO.	REVISION	DATE

SHEET NO.
 26 OF 194