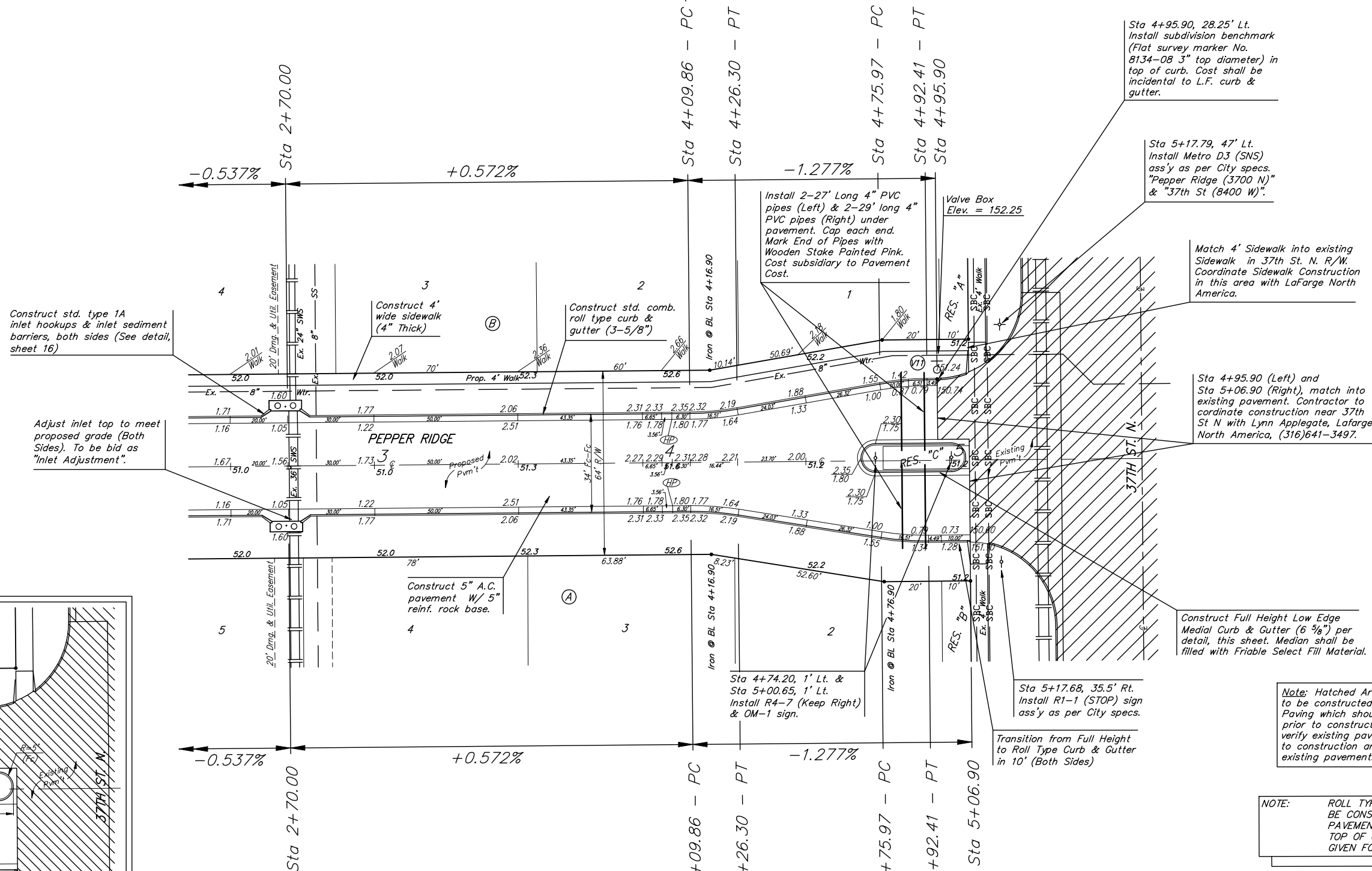
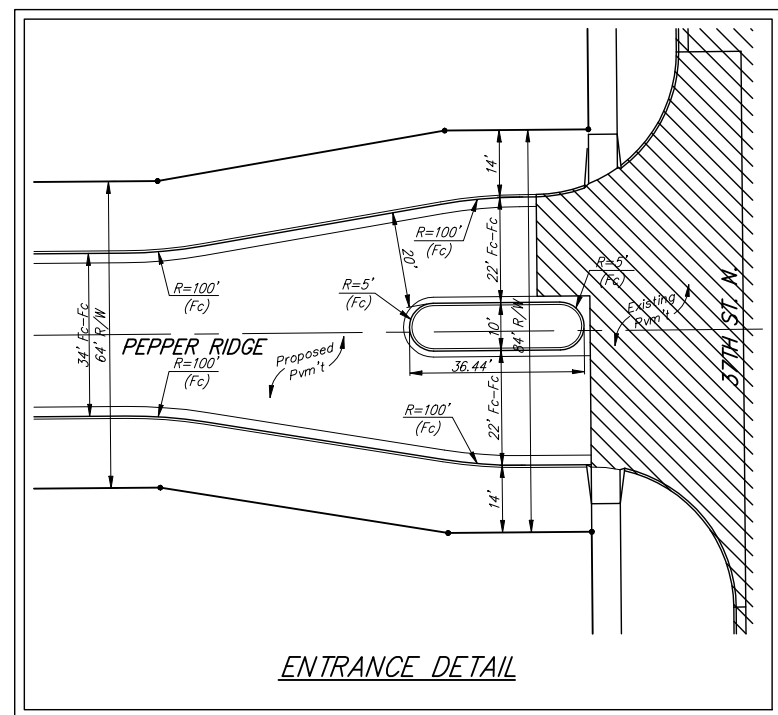
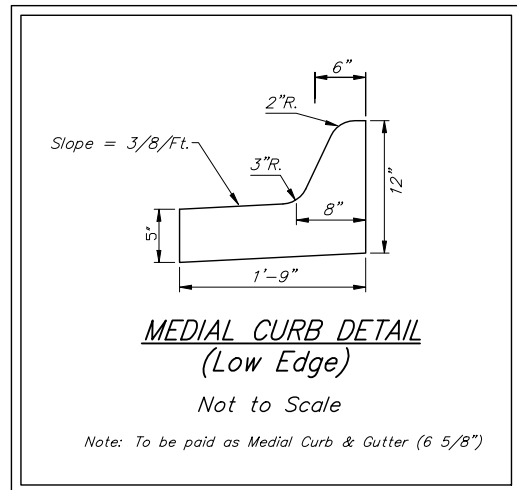


Benchmarks:
 BM #1: "□" Cut in Middle of Curb
 Inlet Top, North Curb of Conrey,
 Adjacent to SW Corner of Lot 14,
 Block A, Tyler's Landing 3rd Addition.
 Elev. = 150.29 (1337.69 M.S.L.)

BM #2: "□" Cut in Top of East Curb
 of High Point, 10' South of End of
 Return. Adjacent to Lot 1, Block D,
 Tyler's Landing Addition.
 Elev. = 155.28 (1342.68 M.S.L.)

P. V.I.
 Elev. = 152.40
 33.02' V.C.

Scale: 1" = 20'
 • = Iron



P. V.I.
 Elev. = 152.40
 33.02' V.C.

VALVE LOCATION TABLE

VALVE NUMBER	BASELINE STATION	OFFSET DISTANCE	OFFSET DIRECTION
V11	4+95.89	34.5'	Lt.

Paving contractor will be responsible to operate all water valves on the project, in the presence of the inspector, to ensure accessibility to the valves, and that all valves are left in the "ON" position when the project is completed.

Baughman Tyler's Landing 3rd Addition - Ph 2
Pepper Ridge
 Sta 2+70.00 to 5+06.90

Baughman Company, P.A. 315 8th St. W. W. Minn. 55 0711 P 3162627271 F 3162620149
 ENGINEERING | SURVEYING | PLANNING | LANDSCAPE ARCHITECTURE

PROJECT NUMBER 472-84263	DESIGN RDM/ABG	DRAWN RDM
REVISIONS:	APPROVED ABG	DATE 4-25-07
	SCALE Noted	SHEET 11 OF 22

Tyler's Landing 3rd Phase 2\STR1.dwg 06-01-B454