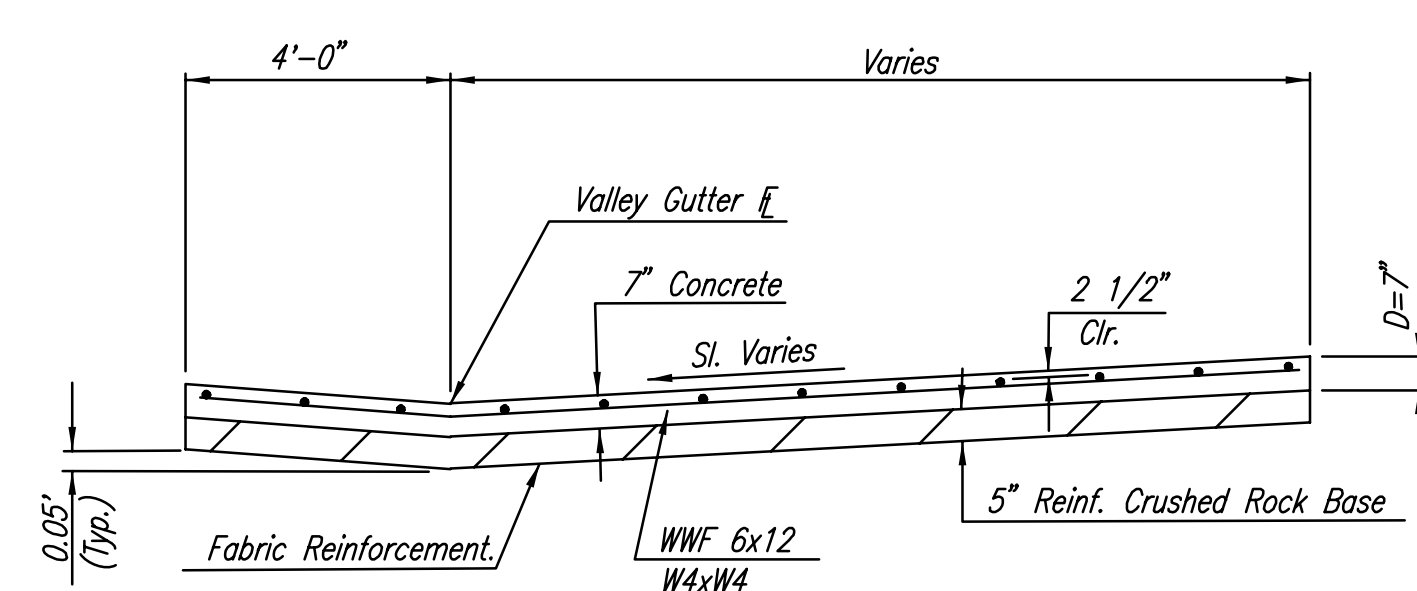
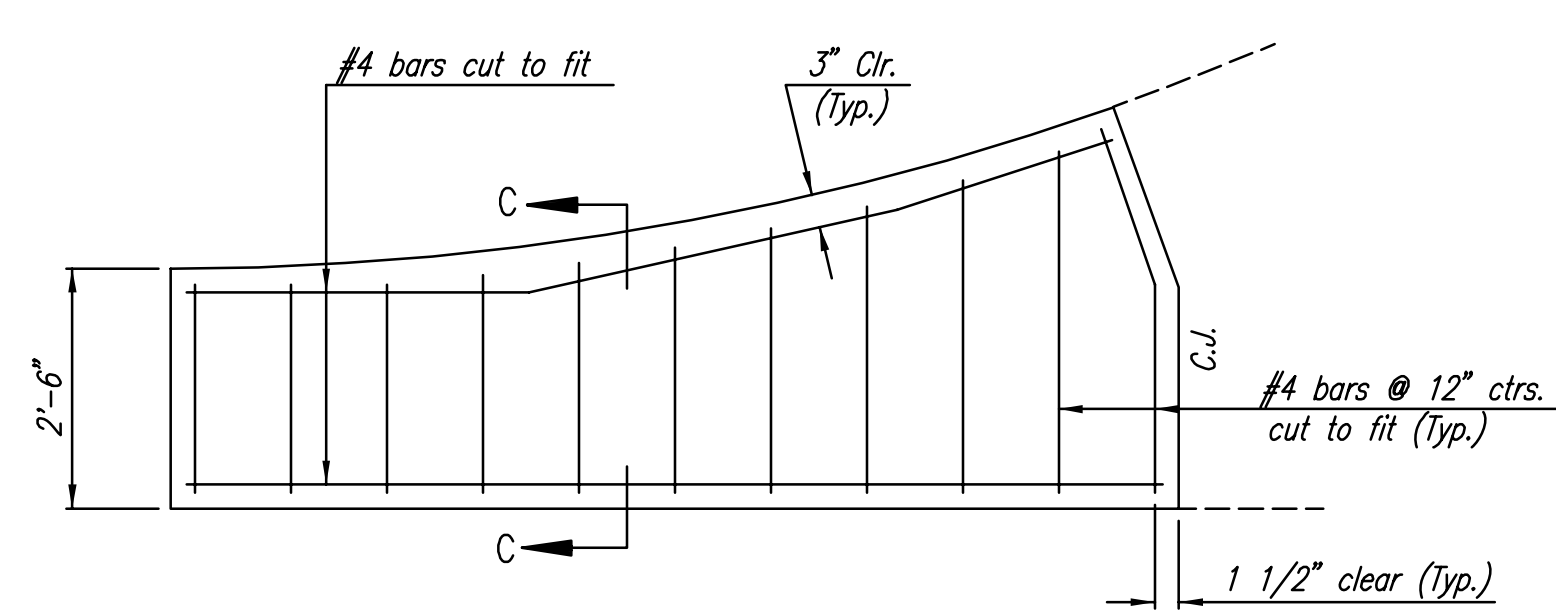


PLAN
REINFORCED VALLEY GUTTER



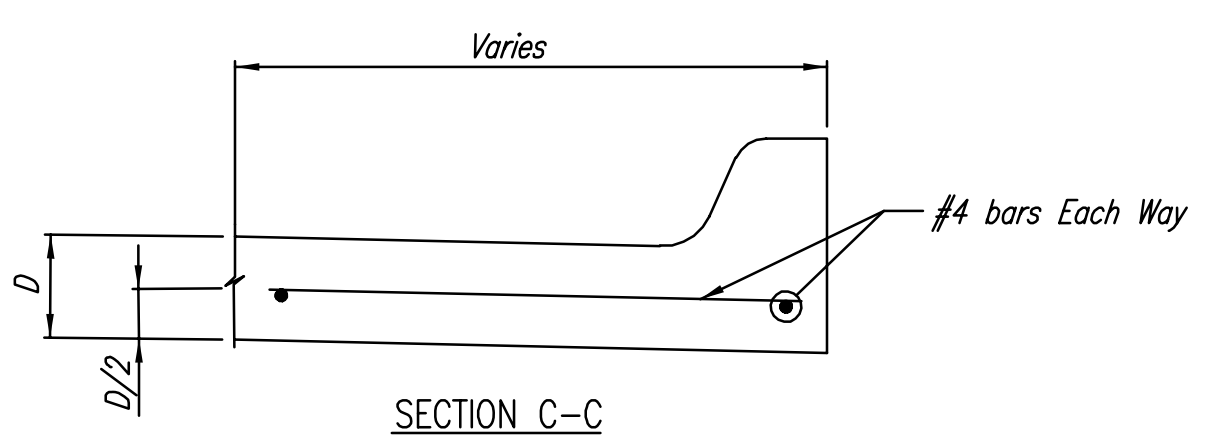
SECTION A-A

NOTE: OMIT REINFORCING MESH AT ALL JOINTS
NOTE: ALL CONCRETE VALLEY GUTTER REINFORCEMENT SHALL BE ADEQUATELY SUPPORTED BY BAR CHAIRS IN THE REQUIRED POSITION UNLESS APPROVED OTHERWISE BY THE ENGINEER.

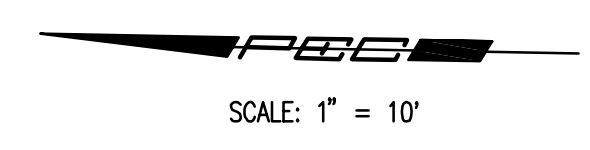


WING REINFORCING DETAIL

NOTE: OMIT WIRE FABRIC REINFORCING IN THIS SECTION.

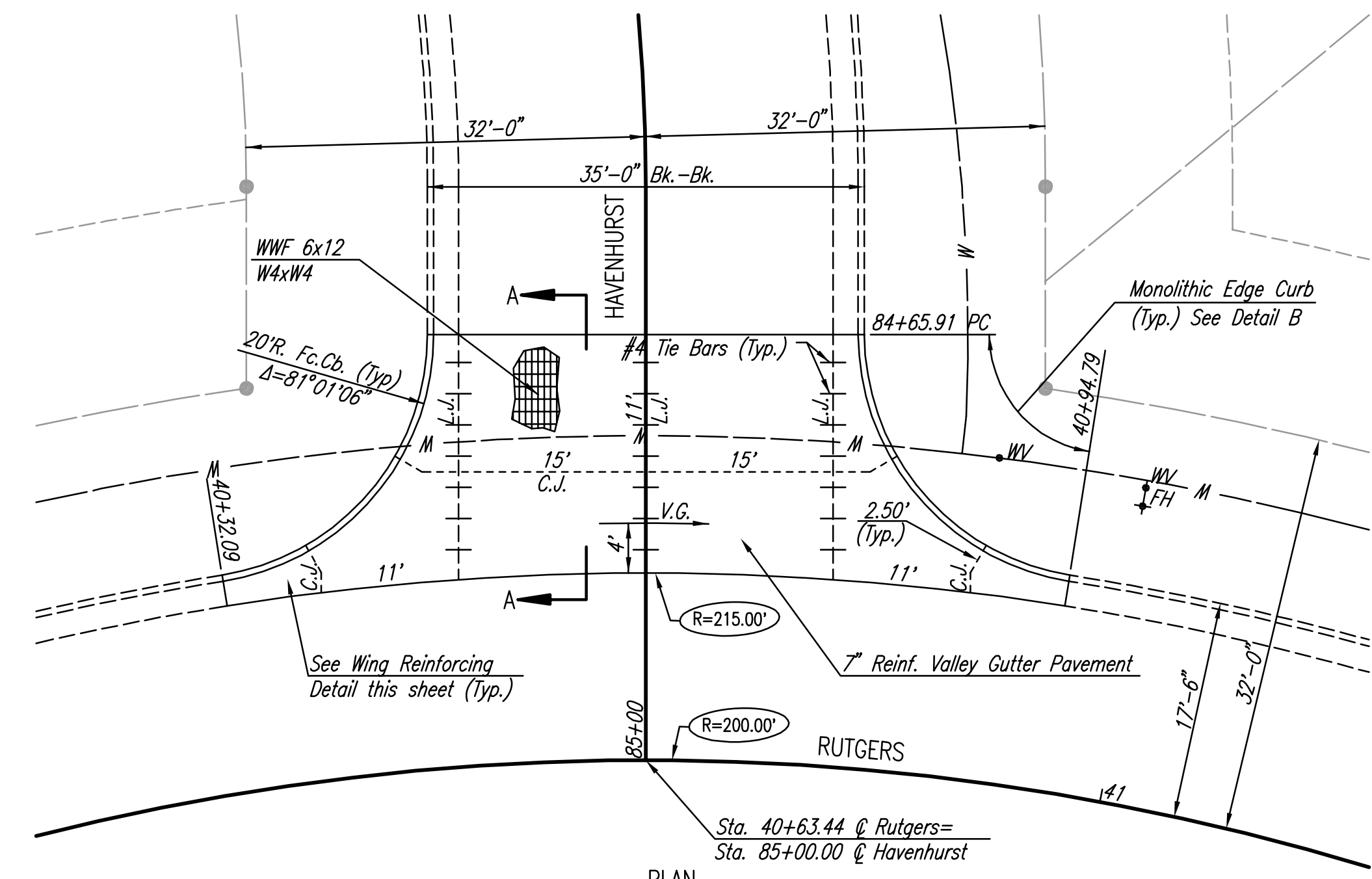


SECTION C-C

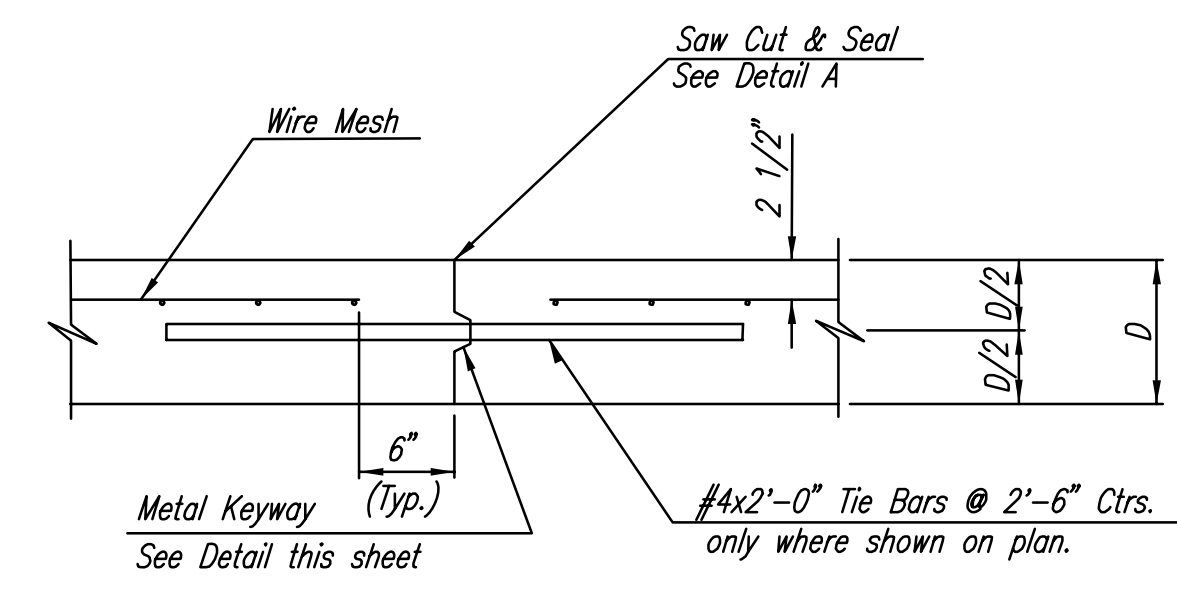


SCALE: 1" = 10'

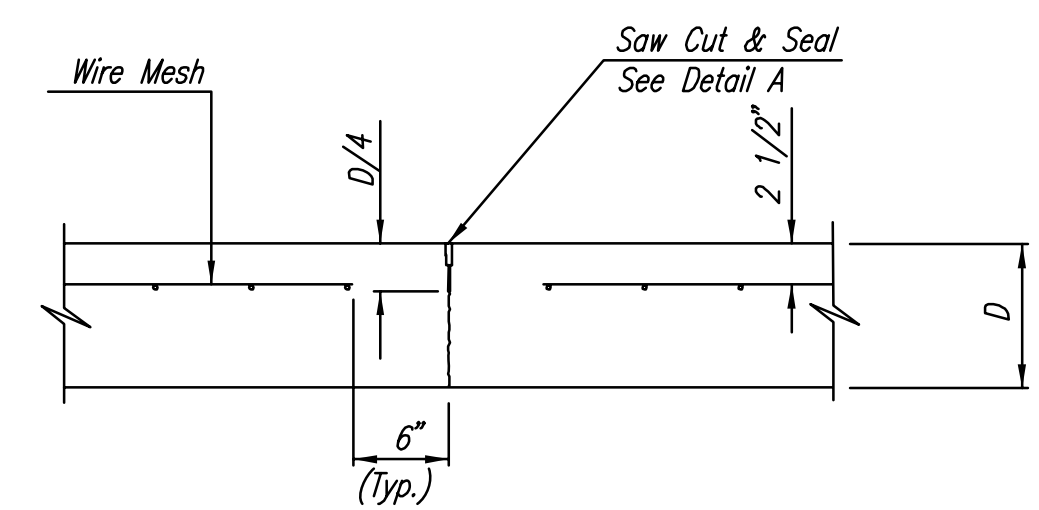
6" x 12" W4xW4 WIRE FABRIC REINFORCING SHALL BE PLACED SUCH THAT THE WIRES WITH THE 6" SPACING WILL RUN PARALLEL WITH THE LONGITUDINAL JOINT.



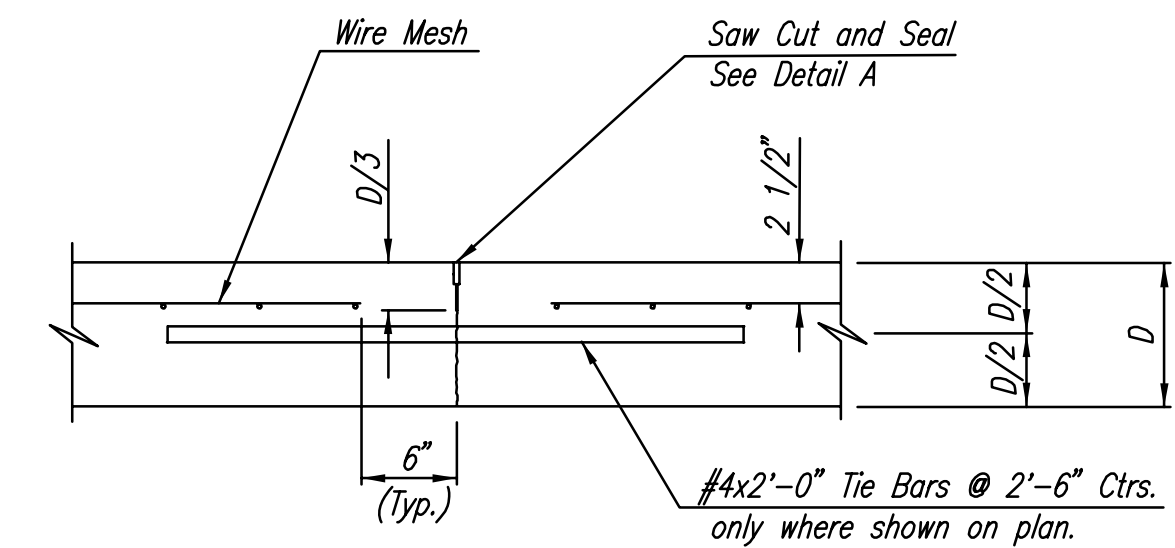
PLAN
REINFORCED VALLEY GUTTER



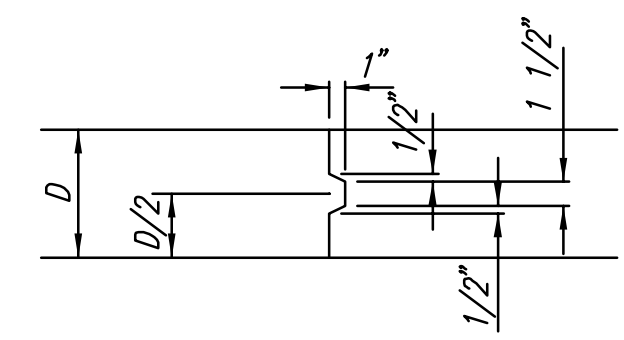
LONGITUDINAL CONSTRUCTION JOINT DETAIL
REINFORCED PAVEMENT
(TRANSVERSE SECTION)
(ALTERNATE L.J.)



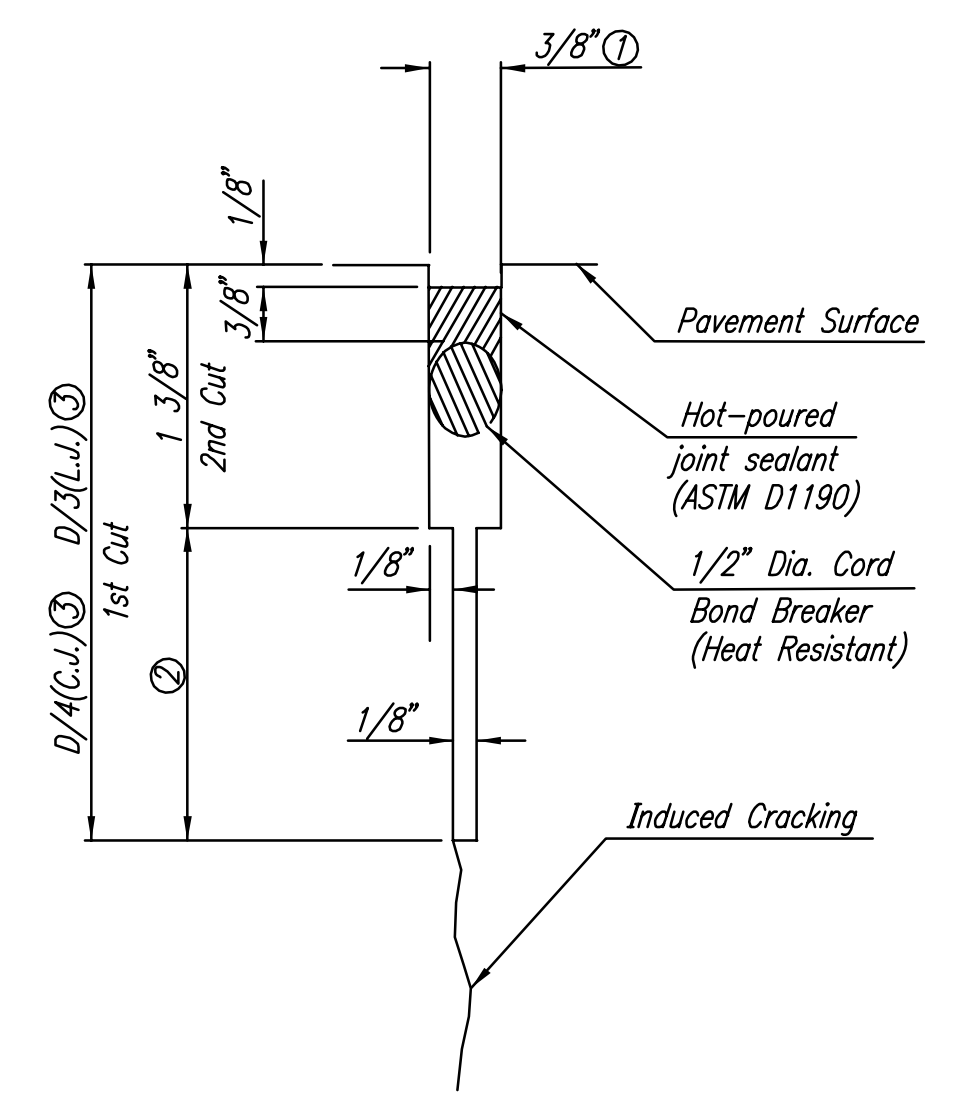
CONTRACTION JOINT DETAIL
REINFORCED PAVEMENT
(C.J.)



LONGITUDINAL JOINT DETAIL
REINFORCED PAVEMENT
(TRANSVERSE SECTION)
(L.J.)



KEYWAY DETAIL



DETAIL A

- ① To be accomplished in 2 cuts for Longitudinal Joints and Contraction Joints. Initial cut to be 1/8" wide.
- ② Eliminate bottom of cut when metal keyway is used as part of Longitudinal or Transverse Construction Joint and at Doweled Construction Joint Locations.
- ③ 1 1/2" Minimum

Sowed 04-30-2007 2:26:00 PM by BJS
 Plot Scale 1:10 05-02-2007 12:14:32 PM by BEJ
 J:\SEN\001\2006\06563\2007-05-01 to City\Street\DWG\17-VALLEY GUTTER DTL

No.	Revision	By	Date
PRAIRIE POINTE-PHASE 3			
VALLEY GUTTER DETAILS			
JAMES L. ARMOUR, P.E.-CITY ENGINEER CITY OF WICHITA PROJECT NO. 472-84043 Professional Engineering Consultants, P.A. 303 S. TOPEKA • WICHITA, KANSAS 67202 316-262-2691 • FAX 316-262-3003			
Designed by	BDB, BMM	Job No.	35-06563-000
Drawn by	BJS, TAT	Date	October 2006
			Sheet 17 of 56