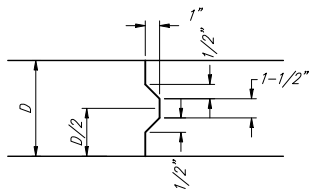
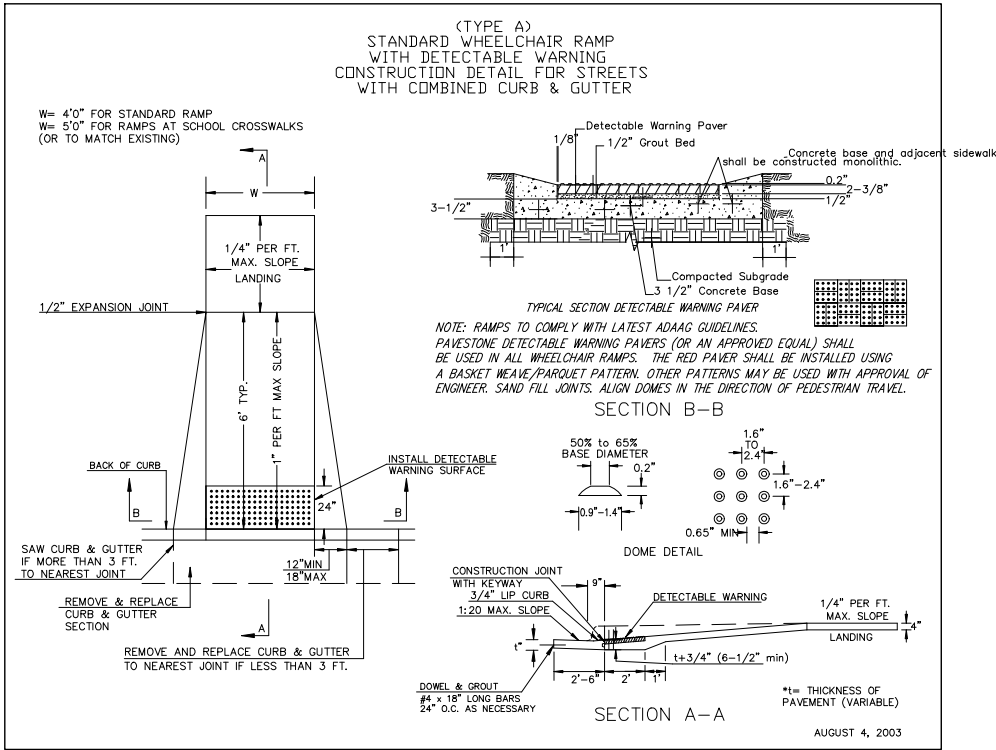


**EXPANSION JOINT**

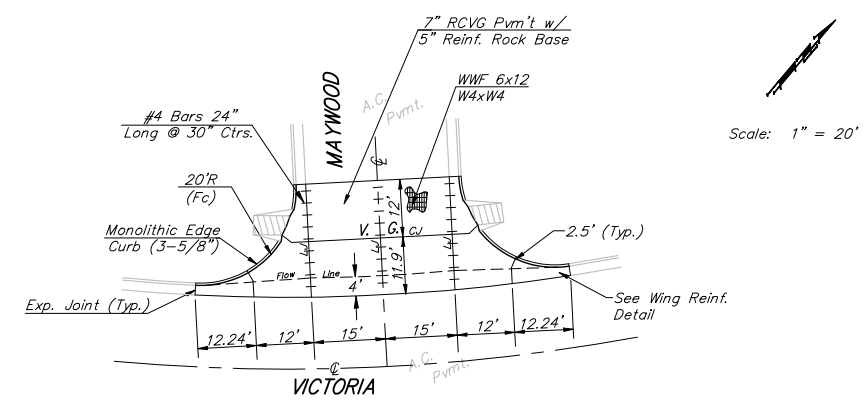
NOTE: Extra Thickness to be Subsidiary to Price of Square Yards Pavement



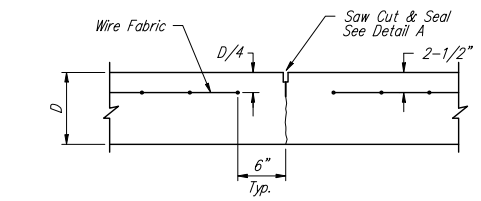
**KEYWAY DETAIL**



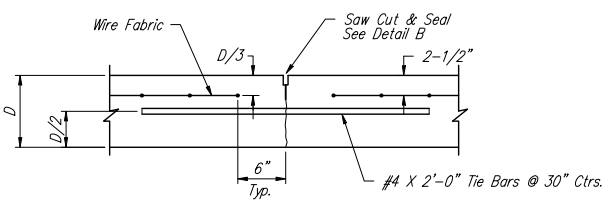
**WHEELCHAIR RAMP DETAIL**



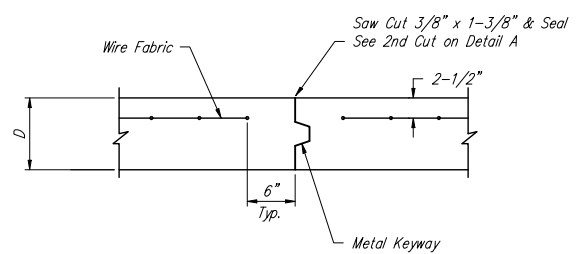
Scale: 1" = 20'



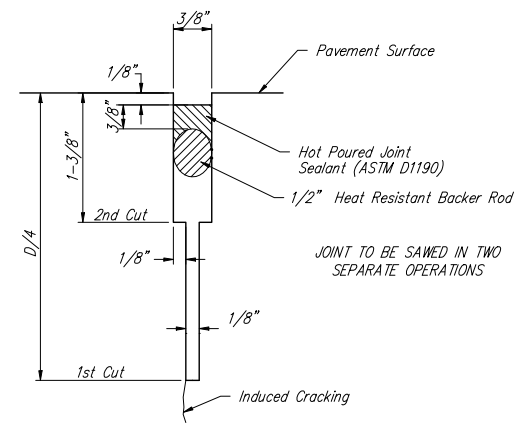
**CONTRACTION JOINT DETAIL (C.J.)**



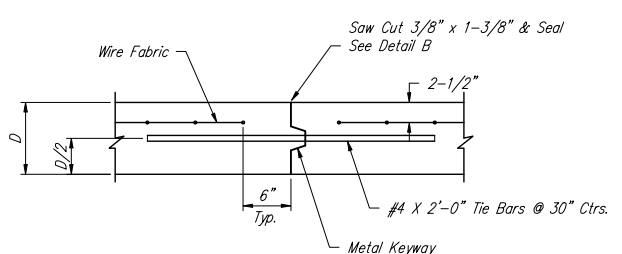
**LONGITUDINAL JOINT DETAIL (L.J.)**



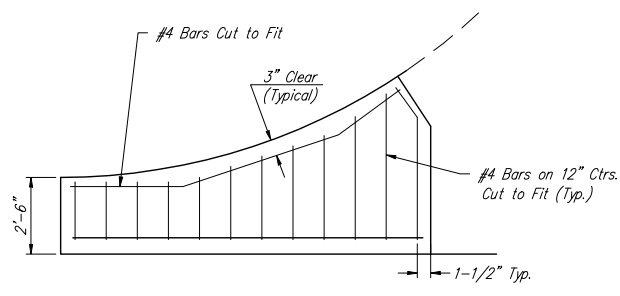
**OPTIONAL CONTRACTION JOINT (CONSTRUCTION JOINT)**



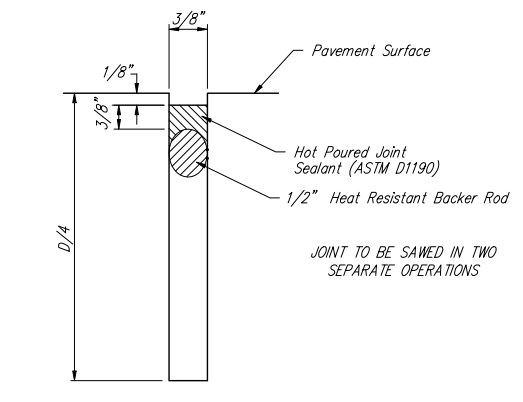
**SAW JOINT DETAIL "A"**



**OPTIONAL LONGITUDINAL JOINT DETAIL (L.J.) (CONSTRUCTION JOINT)**



**WING REINFORCING DETAIL**



**SAW JOINT DETAIL "B"**

NOTE: 6" X 12" W4XW4 Wire Fabric Reinforcing Shall Be Placed So That The Wires With The 6" Spacing Will Run Parallel With The Longitudinal Joints.

		Rivendale Addition - Phase 3	
		<b>Miscellaneous Details</b>	
<small>Baughman Company, P.A. 315 Ellis St. Wichita, KS 67211 P 316-262-7271 F 316-262-0149 ENGINEERING   SURVEYING   PLANNING   LANDSCAPE ARCHITECTURE</small>			
PROJECT NUMBER 472-63868	DESIGN MWS	DRAWN MWS	
REVISIONS:	APPROVED MWS	DATE 5-4-07	
	SCALE NONE	SHEET	
		<b>5 OF 39</b>	
<small>E:\Eng\Rivendale\Phase 3\vgd\detail.dwg</small>			