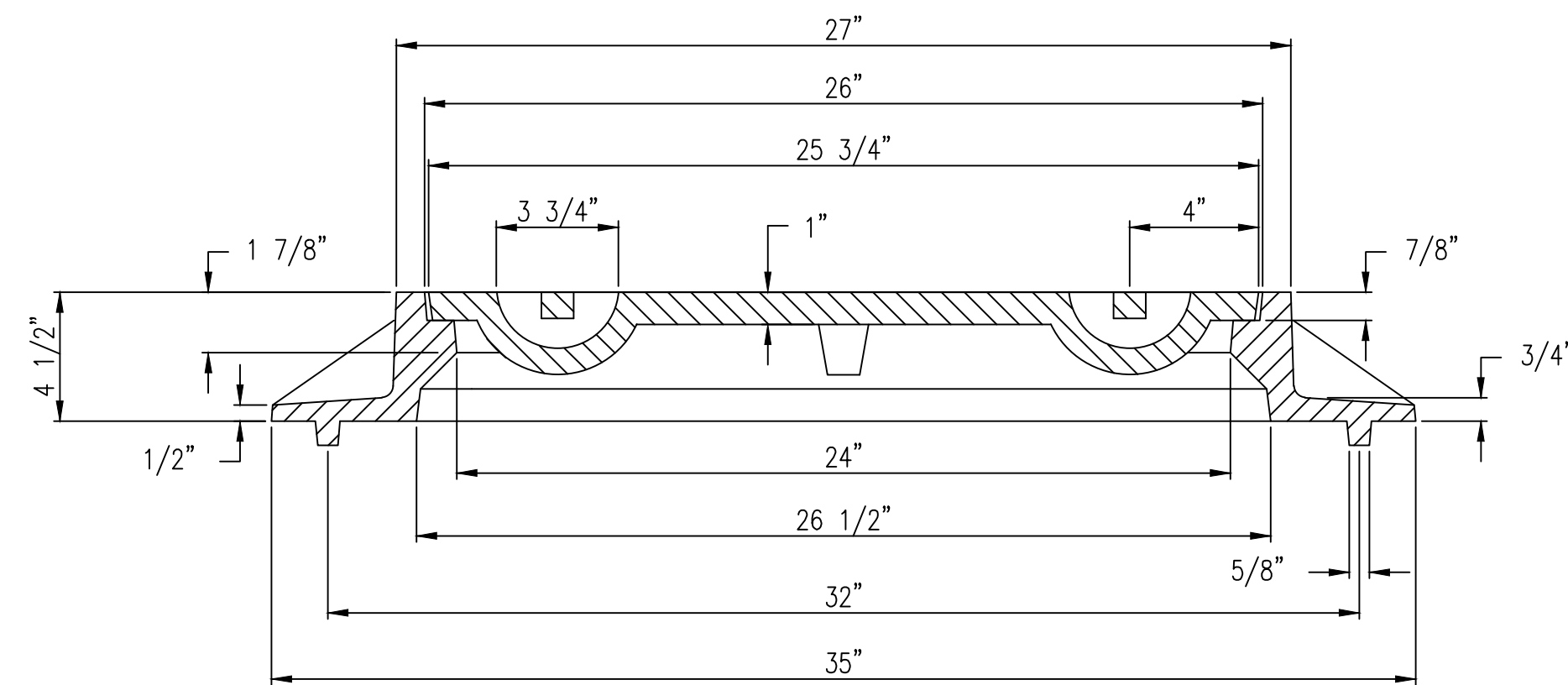
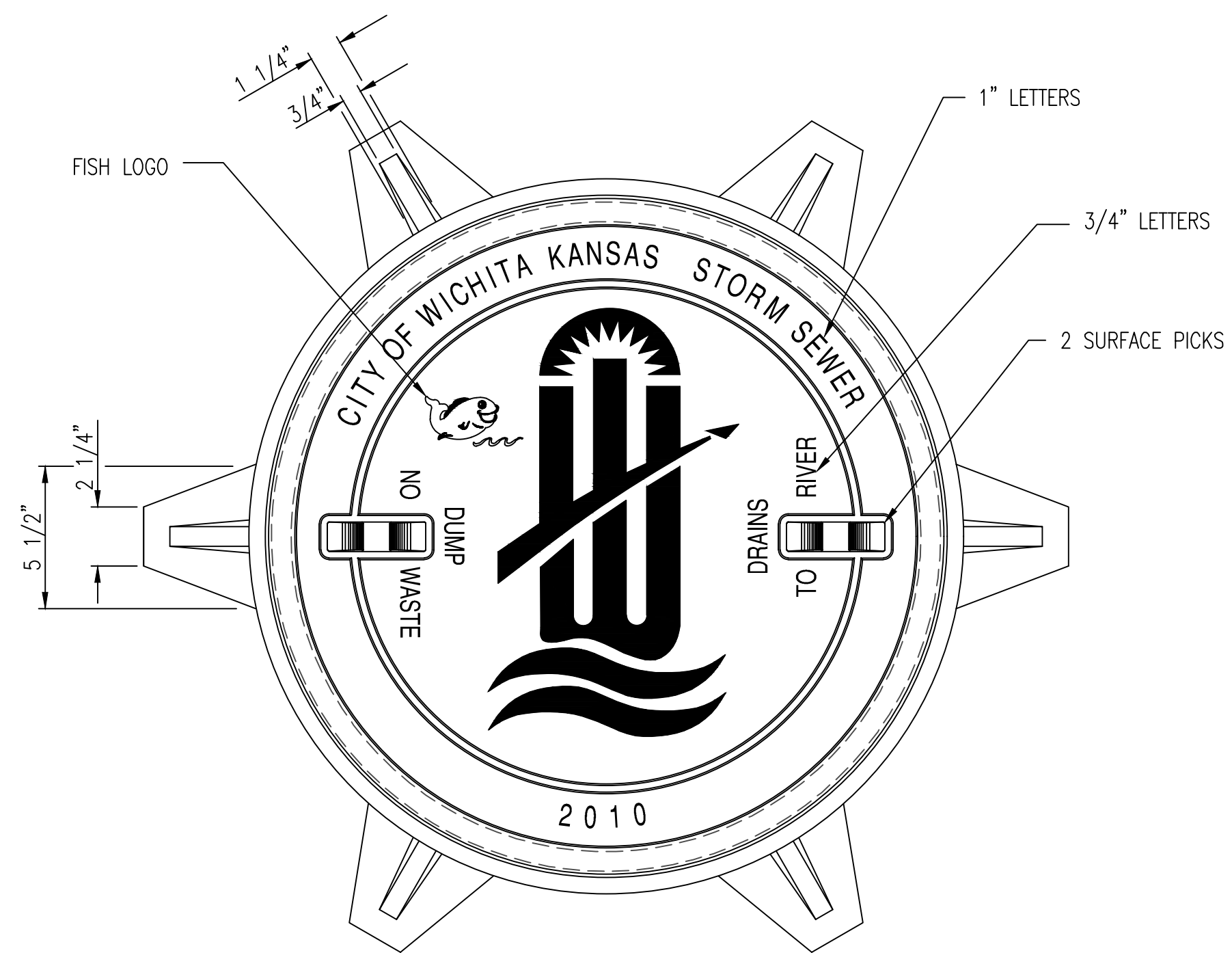


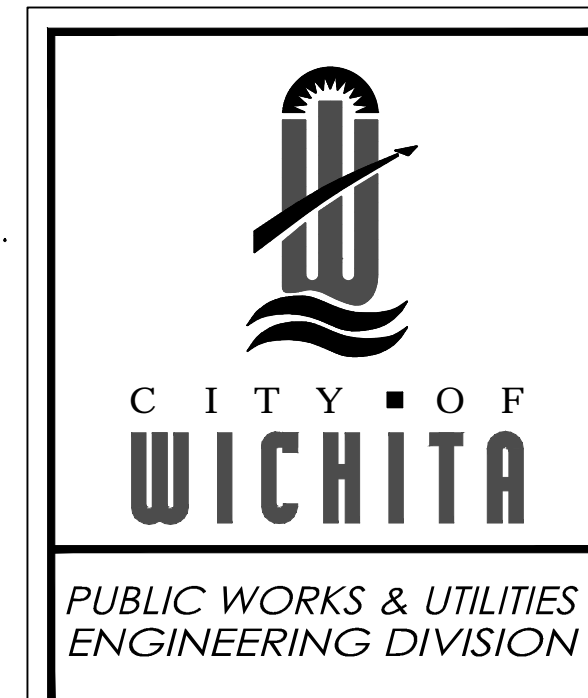
**MANHOLE FRAME**  
DEETER #1261 OR EJIW #1936-Z1

- NOTE:
1. FURNISHED WITH MACHINED HORIZONTAL BEARING SURFACE.
  2. COVER TO BE DEETER #1261 OR EJIW #1936A.



**INLET FRAME**  
DEETER #2014 OR EJIW #1936-Z4

- NOTE:
1. FURNISHED WITH MACHINED HORIZONTAL BEARING SURFACES.
  2. NOT TO BE USED UNDER PAVEMENT.
  3. COVER TO BE DEETER #1261 OR EJIW #1936A.



<b>MANHOLE/INLET FRAME AND COVER (STORM SEWER)</b>		
CITY ENGINEER <b>GARY JANZEN, P.E.</b>		
PROJECT NUMBER	OCA NUMBER	DATE 11/2010
CITY ENGINEER'S OFFICE CITY HALL - SEVENTH FLOOR 455 NORTH MAIN STREET WICHITA, KANSAS 67202-1620 (316) 268-4501		SHEET <b>25 of 28</b>