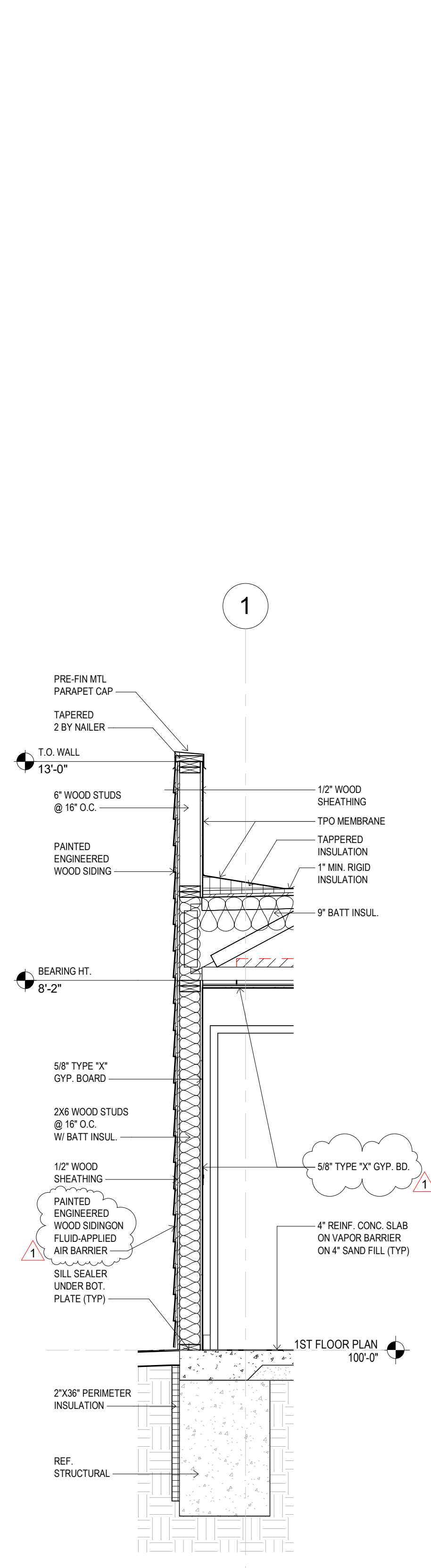
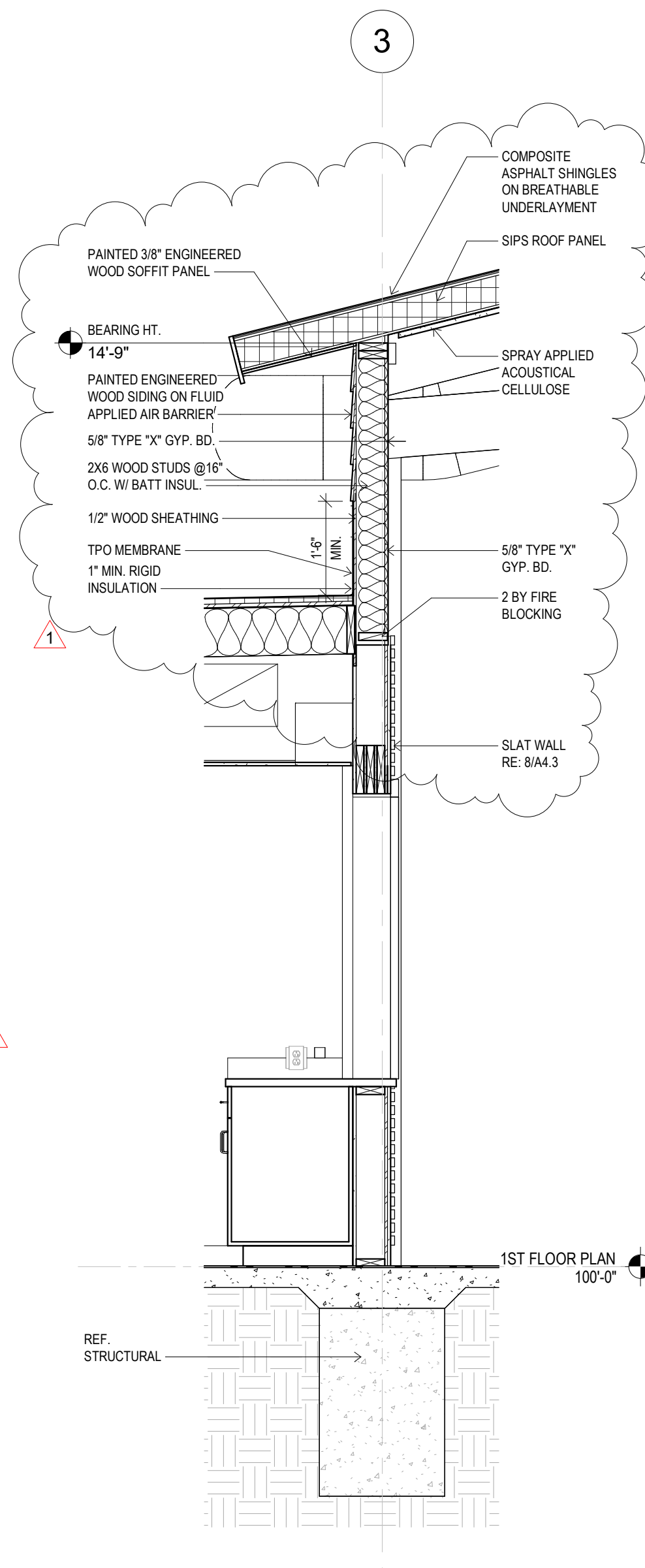


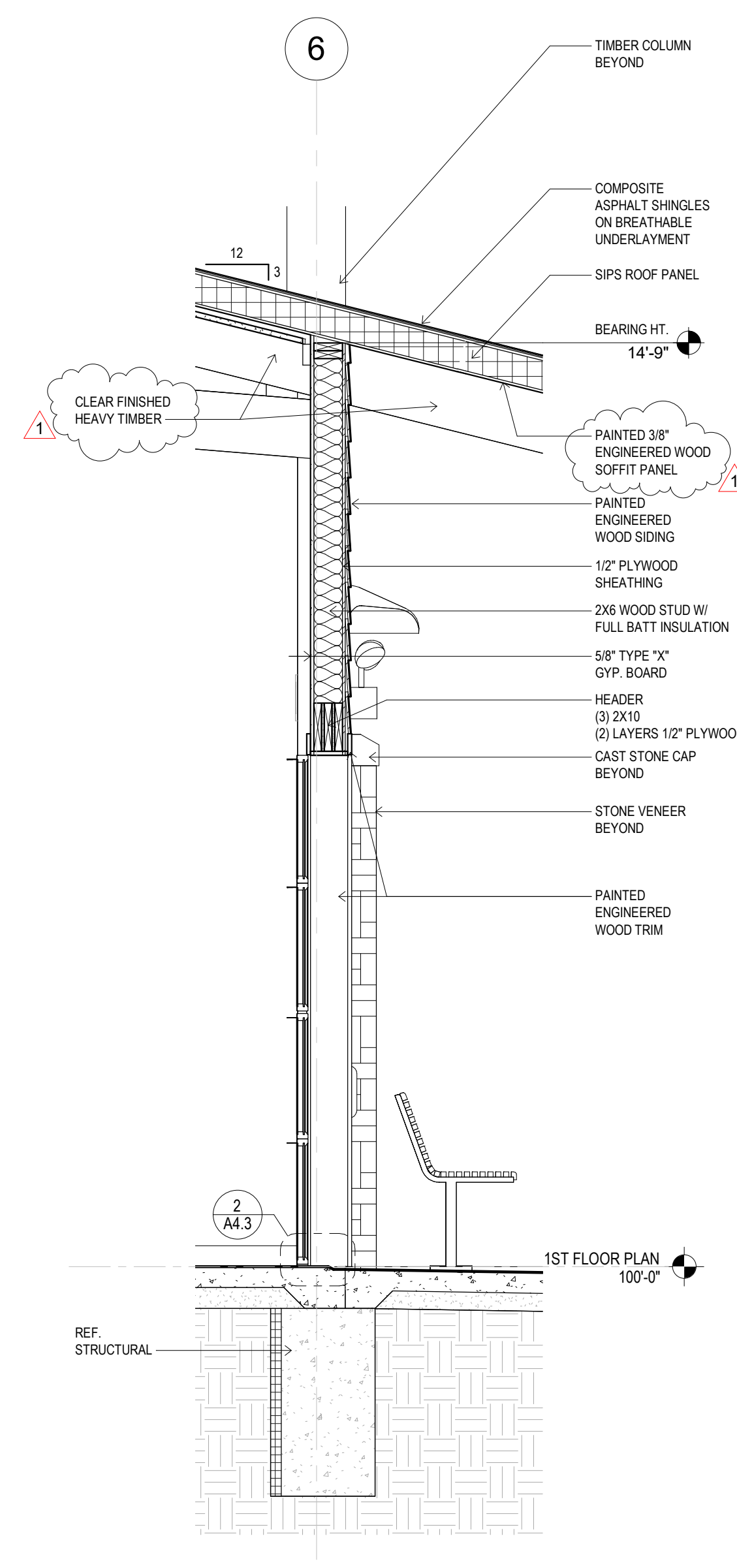
**1 WALL SECTION 1**  
1/2" = 1'-0"



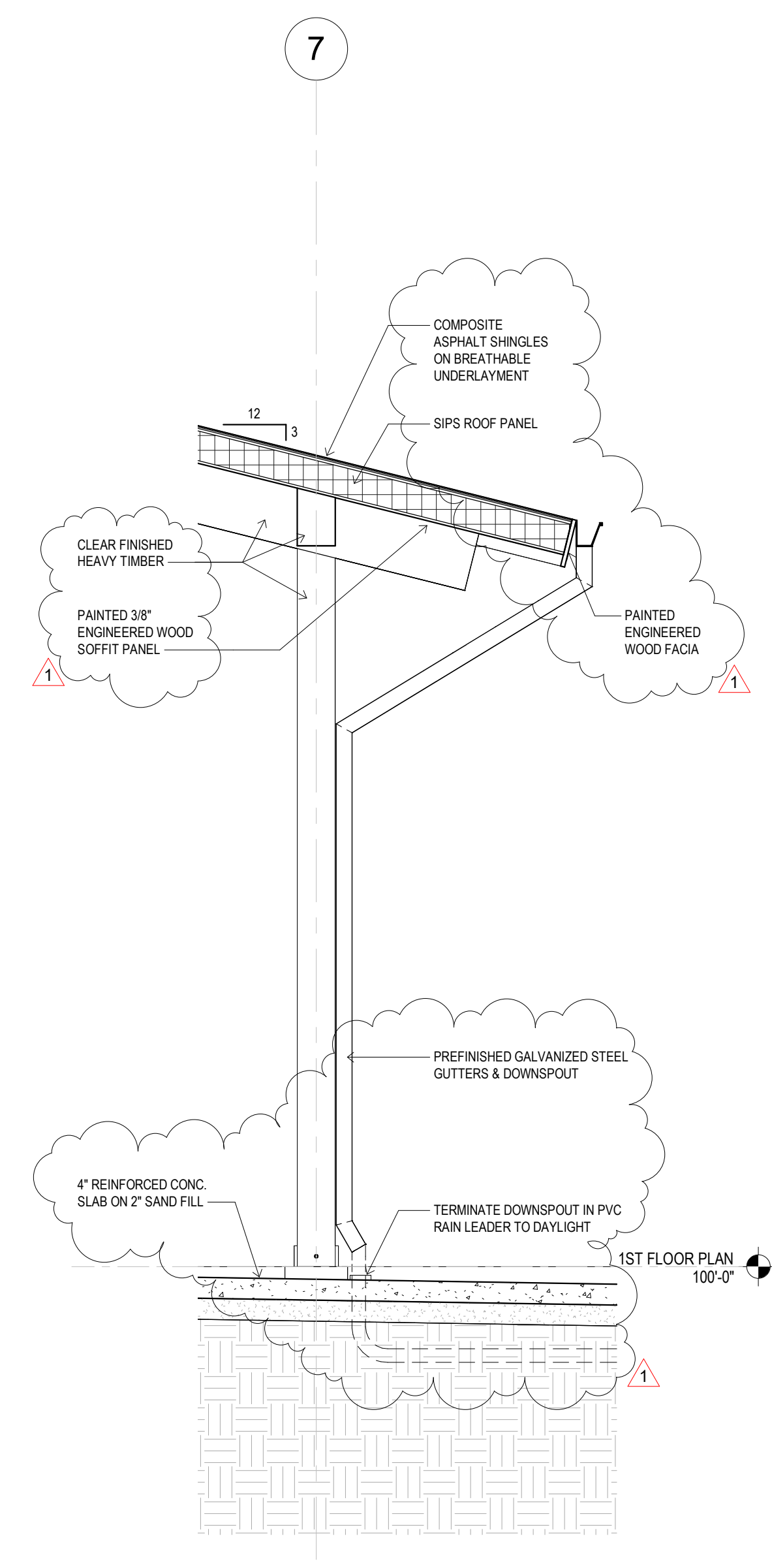
**2 WALL SECTION 2**  
1/2" = 1'-0"



**3 WALL SECTION 3**  
1/2" = 1'-0"



**4 WALL SECTION 4**  
1/2" = 1'-0"



**5 WALL SECTION 5**  
1/2" = 1'-0"