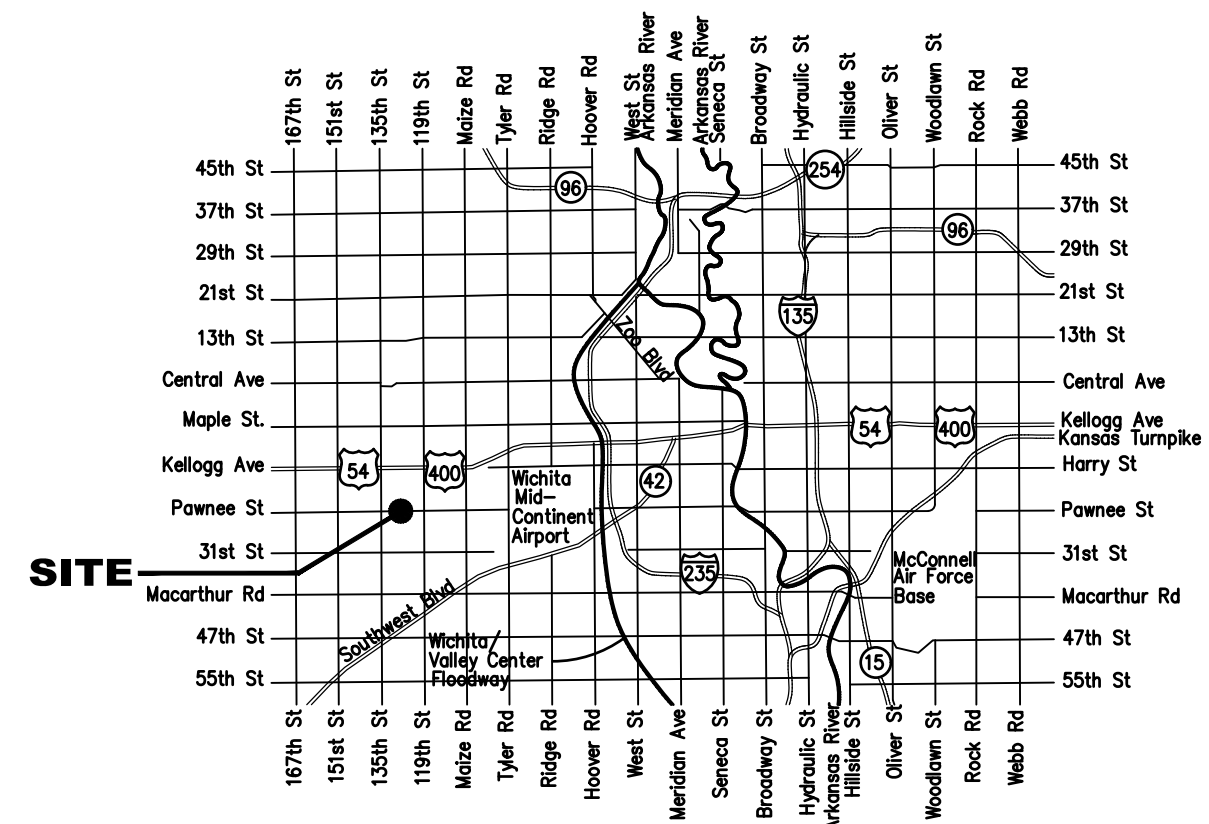


Paving & Stormwater Improvements to serve **PAWNEE STREET** **119TH STREET to 135TH STREET** CITY OF WICHITA, KANSAS

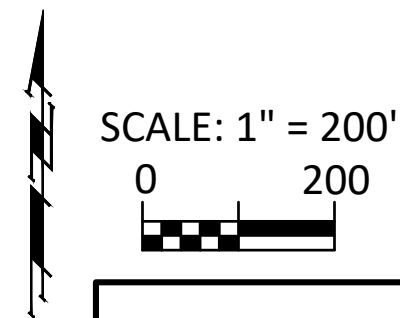
Gary Janzen, P.E. City Engineer
Project Number
472-2019-085556
OCA Number
707162

SHEET INDEX

PAVING PLANS	
1	Title Sheet
2	Keysheet
3	Notepage
4-7	Typical Pavement Sections
8-11	Paving Details
12-20	Pawnee Street Paving Plans
21	Valley Gutter Details
22-29	Pawnee Cross Sections
30-32	Marking & Signing Plan
33-37	Traffic Control Plan
38-41	Traffic Control Details
42-49	Storm Water Plan & Profiles
50-57	Storm Water Details
58	Seeding & Sodding Plan
59	Erosion Control Plan
60-64	BMP Details
65	Recap of Quantities
SANITARY SEWER PLANS	
66	Sanitary Sewer Title Sheet
67	Sanitary Sewer Relocation Plan & Profile
WATER PLANS	
68	Water Title Sheet
69-70	Water Line Plan & Profiles
71	Water Relocation Plan & Profile
72-73	Water Details



VICINITY MAP



SCALE: 1" = 200'

