

HINGED ROUND POST BOLLARD (HRP)

”The Original Multifunction Bollard”

Standard Features Include:

Ease of use in 5 easy steps:

1. Remove padlock
2. Remove locking pin
3. Lower bollard post
4. Replace locking pin
5. Allows vehicle access

Safety:

30” overall height and ”Safety Yellow” finish are standard for high visibility. Custom colors available upon request.

Heavy Duty:

Closed Steel Pipe Construction
Stainless Steel Locking Pin

Proven Performance:

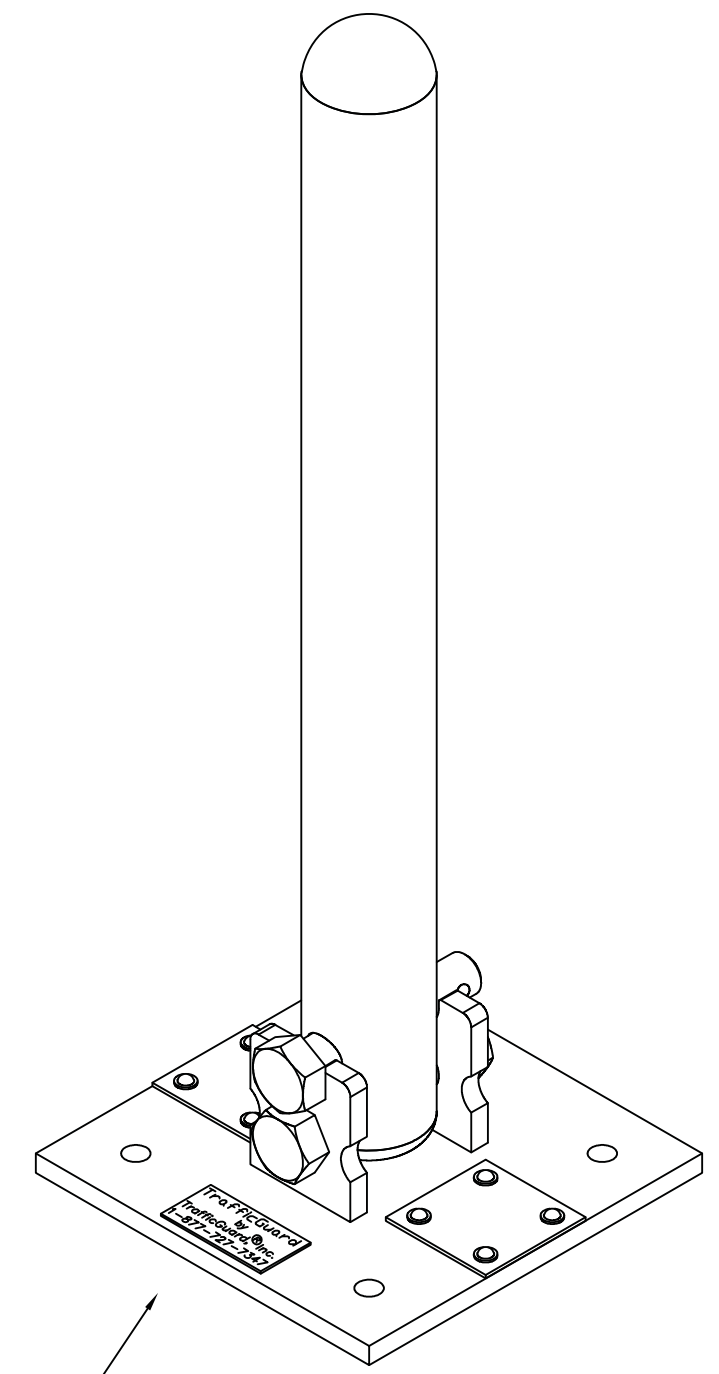
References Available Upon Request

Low Maintenance

Warranty

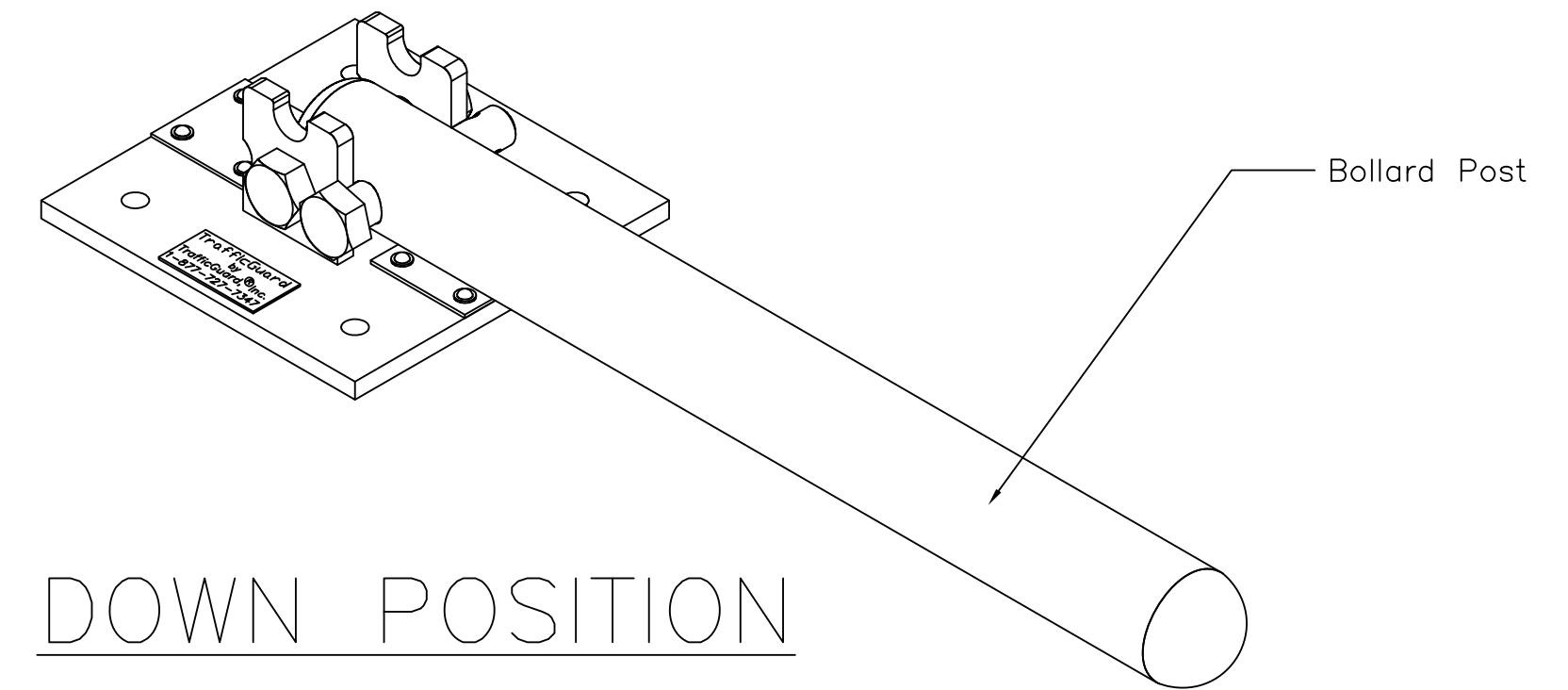
\$1,000,000 Liability Coverage

Orders for ”Safety Yellow” shipped in 48 hours.

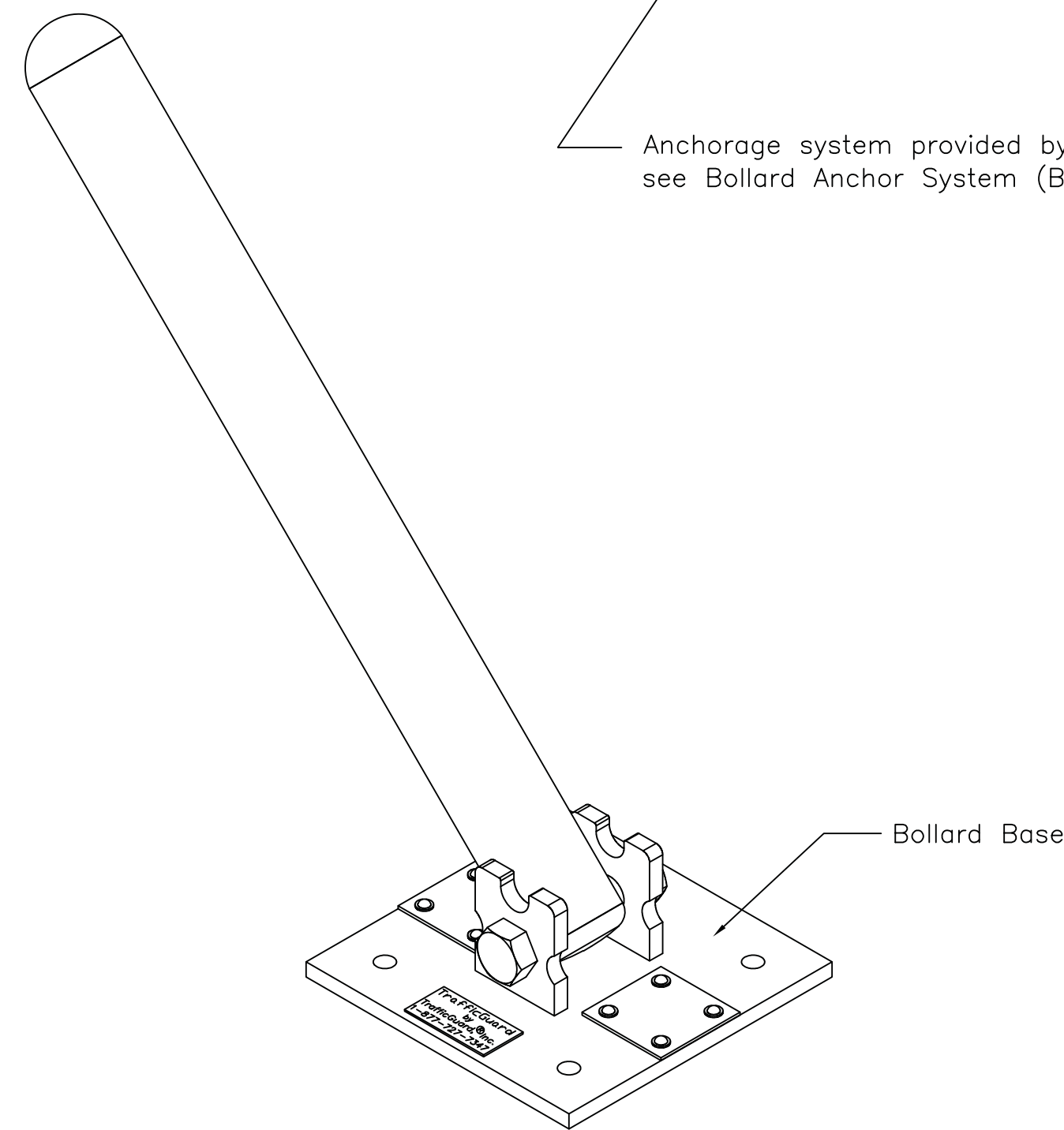


UP POSITION

Anchorage system provided by customer
see Bollard Anchor System (BAS) drawing



DOWN POSITION



45 DEGREE POSITION

PRODUCT HIGHLIGHTS

Traditional Round Post Bollard appearance

Features single locking pin for easy access

Clearance Height 4” in lowered position

Single Post design with 2-1/2” steel pipe

HINGED ROUND POST BOLLARD		THIRD ANGLE PROJECTION	TrafficGuard,® Inc.	
ISOMETRIC DISPLAY DRAWING		Do not scale from drawing	P.O. Box 201, Geneva, IL 60134 Bus: 877-727-7347 Fax: 800-814-7194	
CONSULTING ENGINEER: ZE Job # 04-119		Action by	SIZE	Weldment Shipping Weight
ZABEL ENGINEERING		Design WKZ	D	35.50 Pounds
CONSULTING ENGINEERS		Drawn CJD		Drawing Number: HRP1
203 South Rosedale Av., Aurora, IL 60506		Rev. by	Scale: 1 = 4	Drawing Date: 8-4-2002
Bus: 630-892-0698 Fax: 630-892-1087		Date		Sheet: 1 of 2
		Description		