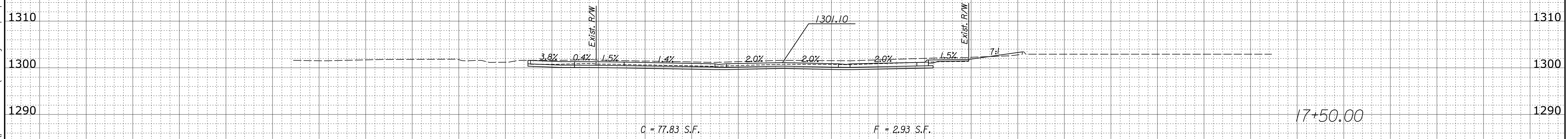
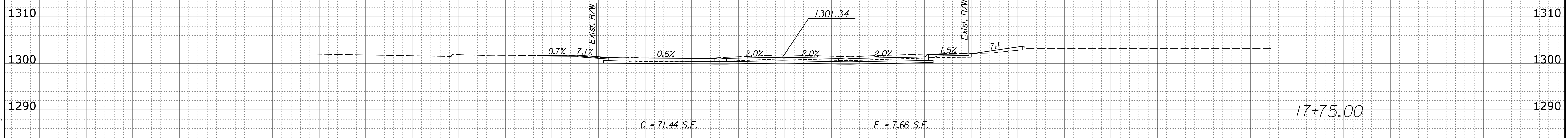
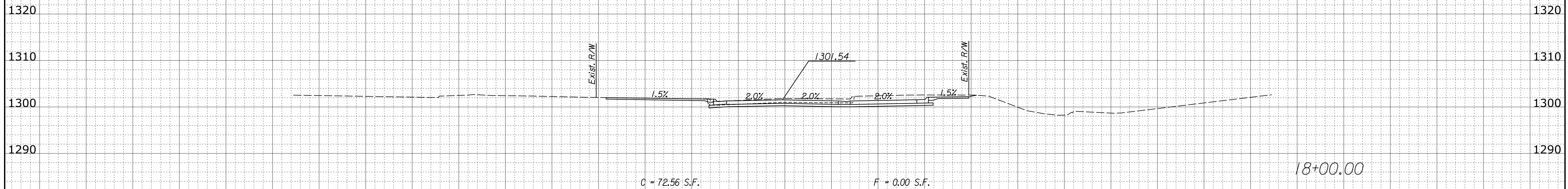


STATE	PROJECT NO.	YEAR	SHEET NO.	TOTAL SHEETS
KANSAS	472-85463	2020	92	97



Sycamore Street Improvements
17+50.00 to 18+00.00

Plotted B:\road
 File z:\transystems\pw_local\transyscorp-pw1\taummel\d0694545\C-RDW-M01-801.dgn