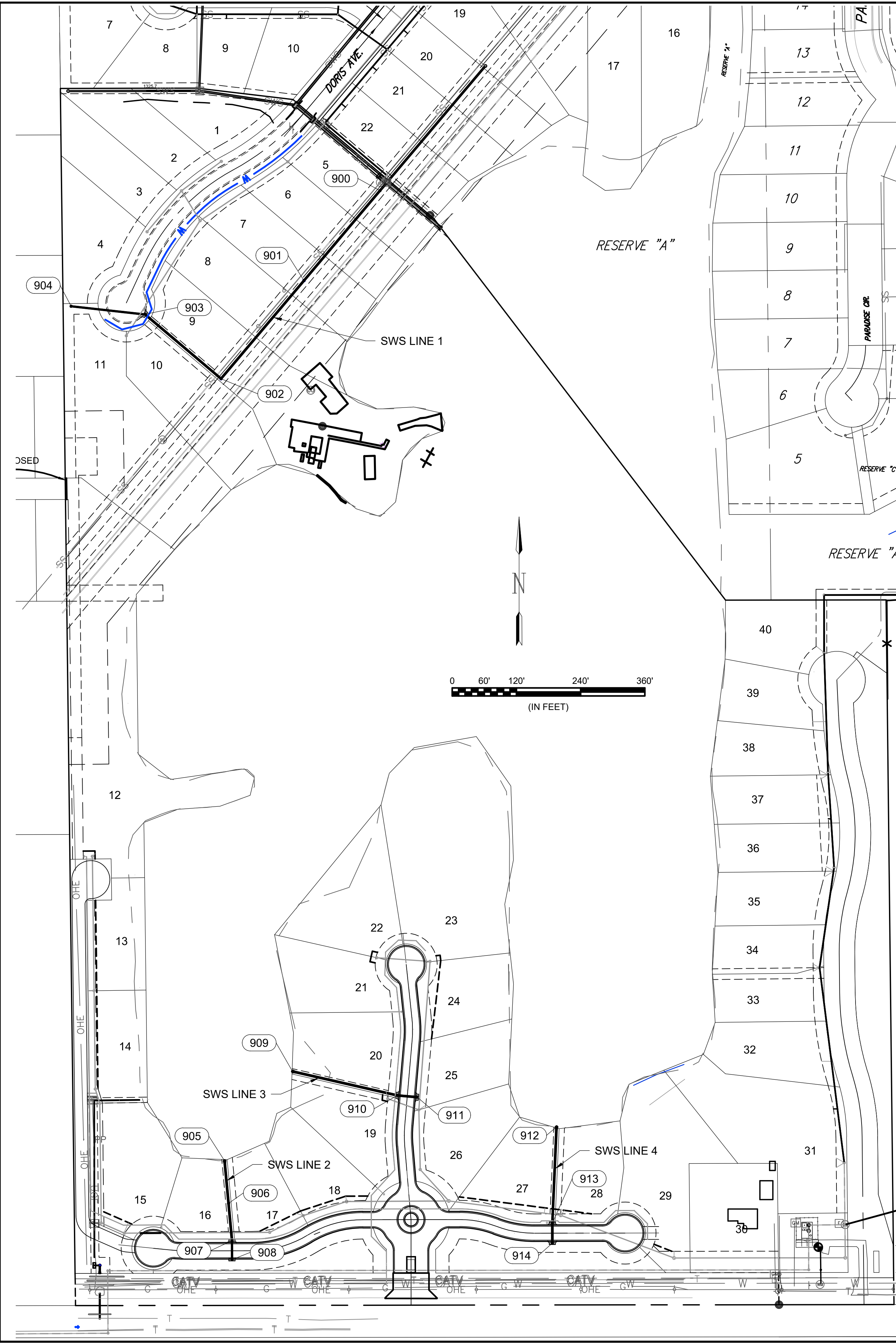




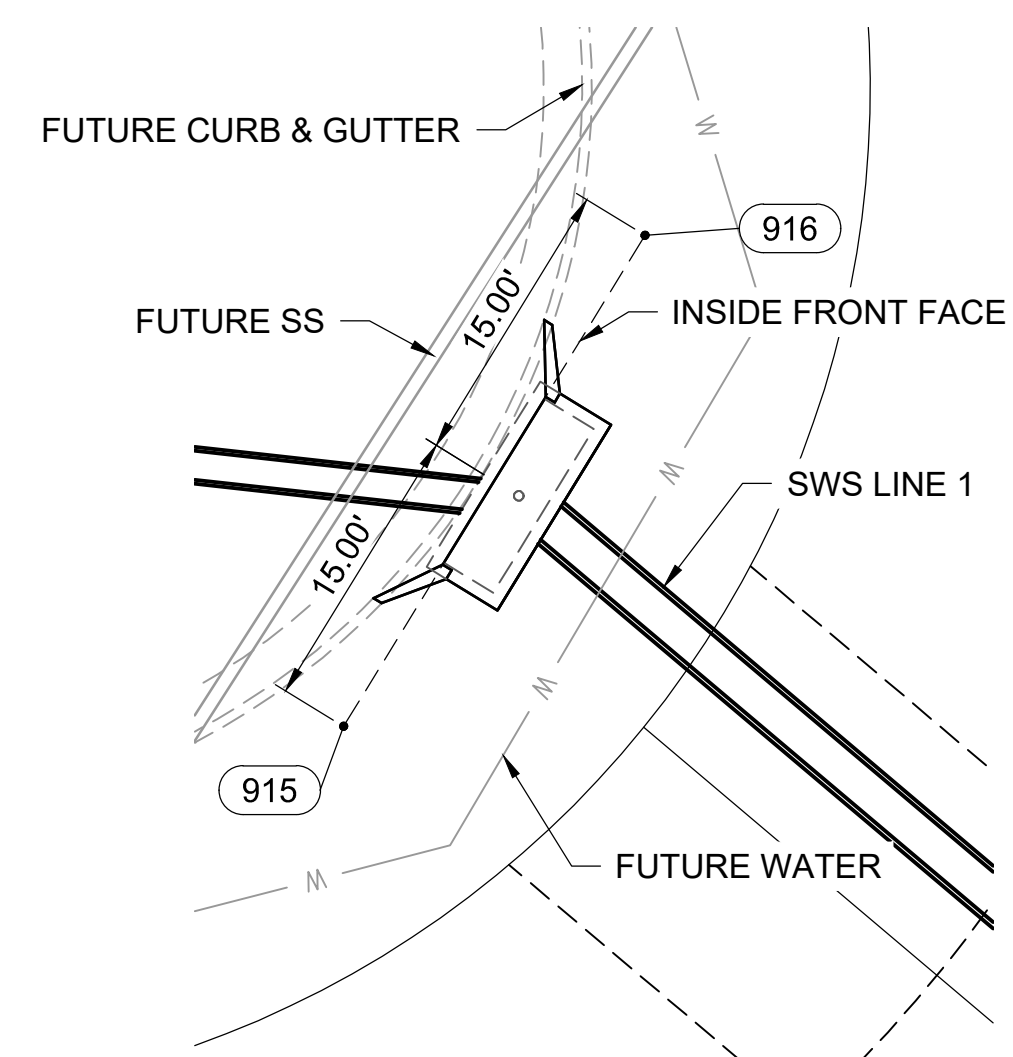
© 2020 GARVER, LLC  
 THIS DOCUMENT, ALONG WITH THE IDEAS AND DESIGNS CONVEYED HEREIN, SHALL BE CONSIDERED INSTRUMENTS OF PROFESSIONAL SERVICE AND ARE PROPERTY OF GARVER, LLC. ANY USE, REPRODUCTION, OR DISTRIBUTION OF THIS DOCUMENT, ALONG WITH THE IDEAS AND DESIGN CONTAINED HEREIN, IS PROHIBITED UNLESS AUTHORIZED IN WRITING BY GARVER, LLC OR EXPLICITLY ALLOWED IN THE GOVERNING PROFESSIONAL SERVICES AGREEMENT FOR THIS WORK.

8535 E. 21st St. N.  
 Suite 130  
 Wichita, KS 67206  
 (316) 264-8008

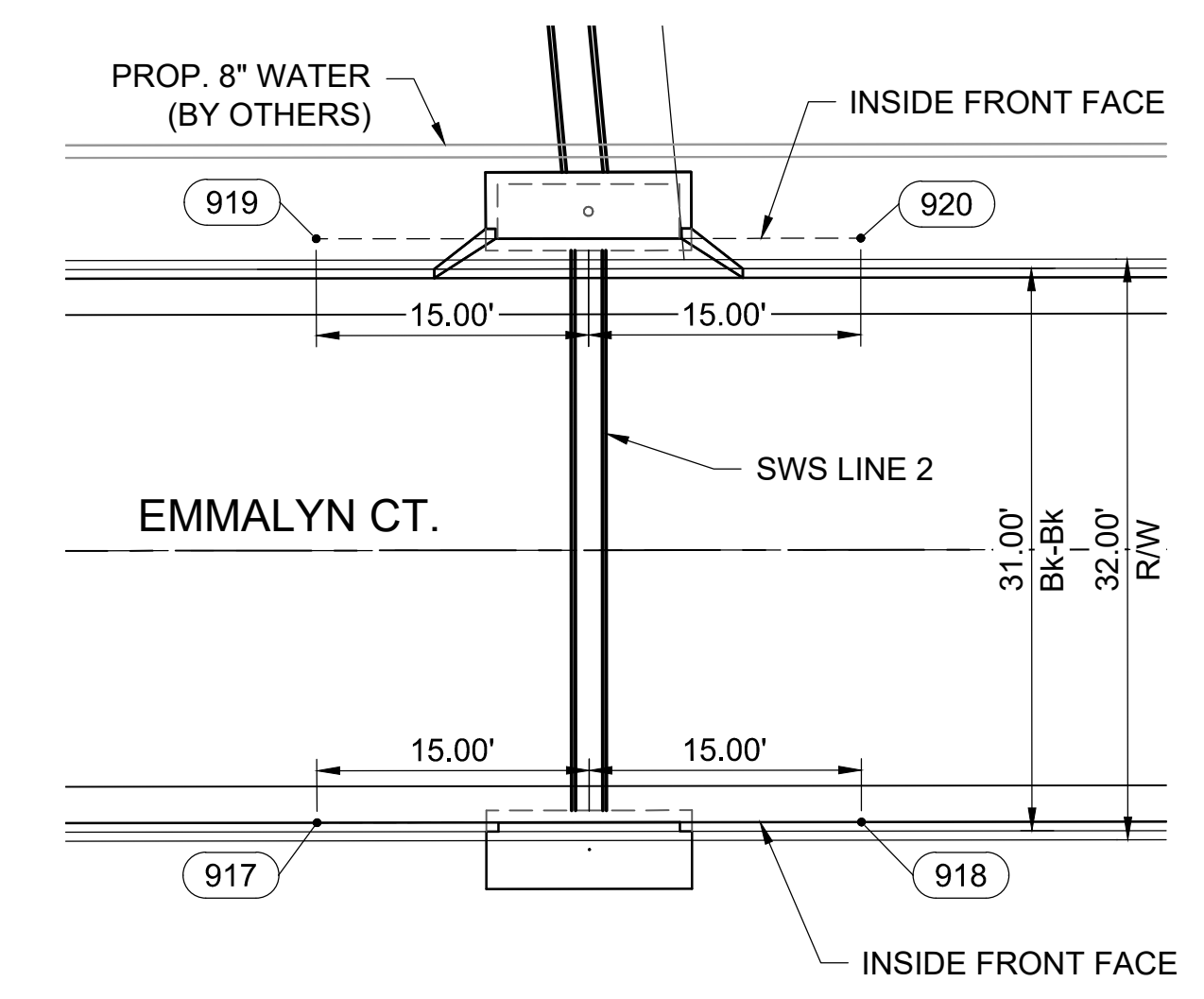


Point #	Northing	Easting	Description
900	1701245.57	1630242.55	CONNECT TO EXIST
901	1701077.57	1630100.50	BACKYARD INLET
902	1700894.30	1629945.55	BACKYARD INLET
903	1701014.53	1629803.35	3x10 TYPE 1A
904	1701029.53	1629665.36	BACKYARD INLET
905	1699433.47	1629952.10	END SECTION
906	1699353.81	1629959.52	MH
907	1699284.11	1629966.02	10x3 TYPE 1A
908	1699248.68	1629966.10	10x3 TYPE 1
909	1699600.24	1630079.15	END SECTION
910	1699555.44	1630274.93	10x3 TYPE 1A
911	1699552.17	1630312.10	10x3 TYPE 1A
912	1699496.66	1630572.41	END SECTION
913	1699316.81	1630564.58	10x3 TYPE 1A
914	1699279.48	1630564.63	10x3 TYPE 1A

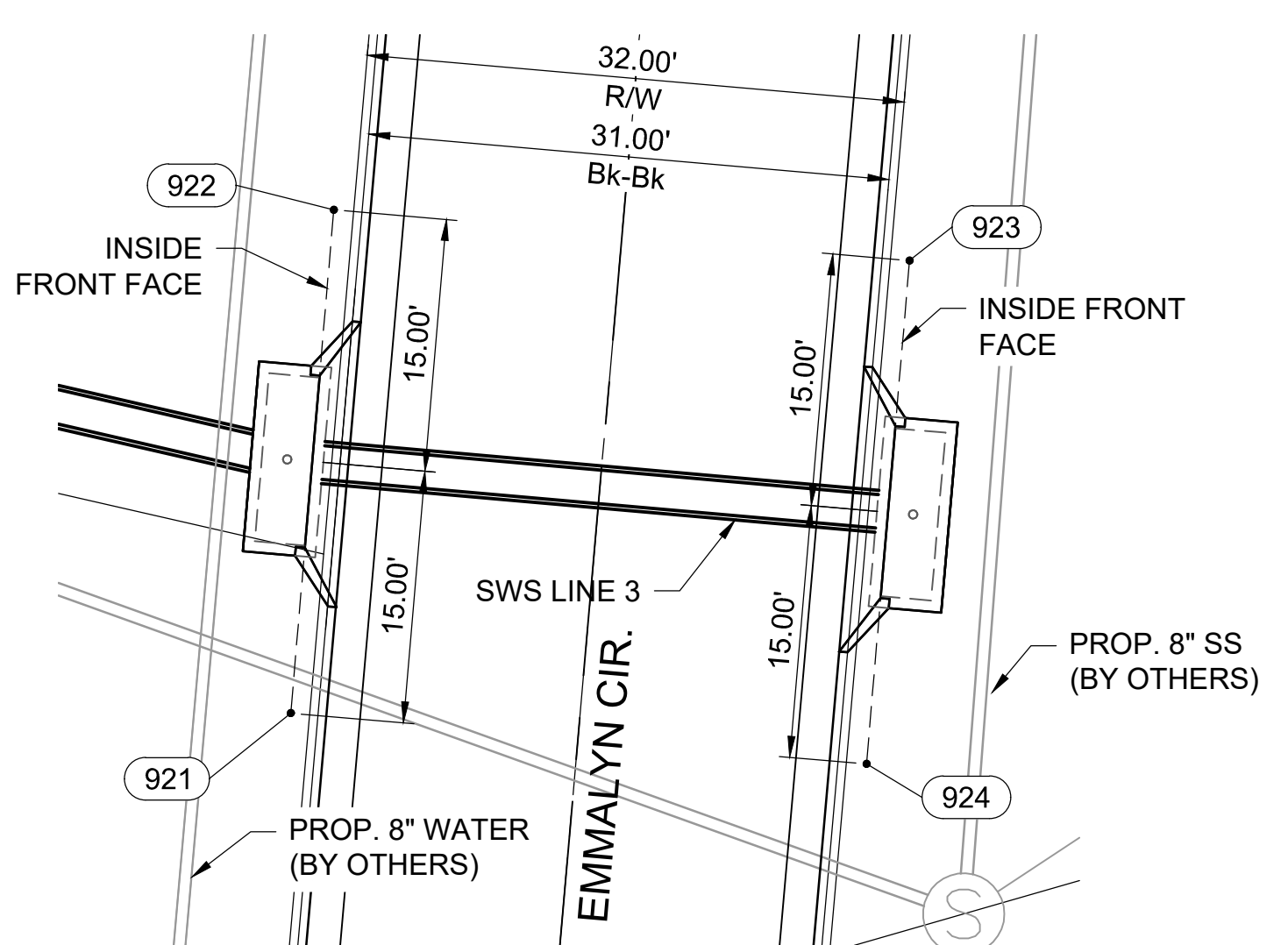
Point #	Northing	Easting	Description
915	1701002.53	1629794.23	INLET OFFSET
916	1701028.10	1629809.92	INLET OFFSET
917	1699250.15	1629951.09	INLET OFFSET
918	1699250.19	1629981.09	INLET OFFSET
919	1699282.32	1629951.05	INLET OFFSET
920	1699282.36	1629981.05	INLET OFFSET
921	1699540.37	1630275.14	INLET OFFSET
922	1699570.26	1630277.70	INLET OFFSET
923	1699567.25	1630311.89	INLET OFFSET
924	1699537.36	1630309.33	INLET OFFSET
925	1699315.30	1630549.58	INLET OFFSET
926	1699315.34	1630579.58	INLET OFFSET
927	1699280.96	1630549.62	INLET OFFSET
928	1699281.00	1630579.62	INLET OFFSET



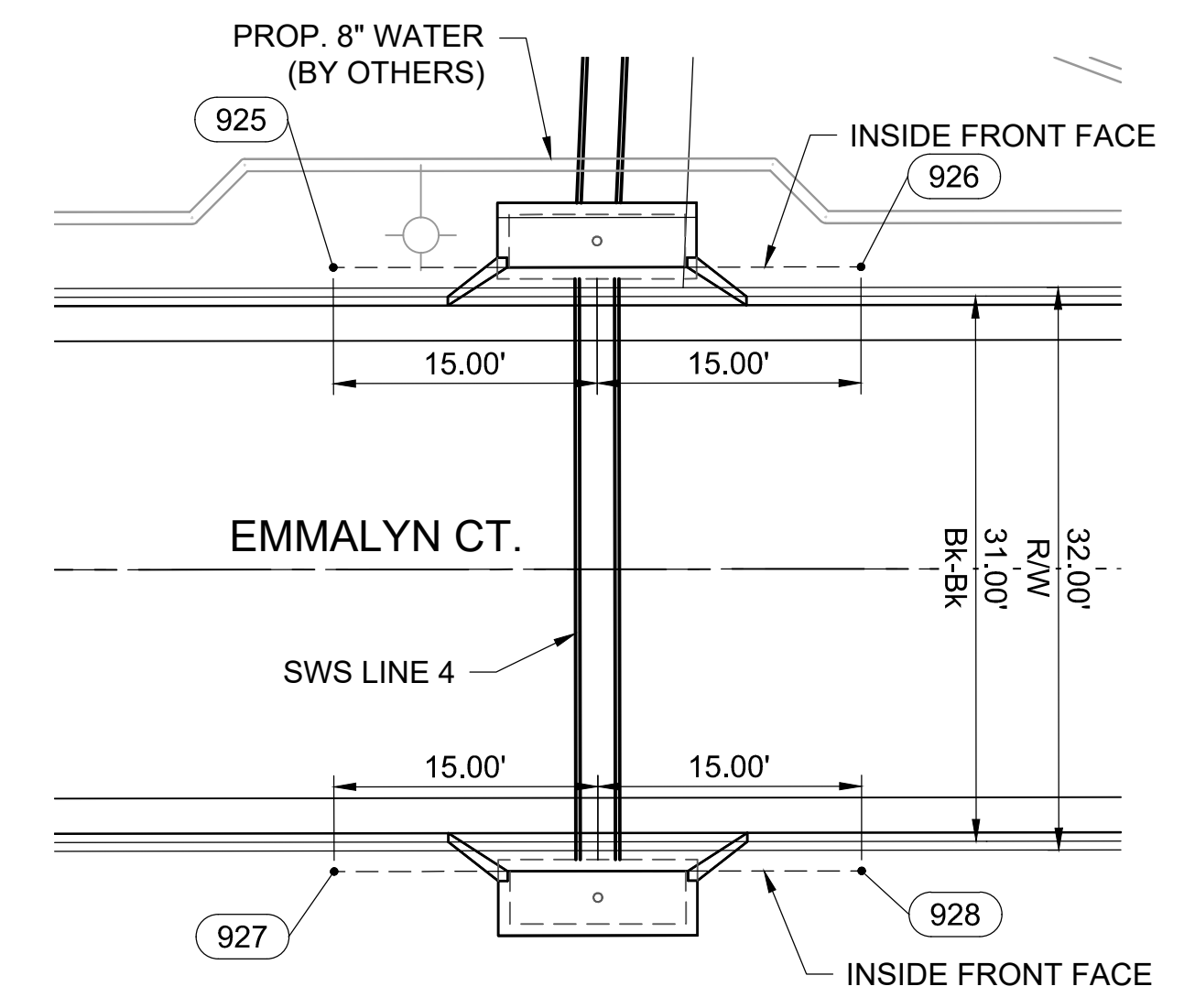
SWS LINE 1 INLET



SWS LINE 2 INLETS



SWS LINE 3 INLETS



SWS LINE 4 INLETS

File: L:\2019\19T41016 - Emerald Bay 4th PH 2\Drawings\C3D\BUBBLE MAPS.dwg Last Save: 5/5/2020 11:33 AM Last saved by: Drstrandrich  
 Last plotted by: Glover, Eric J. Plot Style: --- Plot Scale: 1:2.5649 Plot Date: 5/5/2020 2:22 PM Plotter Used: None

REV.	DATE	DESCRIPTION	BY



CITY OF WICHITA  
 WICHITA, KANSAS  
 EMERALD BAY 4th ADD.  
 PHASE 2 - SWS

SWS BUBBLE MAP

JOB NO.: 19T41016  
 DATE: MAY 2020  
 DESIGNED BY: ---  
 DRAWN BY: ---  
 BAR IS ONE INCH ON ORIGINAL DRAWING  
 0 1" IF NOT ONE INCH ON THIS SHEET, ADJUST SCALES ACCORDINGLY.