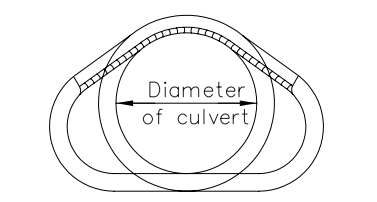
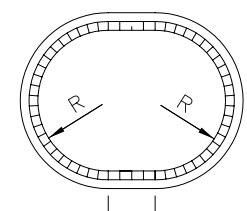


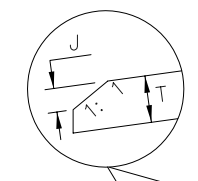
END ELEVATION (TYPE I)



SECTION A-A
Showing rounding of inside edge of end section.



END ELEVATION (TYPE III)

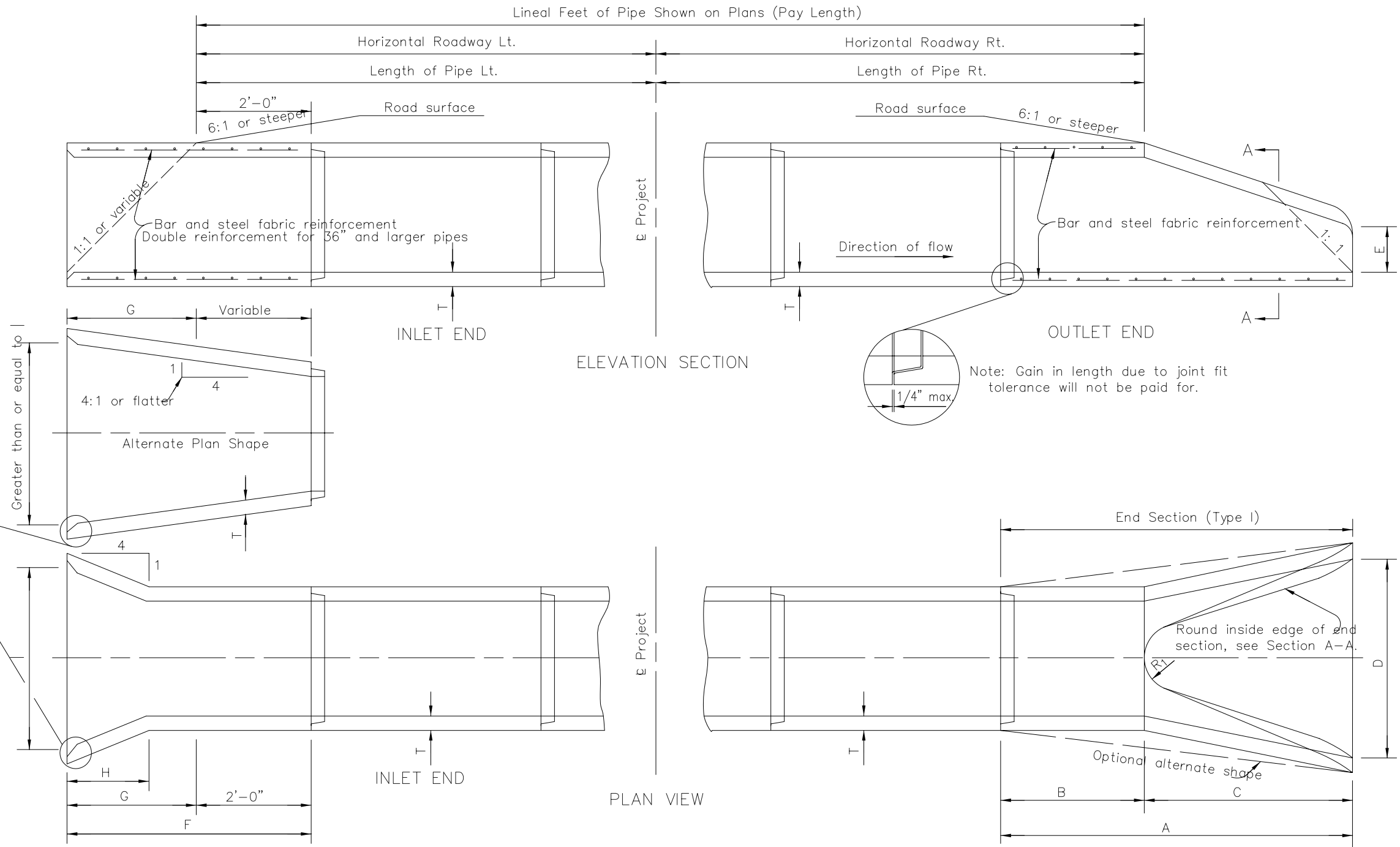


∅ Transition to round pipe.
Paid for as separate item of End Section, except when structures shall bid as alternates. In that case End Sections shall be subsidiary to bid item. Drainage Structure No. included in pay length of pipe.
Minimum waterway area is calculated at the inside of the bevel.

Diam.	A	B	C	D	E	R ₁	Slope	T
12"	6'-0 7/8"	4'-0 7/8"	2'-0"	2'-0"	4"	9	3: 1	2"
15"	6'-1"	3'-10"	2'-3"	2'-6"	6"	11	3: 1	2 1/4"
18"	6'-1"	3'-10"	2'-3"	3'-0"	9"	12	3: 1	2 1/2"
24"	6'-1 1/2"	2'-6"	3'-7 1/2"	4'-0"	9 1/2"	14	3: 1	3"
30"	6'-1 3/4"	1'-7 3/4"	4'-6"	5'-0"	1'-0"	15	3: 1	3 1/2"
36"	8'-1 3/4"	2'-10 3/4"	5'-3"	6'-0"	1'-3"	20	3: 1	4"
42"	8'-2"	2'-11"	5'-3"	6'-6"	1'-9"	22	3: 1	4 1/2"
48"	8'-2"	2'-2"	6'-0"	7'-0"	2'-0"	22	3: 1	5"
54"	8'-2 1/4"	2'-9 1/4"	5'-5"	7'-6"	2'-3"	24	2.4 : 1	5 1/2"
60"	8'-3"	3'-3"	5'-0"	8'-0"	2'-11"	24	2 : 1	6"
72"	8'-3"	1'-9"	6'-6"	9'-0"	3'-0"	24	1.86 : 1	7"
84"	9'-3 1/2"	1'-9"	7'-6 1/2"	10'-0"	3'-0"	24	1.6 : 1	8"

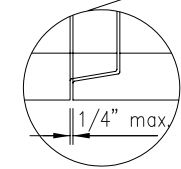
Diam.	Min. W.W. Area Sq.Ft.	F	G	H	I	J	K	R	T
24"	4.5	4'-3"	2'-3"	1'-5 1/8"	2'-8"	1 1/2"	8"	1'-0"	3"
30"	7.0	4'-9 1/2"	2'-9 1/2"	1'-9 1/2"	3'-4"	2"	10"	1'-3"	3 1/2"
36"	10.1	5'-4"	3'-4"	2'-1 1/2"	4'-0"	2"	1'-0"	1'-6"	4"
42"	13.7	5'-10 1/2"	3'-10 1/2"	2'-5 1/8"	4'-8"	2 1/2"	1'-2"	1'-9"	4 1/2"
48"	17.9	6'-5"	4'-5"	2'-10 1/8"	5'-4"	3"	1'-4"	2'-0"	5"
54"	22.7	6'-11 1/2"	4'-11 1/2"	3'-2 1/2"	6'-0"	3 1/2"	1'-6"	2'-3"	5 1/2"
60"	28.0	7'-6"	5'-6"	3'-6 1/8"	6'-8"	4"	1'-8"	2'-6"	6"
72"	40.3	8'-7"	6'-7"	4'-3 3/8"	8'-0"	5"	2'-0"	3'-0"	7"
84"	54.8	9'-8"	7'-8"	5'-0 3/8"	9'-4"	6"	2'-4"	3'-6"	8"

Dimensions for alternate shapes shall be equal to or greater than those shown in the table, unless otherwise shown.



ELEVATION SECTION

PLAN VIEW



Note: Gain in length due to joint fit tolerance will not be paid for.

Station	Location	Type	Size	Crown Grade Elev.	Flow line		Horizontal Roadway		Degree of Rotation	Length of Pipe		Lin.Ft. of Pipe	End Sections							
					LT.	RT.	LT.	RT.		LT.	RT.		Type I	Type III	LT.	RT.				
0+33.10		RCP	18"			1313.55														

OUTLET END
Note: The culverts listed on this sheet may or may not indicate that the culvert installed will be reinforced concrete, steel, or aluminum.

NO.	DATE	REVISIONS	BY	APP'D.

KANSAS DEPARTMENT OF TRANSPORTATION
CONCRETE END SECTIONS FOR CONCRETE PIPES TYPE I & SIDE TAPERED INLET

RD662
DESIGNED BY: James O. Brewer
CHECKED BY: TRACED BOWSER
APP'D. BY: QUAN-CK. SEITZ