

**Model: Steelworx Custom Radius Pergola, 12' x 27'**  
**Model # RP-1227-SW-C**

**Design Criteria:** Structure shall be designed to meet site specific snow and wind load design criteria using most current applicable building codes

**Steel:** All structural members are ASTM A-500 U.S. grade B steel. Welded connection plates shall be ASTM A-36 hot rolled steel. Standard column dimensions shall be 6" x 6" x 3/16" tubular steel welded to a 5/8" base plate for surface mounting with anchor bolts included. Main support curved rafters are 8" x 4" x 3/8" and lattice is 6" x 2" x 1/8". All steel connections to be bolted or screwed in place on-site. Steel sizes are preliminary and may change due to ongoing review and final engineering.

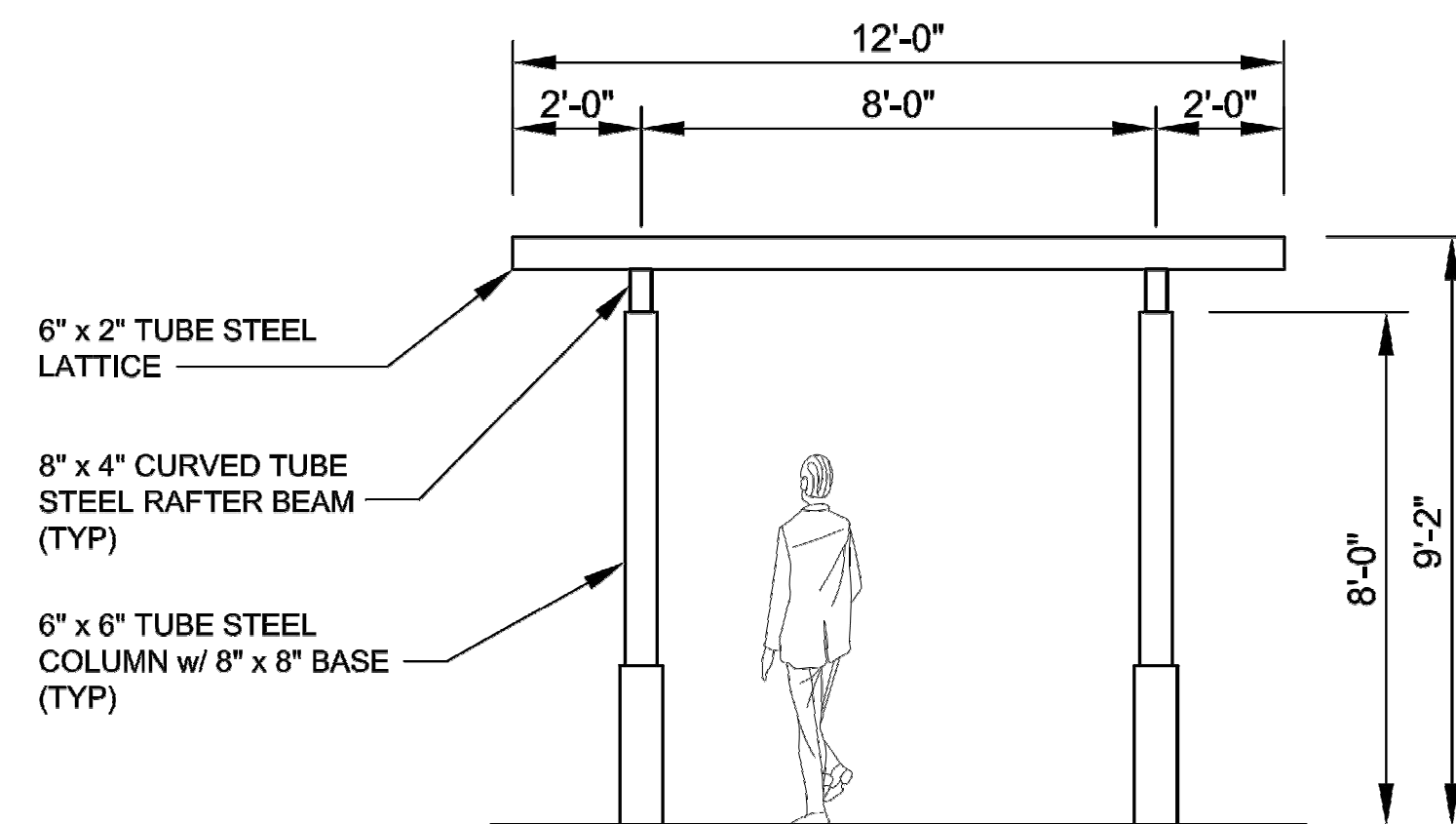
**Frame Finish:** All steel framework will receive a corrosion protective TGIC Polyester powder coat, electro-statically applied and cured at 400°F. A large selection of standard colors are available.

**Foundation:** All columns need to be anchored to concrete footings (footing design provided separately). Columns can be surface mounted with anchor bolts at or below finish slab elevation or they can be embedded directly into the footing. Optional base plate covers are available at an additional cost.

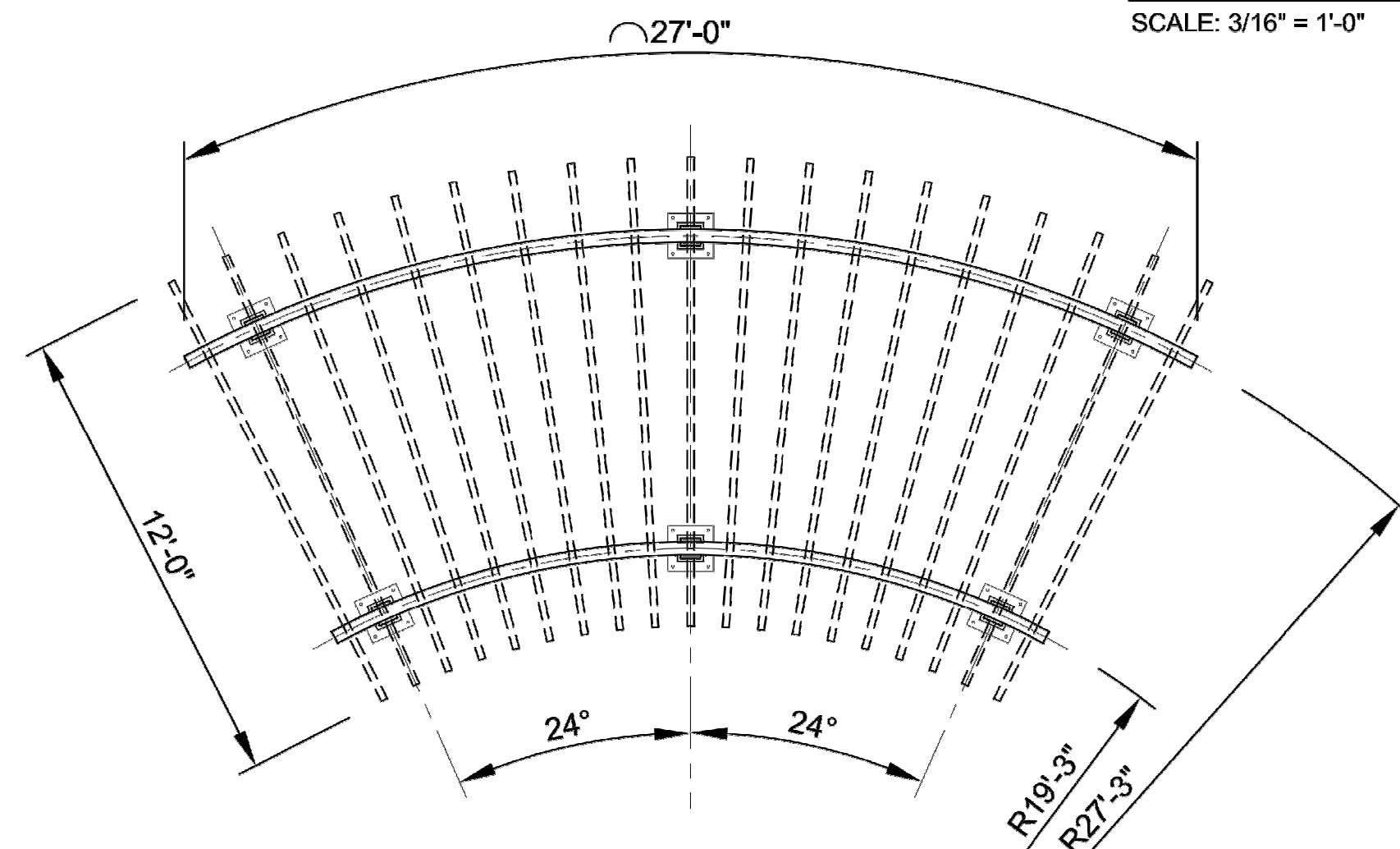
**Hardware:** All structural hardware shall be provided.

**Warranty:** 10 years against manufacturer defects.

**Not Included:** Concrete work of any kind, unloading of product and installation.



**END ELEVATION**  
 SCALE: 3/16" = 1'-0"



**FRAMING PLAN**  
 SCALE: NTS



11800 East 9 Mile Road  
 Warren, MI 48089  
 Office: (586) 486-1088  
 Fax: (586) 754-9130  
 Toll Free: (800) 657-6118  
 Email: info@coverworx.net  
 www.Coverworx.com

**Steelworx Custom Radius Pergola - 12' x 27'**

**Model: RP-1227-SW-C**

**DESIGN SPECIFICATIONS**

**Model: Steelworx Custom Radius Pergola, 12' x 91'**  
**Model # RP-1291-SW-C**

**Design Criteria:** Structure shall be designed to meet site specific snow and wind load design criteria using most current applicable building codes

**Steel:** All structural members are ASTM A-500 U.S. grade B steel. Welded connection plates shall be ASTM A-36 hot rolled steel. Standard column dimensions shall be 6" x 6" x 3/16" tubular steel welded to a 5/8" base plate for surface mounting with anchor bolts included. Main support curved rafters are 8" x 4" x 3/8" and lattice is 6" x 2" x 1/8". All steel connections to be bolted or screwed in place on-site. Steel sizes are preliminary and may change due to ongoing review and final engineering.

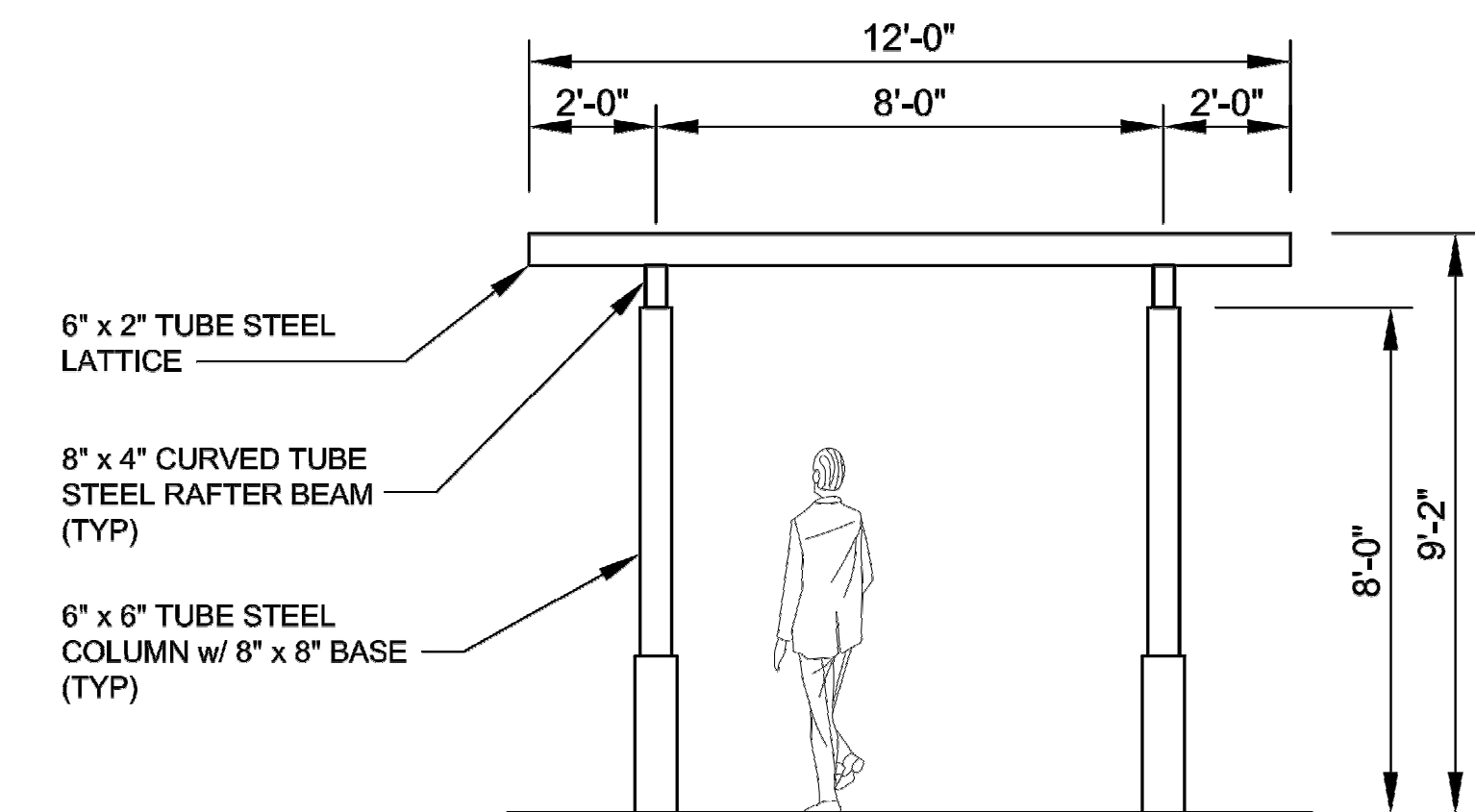
**Frame Finish:** All steel framework will receive a corrosion protective TGIC Polyester powder coat, electro-statically applied and cured at 400°F. A large selection of standard colors are available.

**Foundation:** All columns need to be anchored to concrete footings (footing design provided separately). Columns can be surface mounted with anchor bolts at or below finish slab elevation or they can be embedded directly into the footing. Optional base plate covers are available at an additional cost.

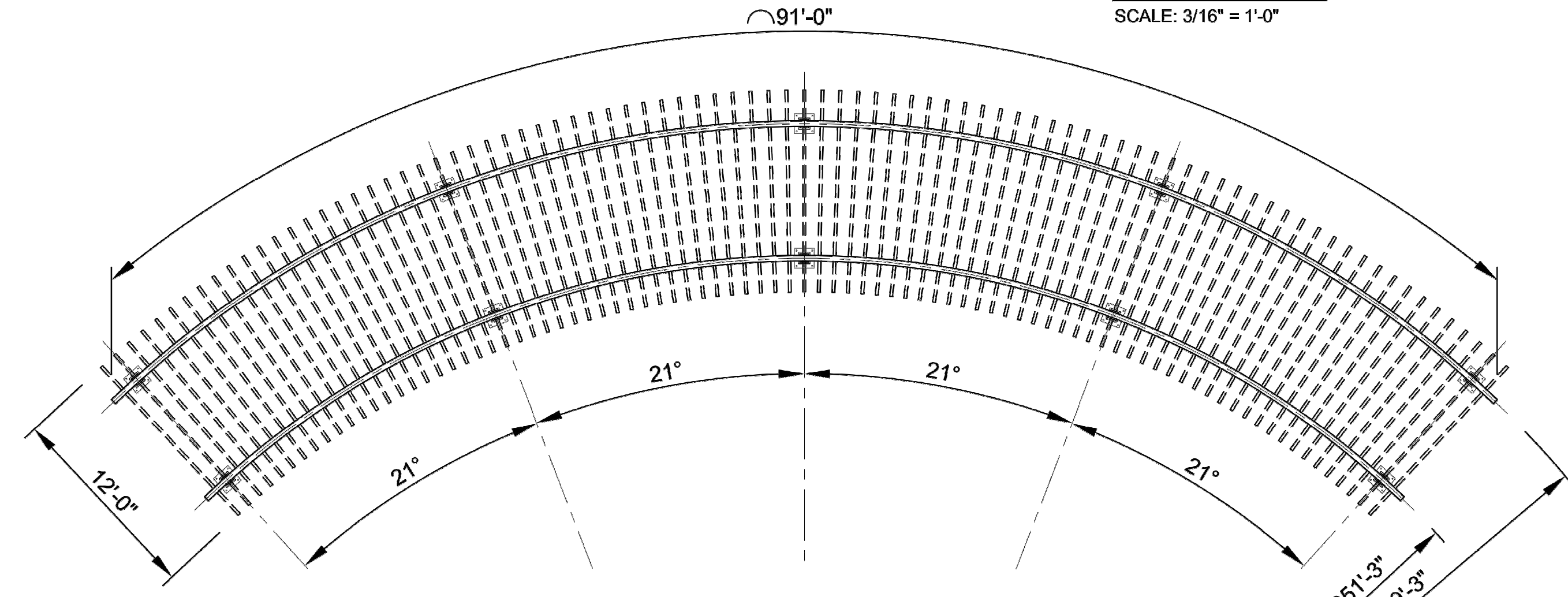
**Hardware:** All structural hardware shall be provided.

**Warranty:** 10 years against manufacturer defects.

**Not Included:** Concrete work of any kind, unloading of product and installation.



**END ELEVATION**  
 SCALE: 3/16" = 1'-0"



**FRAMING PLAN**  
 SCALE: NTS



11800 East 9 Mile Road  
 Warren, MI 48089  
 Office: (586) 486-1088  
 Fax: (586) 754-9130  
 Toll Free: (800) 657-6118  
 Email: info@coverworx.net  
 www.Coverworx.com

**Steelworx Custom Radius Pergola - 12' x 91'**

**Model: RP-1291-SW-C**

**DESIGN SPECIFICATIONS**



**WICHITA, KANSAS**  
**Pool Improvements**  
**HARVEST PARK**



Seal:

Nick Steib - Landscape Architect  
 LICENSE #0718

Date: 08-14-20 Job #: 18-512

Drawn: RTT Checked: NLS

Issue: FOR BID

**LANDSCAPE  
 DETAILS**

**LS-05**