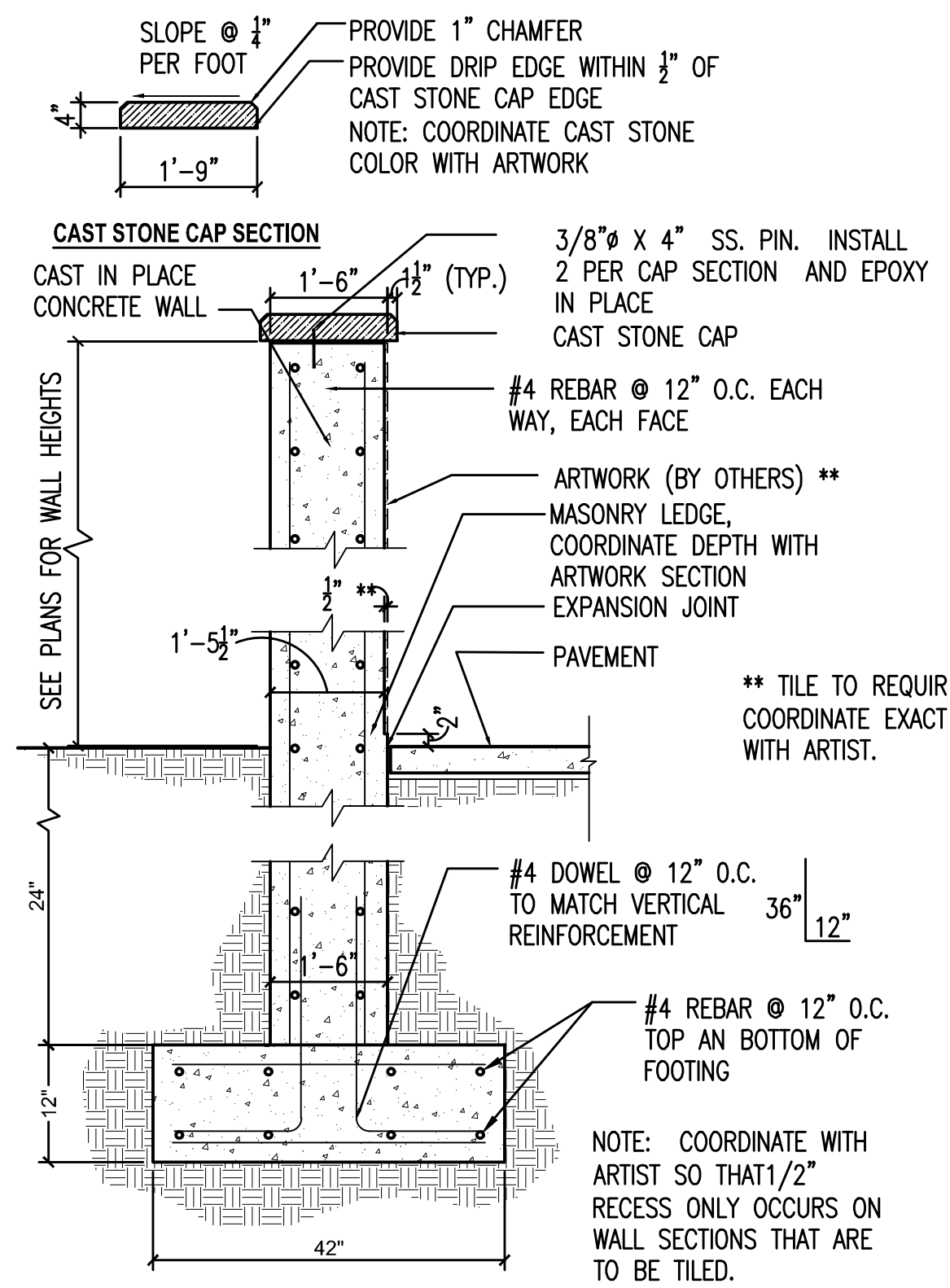


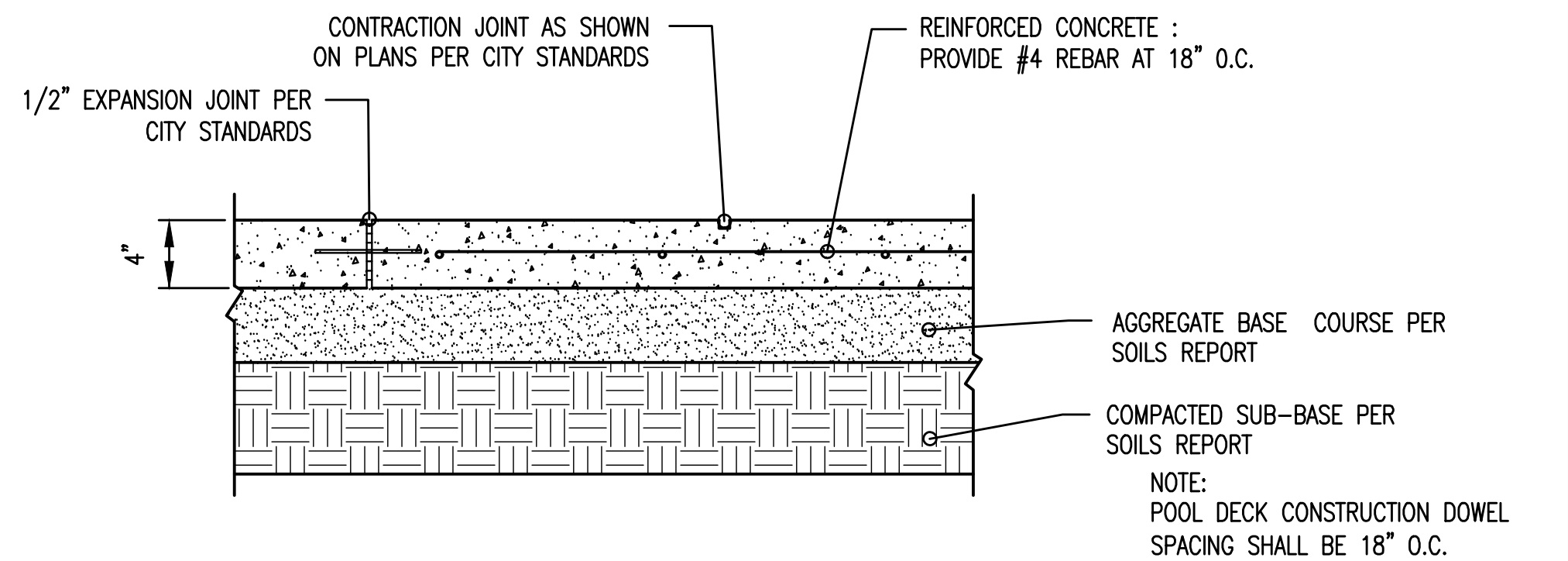
**1 ARTIFICIAL TURF INSTALLATION**

NOT TO SCALE



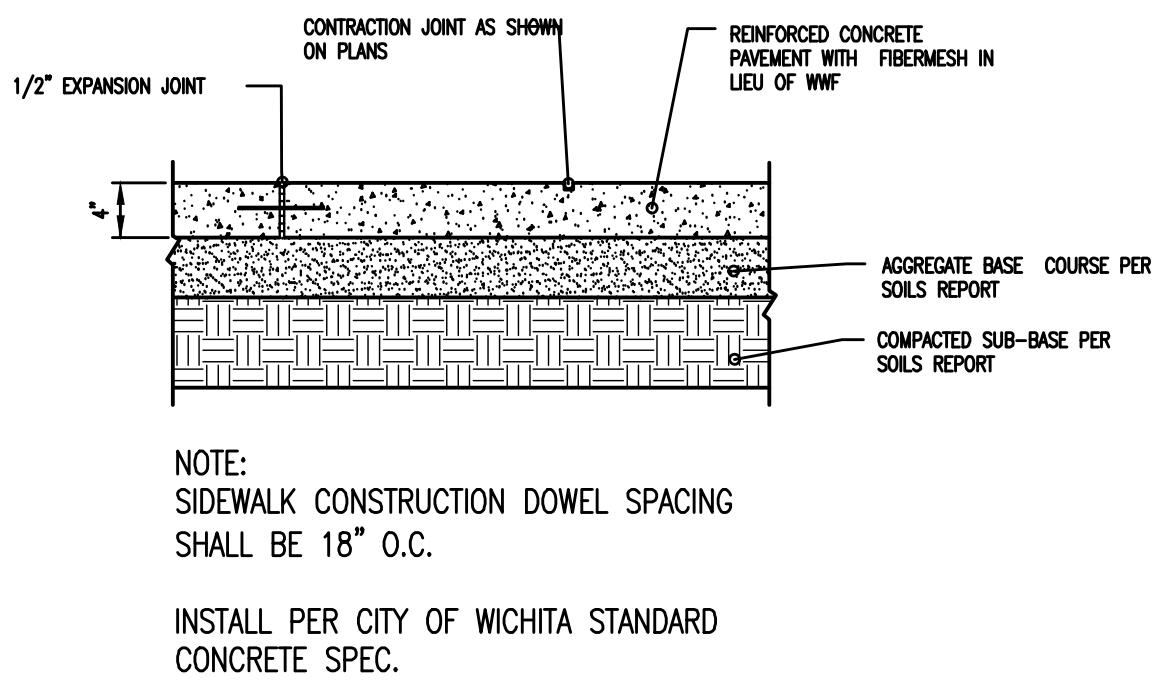
**5 CONCRETE WALL WITH CAP**

NOT TO SCALE



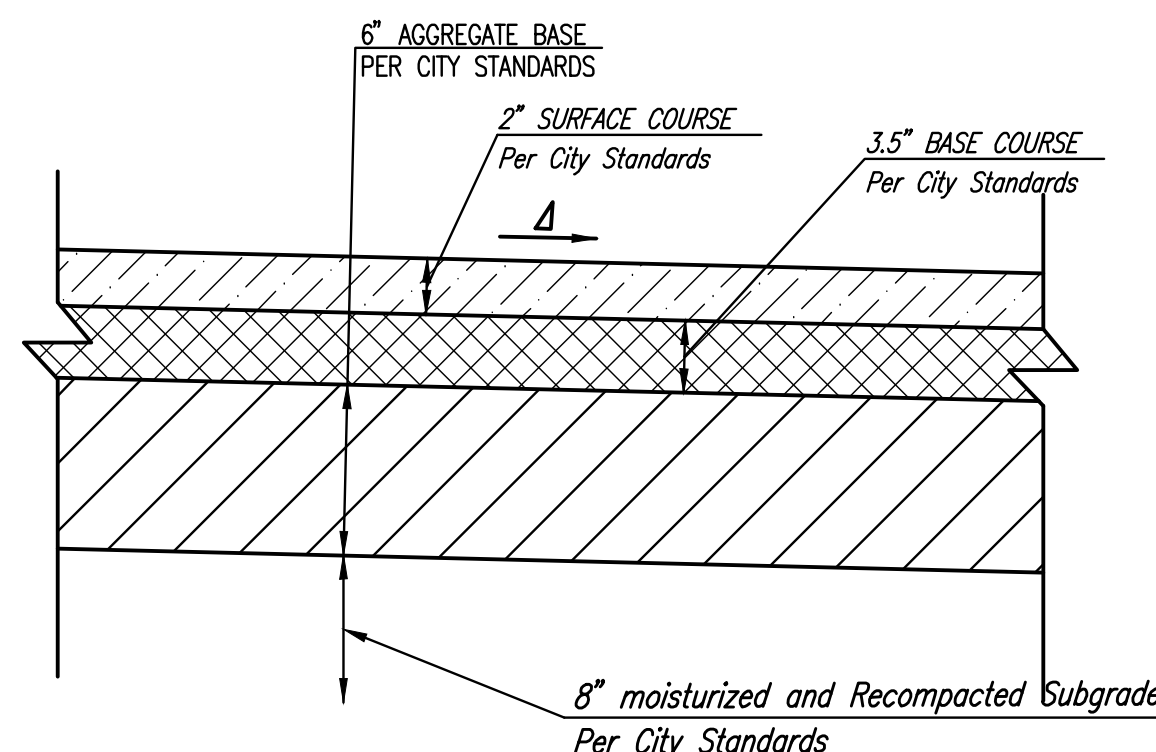
**2 POOL DECK PAVEMENT**

NOT TO SCALE



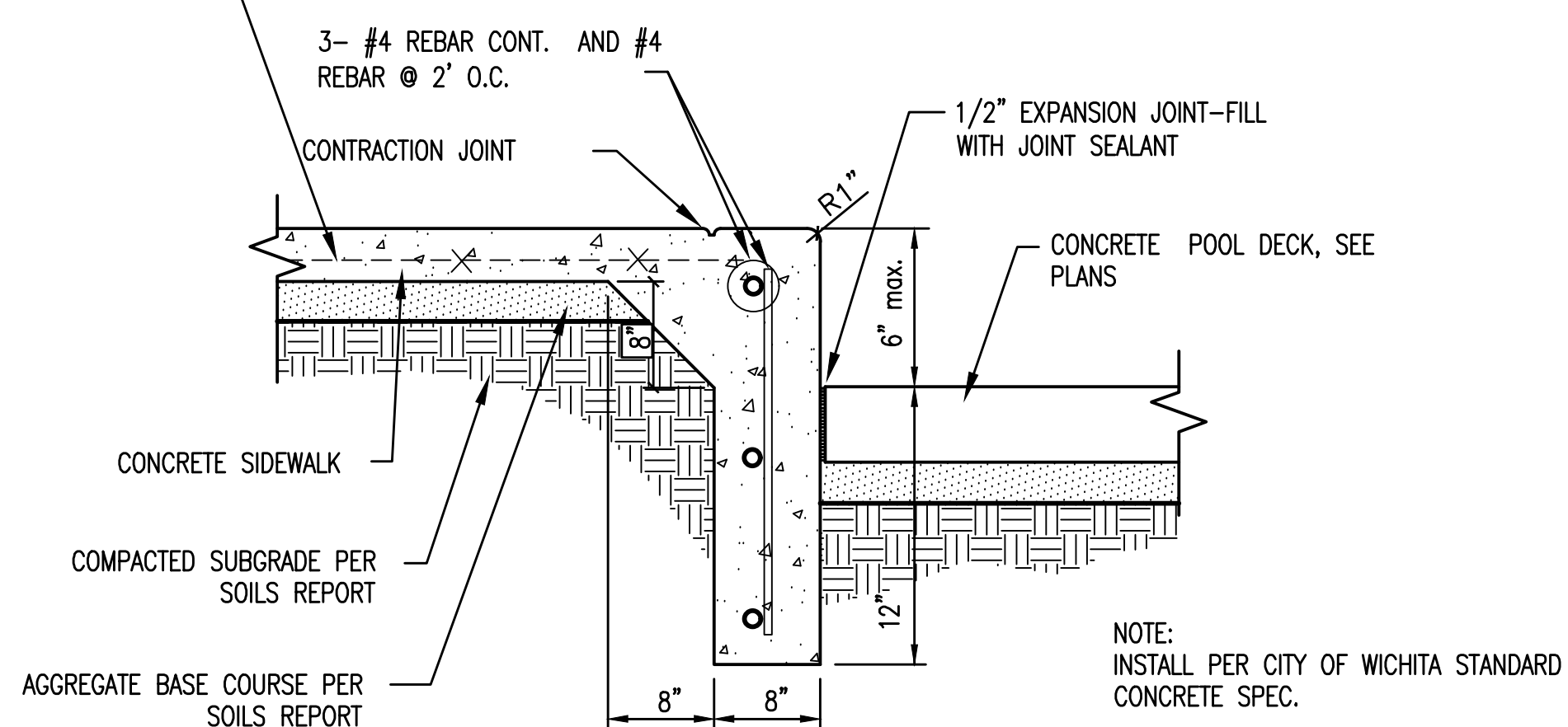
**3 SIDEWALK DETAIL**

NOT TO SCALE



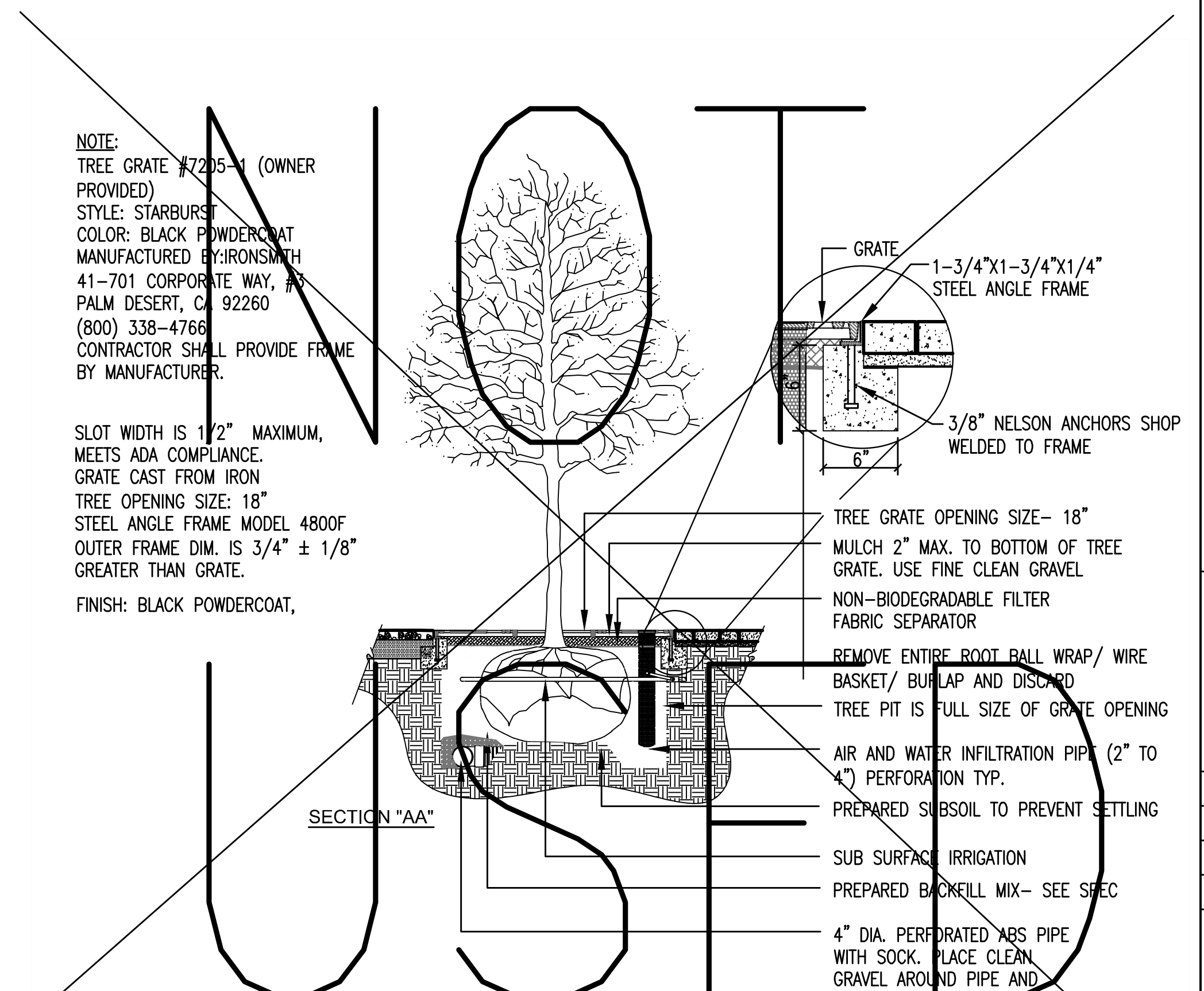
**6 ASPHALT PAVEMENT SECTION**

NOT TO SCALE



**4 STEP DETAIL**

NOT TO SCALE



**7 TREE GRATE INSTALLATION**

NOT TO SCALE

**SITE DETAILS**

Saved: 08-14-2020 7:56:44 AM by NICK STAB  
 Plot Scale: 1:1 08-14-2020 3:57:37 PM by ROY THOMAS  
 U:\Wichita-Civil\2018\180189\001\Drawings\Minisa\180189-01-SA-05-Site Details

