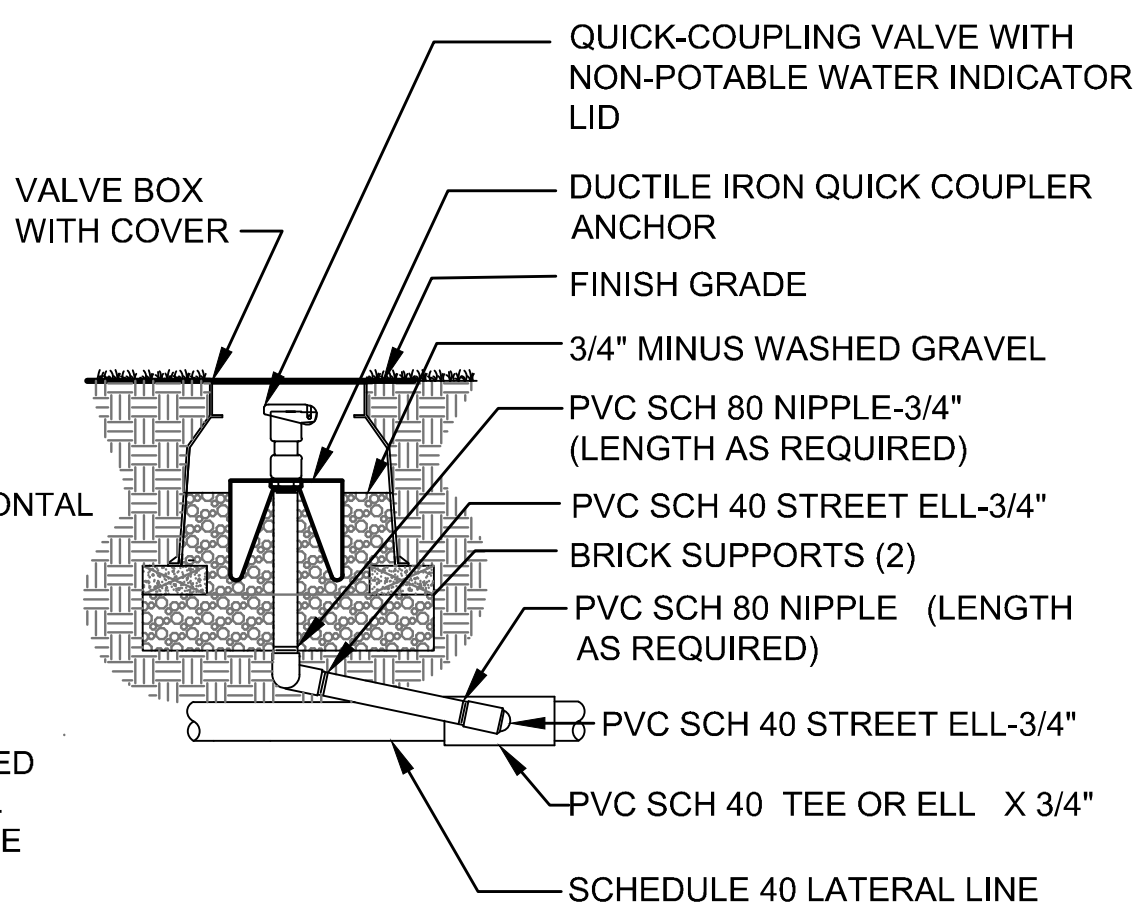
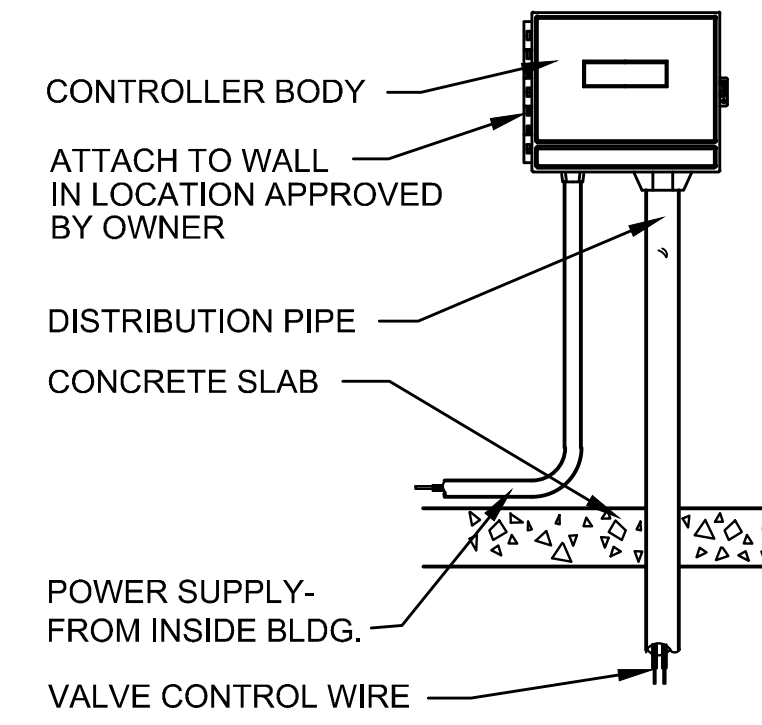


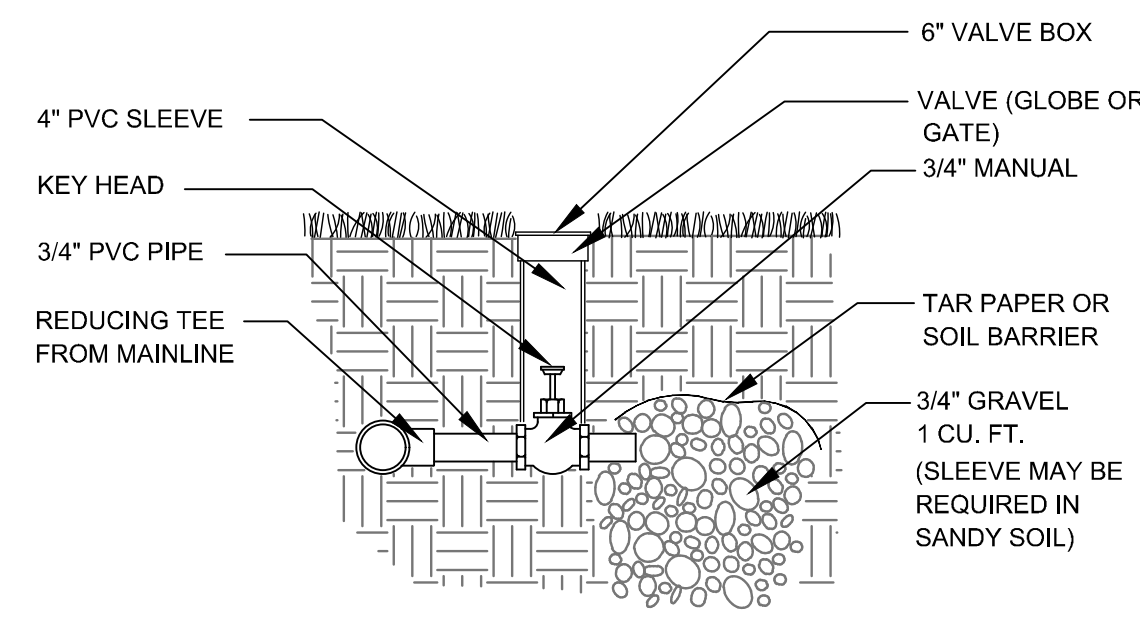
1 AUTOMATIC DRAIN VALVE  
NO SCALE



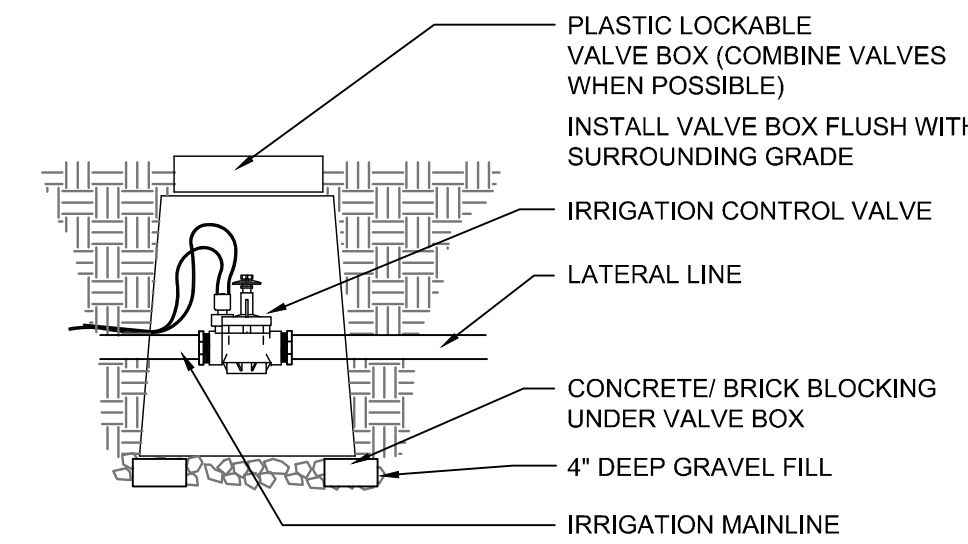
2 QUICK COUPLER  
NO SCALE



3 IRRIGATION CONTROLLER  
NO SCALE

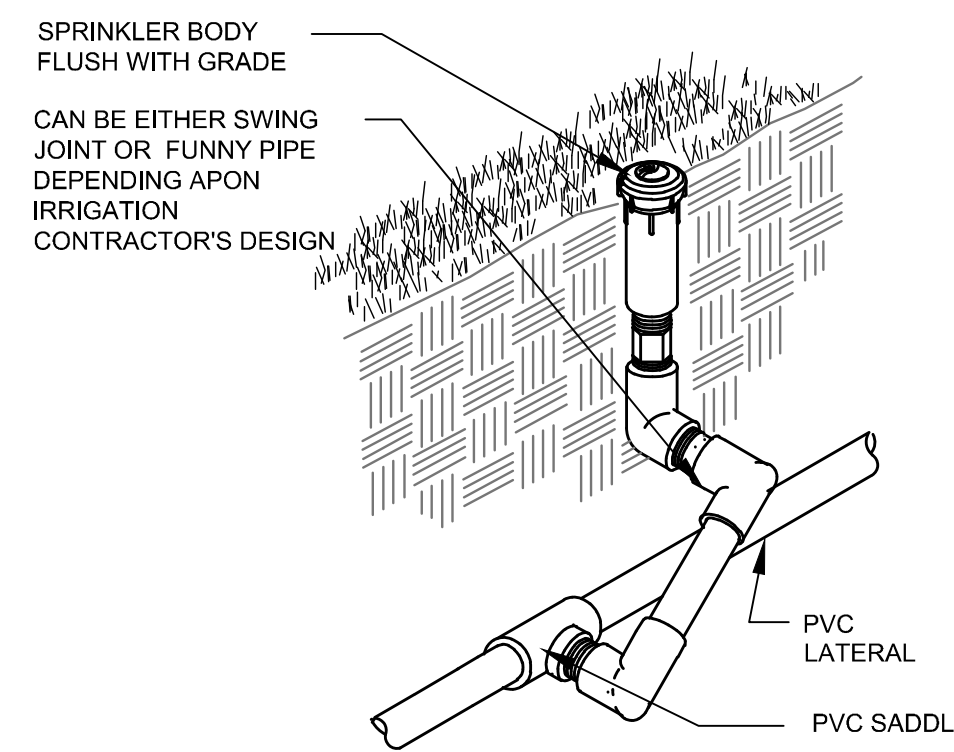


4 MANUAL VALVE  
NO SCALE

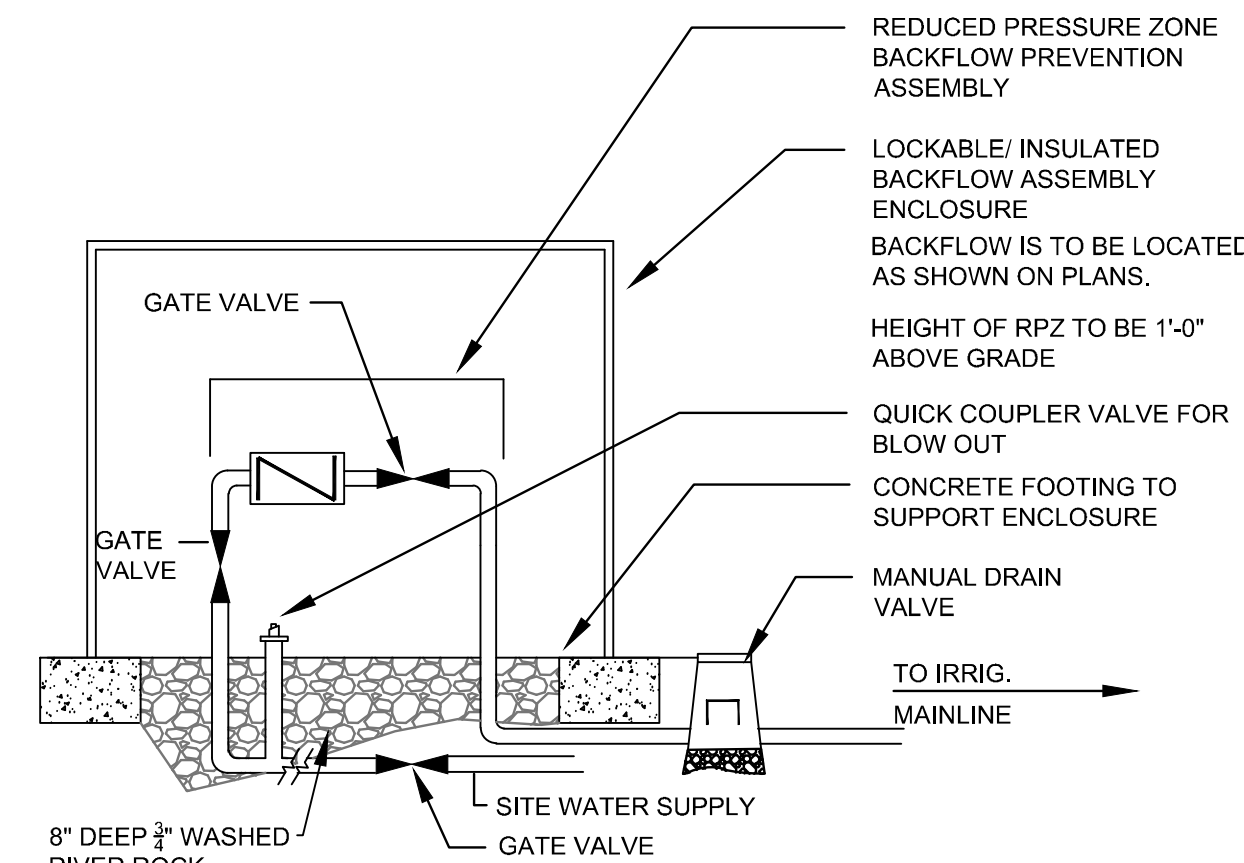


7 AUTOMATIC VALVE  
NO SCALE

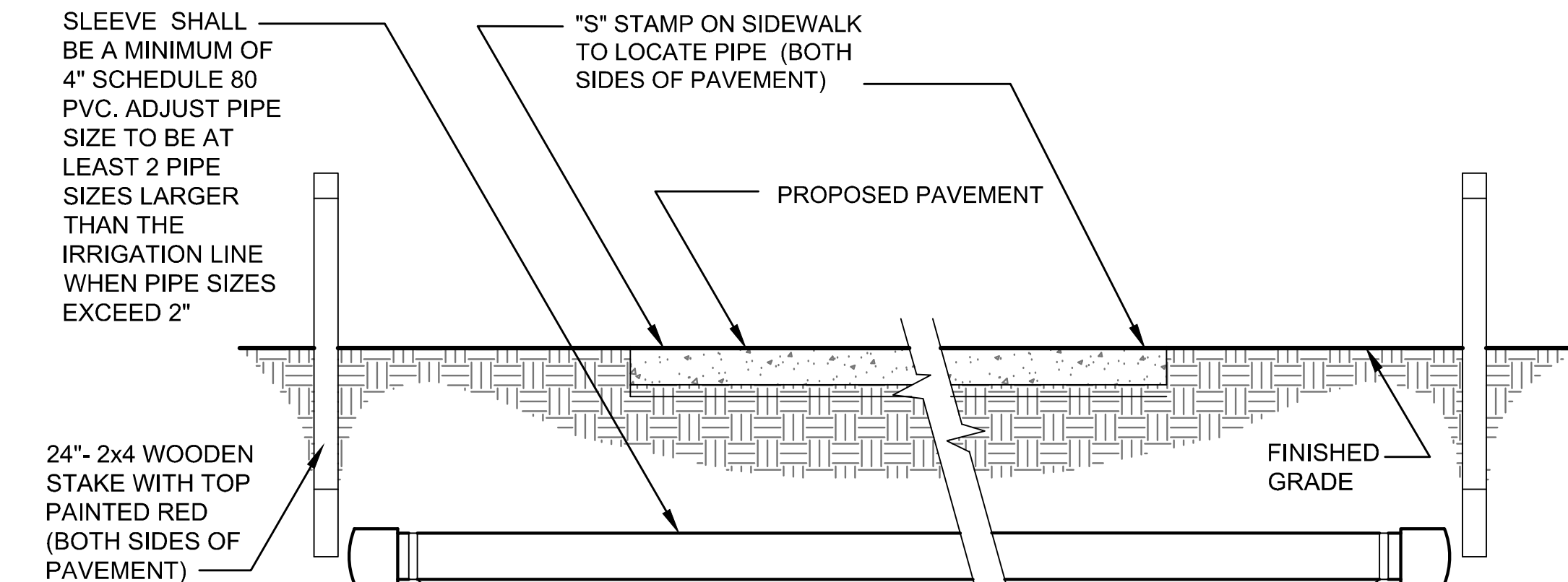
NOTE: PROVIDE 4\"/>



5 SPRAY HEAD INSTALLATION  
NO SCALE



6 RPZ INSTALLATION  
NO SCALE

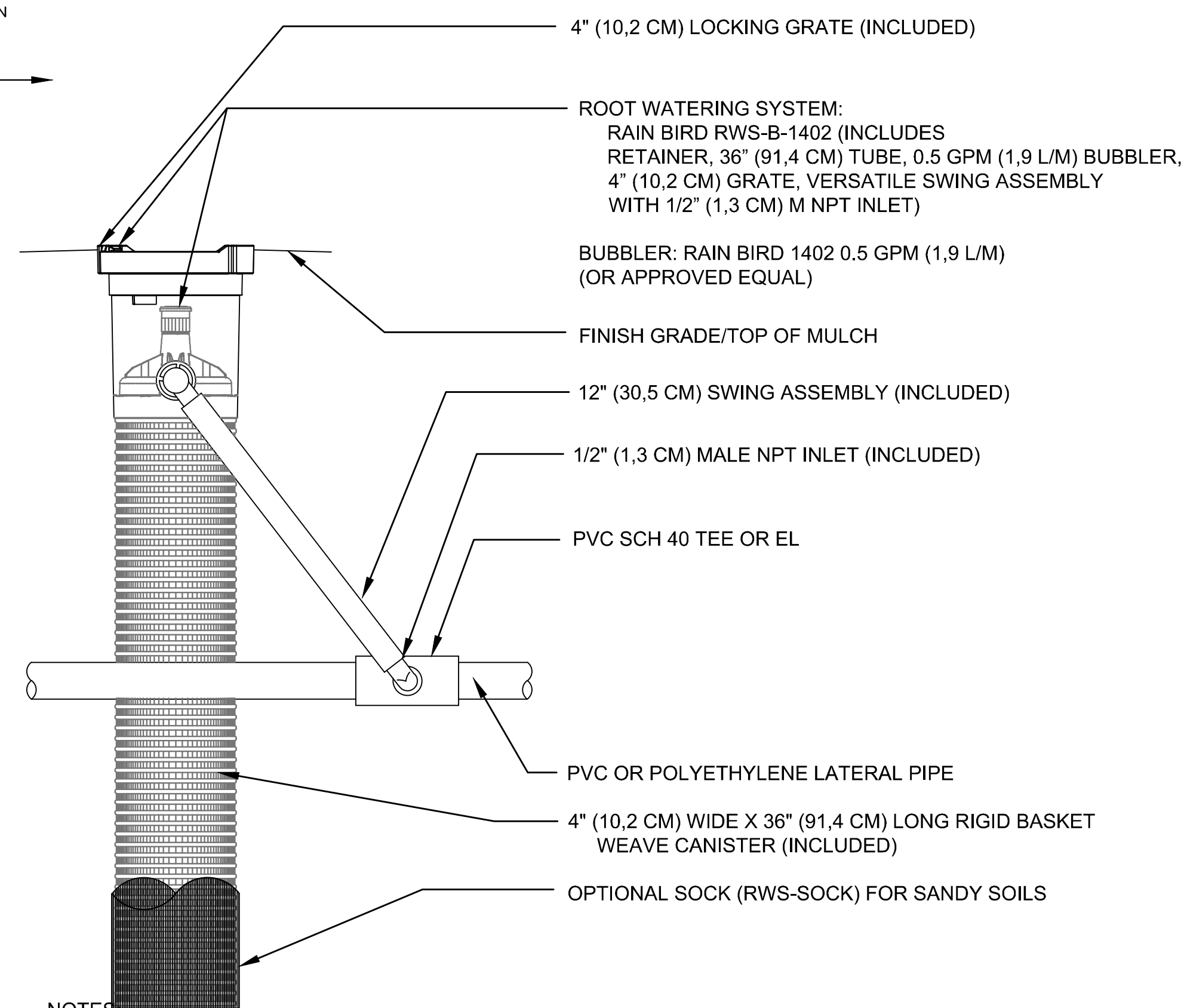


8 IRRIGATION SLEEVE  
NO SCALE

**IRRIGATION DETAILS**

WRAP METAL LOCATOR TAPE @ EACH END OF THE SLEEVE  
INSTALL PVC CAP @ EACH END OF THE SLEEVE

NOTES:  
COORDINATE SLEEVE LOCATIONS WITH THE IRRIGATION CONTRACTOR. VERIFY IRRIGATION LINE DEPTH AND ADJUST SLEEVE DEPTH TO MATCH.



9 ROOT BALL WATERER  
NO SCALE

NOTES:  
1. INSTALL PRODUCT SO THAT THE GRATE IS EVEN WITH FINISH GRADE OR TOP OF MULCH.  
2. PROVIDE OPTIONAL SAND SOCK (RWS-SOCK) IS 34\"/>

**GENERAL IRRIGATION NOTES**

- IRRIGATION SHALL BE PER THE CITY OF WICHITA STANDARD SPECIFICATION, PART 900, LANDSCAPE AND IRRIGATION. THE DESIRED AREAS OF IRRIGATION SYSTEM COVERAGE IS SCHEMATICALLY SHOWN ON THE DRAWINGS. THE CONTRACTOR IS TO COMPLETE THE SYSTEM DESIGN, SUBMIT IT AS SHOP DRAWINGS AND INSTALL EQUIPMENT NECESSARY TO PROVIDE A COMPLETE, FUNCTIONAL SYSTEM THAT IS IN COMPLIANCE WITH THE SPECIFICATIONS, APPLICABLE CODES, AND REGULATIONS. THE CONTRACTOR WILL VERIFY THE SITE'S STATIC PRESSURE AND VOLUME OF SITE WATER SUPPLY AND DESIGN ENTIRE IRRIGATION SYSTEM ACCORDINGLY.
- THE LOCATION OF THE IRRIGATION WATER METER, BACKFLOW AND ENCLOSURE, RAIN SWITCH, SLEEVES AND CONTROLLER ARE SHOWN ON THE PLANS.
- SHOP DRAWINGS SHALL BE SUBMITTED TO THE LANDSCAPE ARCHITECT PRIOR TO CONSTRUCTION FOR REVIEW. ILLUSTRATING THE TYPE AND LOCATION OF IRRIGATION HEADS, VALVES, PIPING, CONTROLLER, BLOW OUT VALVE, ISOLATION GLOBE VALVES, DRAIN VALVES AND ACCESSORIES. SHOW DESIGN PRESSURE, VALVE SIZES, GPM REQUIREMENTS, PIPE SIZES AND PRESSURE LOSS CALCULATIONS FROM THE SITE WATER SUPPLY TO THE FURTHEST HEAD OF THE LARGEST ZONE AND FROM THE SITE WATER SUPPLY TO THE FURTHEST HEAD FROM THE SUPPLY.
- ALL APPLICABLE PERMITS FOR IRRIGATION INSTALLATION WITHIN THE RIGHT-OF-WAY IS TO BE SECURED AND PAID FOR BY THE IRRIGATION CONTRACTOR.
- THE CONTRACTOR SHALL LOCATE ALL UTILITIES BEFORE COMMENCEMENT OF ANY WORK. IDENTIFY EXACT UTILITY LOCATIONS BY CONTACTING UTILITY OWNERS. CONTRACTOR IS RESPONSIBLE FOR ANY DAMAGE HE MAY CAUSE TO UTILITIES.
- PROVIDE PVC SLEEVES FOR IRRIGATION THRU WALL, PIPES AND WIRING THAT CROSSES UNDER WALKS, STREETS AND CONCRETE PADS. DO NOT COMBINE PIPES WITHIN SLEEVES.
- WHEN INSTALLING IRRIGATION PIPE ALONG CURBS OR IN ISLANDS, PLACE PIPE AS CLOSE TO CURB AS POSSIBLE TO ALLOW FOR PLANTING TREES AND SHRUBS.
- MANUAL DRAIN VALVES ARE TO BE LOCATED AT THE LOW POINT(S) ON THE IRRIGATION MAIN LINE. ENSURE LINE DRAINS TO VALVE BY PROVIDING A MINIMUM OF 0.5% SLOPE TOWARDS VALVE. PLACE MANUAL VALVES IN LATCHABLE VALVE BOX FOR EASY ACCESS. PLACE ONE CUBIC FOOT OF GRAVEL BELOW VALVE. VALVES SHALL BE LOCATED AT LINE DEPTH AT THE LOW SPOT IN THE SYSTEM.
- THE SYSTEM IS TO CONSIST OF SEPARATE SHRUB / GROUNDCOVER DRIP ZONES AND TURF SPRAY HEAD ZONES EACH WITH SEPARATE VALVES AND STATIONS ON THE CONTROLLER. IF DIFFERENT TURF IRRIGATION SPRINKLER TYPES ARE USED, EACH TYPE IS TO BE GROUPED TOGETHER ON SEPARATED ZONES. THE CONTRACTOR SHOULD BE FAMILIAR WITH WATER REQUIREMENTS OF ALL PLANT MATERIALS AND DESIGN SYSTEM ACCORDINGLY. GROUP LIKE PLANTS ON SAME ZONES WITH SIMILAR WATER REQUIREMENTS. COORDINATE RUNNING TIMES OF EACH ZONE WITH LANDSCAPE ARCHITECT.
- IRRIGATION CONTROL EQUIPMENT INCLUDING RAIN SENSOR AND CONTROLLER, AS WELL AS IRRIGATION ROTORS SHALL BE MANUFACTURED BY SINGLE MANUFACTURER. IRRIGATION VALVES, QUICK COUPLERS, AND SPAY HEADS SHALL BE BY SINGLE MANUFACTURER.
- ADJUST ALL IRRIGATION EQUIPMENT SO SIDEWALKS, PAVING AND BUILDING REMAIN DRY OF DIRECT SPRAY OR EXCESS WATER RUN-OFF. SEE CITY STANDARD SPECIFICATIONS FOR SPACING REQUIREMENTS.
- ALL IRRIGATION MAIN AND LATERAL LINES SHALL BE PROVIDED AND INSTALLED PER CITY STANDARD SPECIFICATIONS. THE CONTRACTOR SHALL EVALUATE THE IRRIGATED AREAS AND PROVIDE PIPE SIZING THAT MEETS THE HYDRAULIC REQUIREMENTS OF THE SYSTEM. VELOCITIES ON THE PIPE SHALL NOT EXCEED 5 FEET PER SECOND.
- ALL IRRIGATION SLEEVES SHALL BE SCHEDULE 40 PVC PIPE PER ASTM D1785.
- MAINLINE OR TURF BOXES SHALL BE SHALL BE RAINBIRD PVB PROFESSIONAL IRRIGATION VALVE BOXES , AS MANUFACTURED BY RAINBIRD, 6991 EAST SOUTHPOINT ROAD TUCSON, AZ 85756, WWW.RAINBIRD.COM, OR APPROVED EQUAL. VALVE BOXES SHALL BE SIZED BASED ON RECOMMENDED VALVE INSTALLATION. PROVIDE VALVE BOX EXTENSIONS AS REQUIRED TO ALLOW THE VALVE TO BE INSTALLED PER RECOMMENDATION AND ALLOW THE BOX LID TO BE FLUSH WITH FINISHED GRADE. IRRIGATION BOXES SHALL HAVE GREEN LIDS. PROVIDE A 6\"/>
- ALL IRRIGATION CONNECTIONS SHALL BE PER MANUFACTURER, WITH PRODUCTS AS RECOMMENDED BY MANUFACTURER UNLESS OTHERWISE NOTED ON PLANS.
- WIRE SPLICES SHALL BE MADE WITH 3M-DIRECT BURY WEATHER PROOF SPLICE KITS, OR APPROVED EQUAL.
- ALL GATE VALVES ON MAIN LINE SHALL BE BRONZE, CROSS -HANDLE GATE VALVE THAT MEETS THE REQUIREMENTS OF THE CITY STANDARD SPECIFICATION.
- CONTRACTOR SHALL PROVIDE AS BUILT PLANS AND IRRIGATION SCHEDULE TO OWNER UPON COMPLETION OF IRRIGATION INSTALLATION. THE CONTRACTOR SHALL PROVIDE A WIRING DIAGRAM FOR THE CONTROLLER AS PART OF THE AS-BUILT DRAWINGS.
- THE CONTRACTOR SHALL PROVIDE A MINIMUM OF (2) OF EACH OF THE FOLLOWING: IRRIGATION CURB VALVE KEYS, CONTROLLER ENCLOSURE KEYS, QUICK COUPLER VALVE KEYS, IRRIGATION HEAD KEYS, ETC.
- CONTRACTOR SHALL PERFORM A LEAK TEST AFTER INSTALLATION, BUT BEFORE BURYING NETWORK PIPING BY CHARGING SYSTEM TO OPERATING PRESSURE AND EXAMINING FOR LEAKS. LEAKS MUST BE REPAIRED AND ADDITIONAL TESTS BE PERFORMED UNTIL NO LEAKS ARE PRESENT.
- THE CONTRACTOR MUST TEST AND SCHEDULE CONTROLLER AFTER INSTALLATION AND ENSURE PROPER OPERATION PRIOR TO HANDING THE SYSTEM OVER TO OWNER.
- SEE SHEET SA-05 FOR PLANTER IRRIGATION INSTALLATION.

