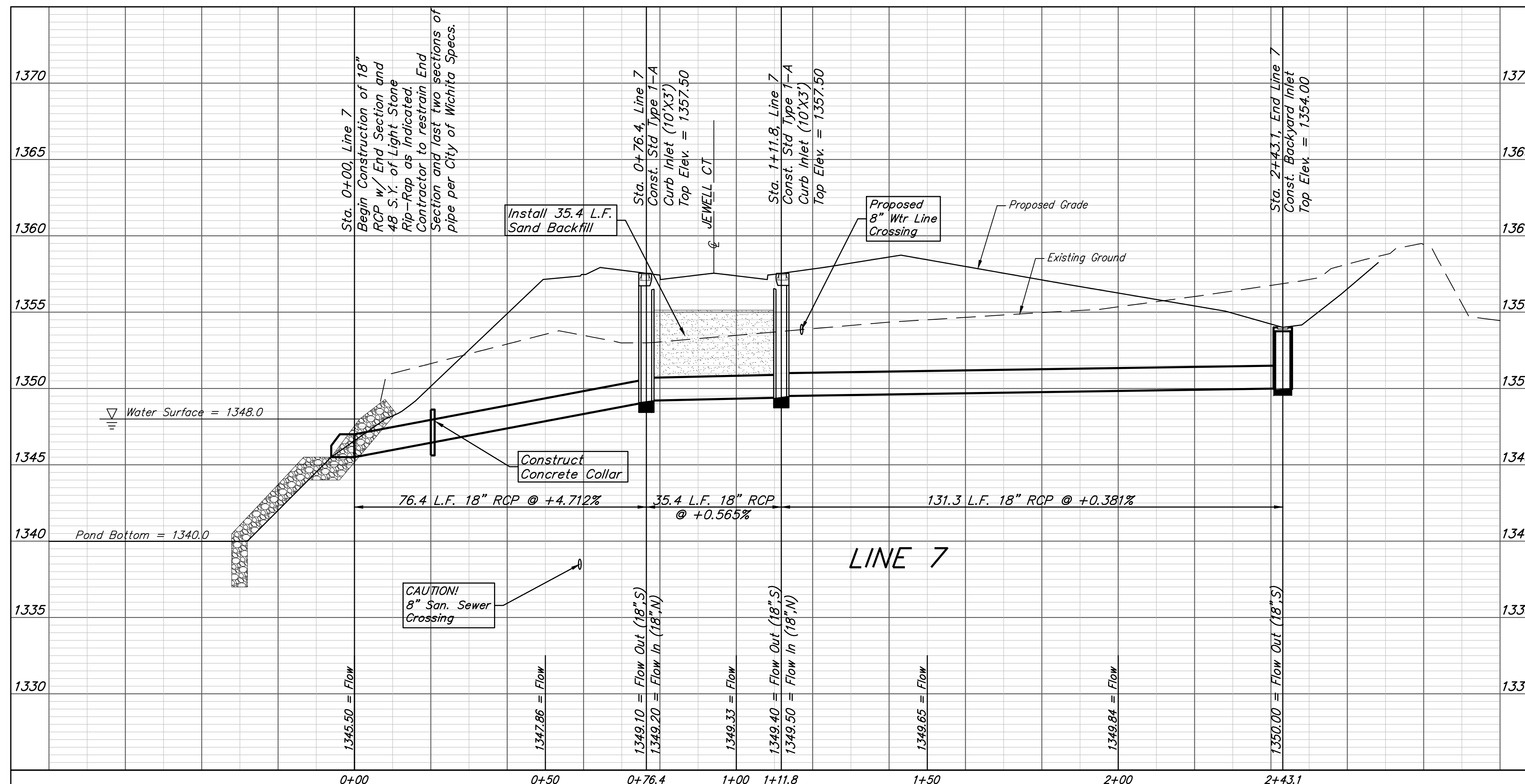
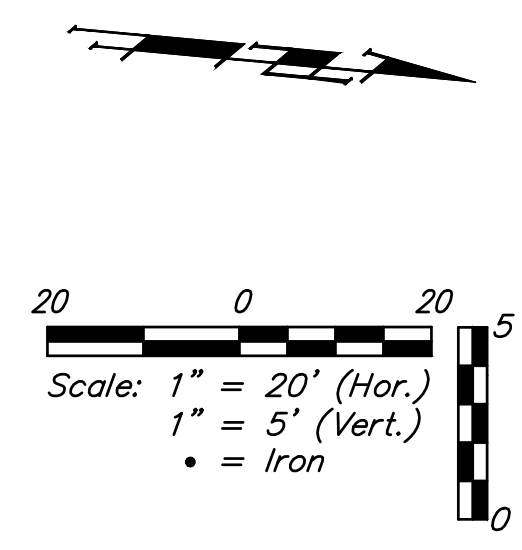
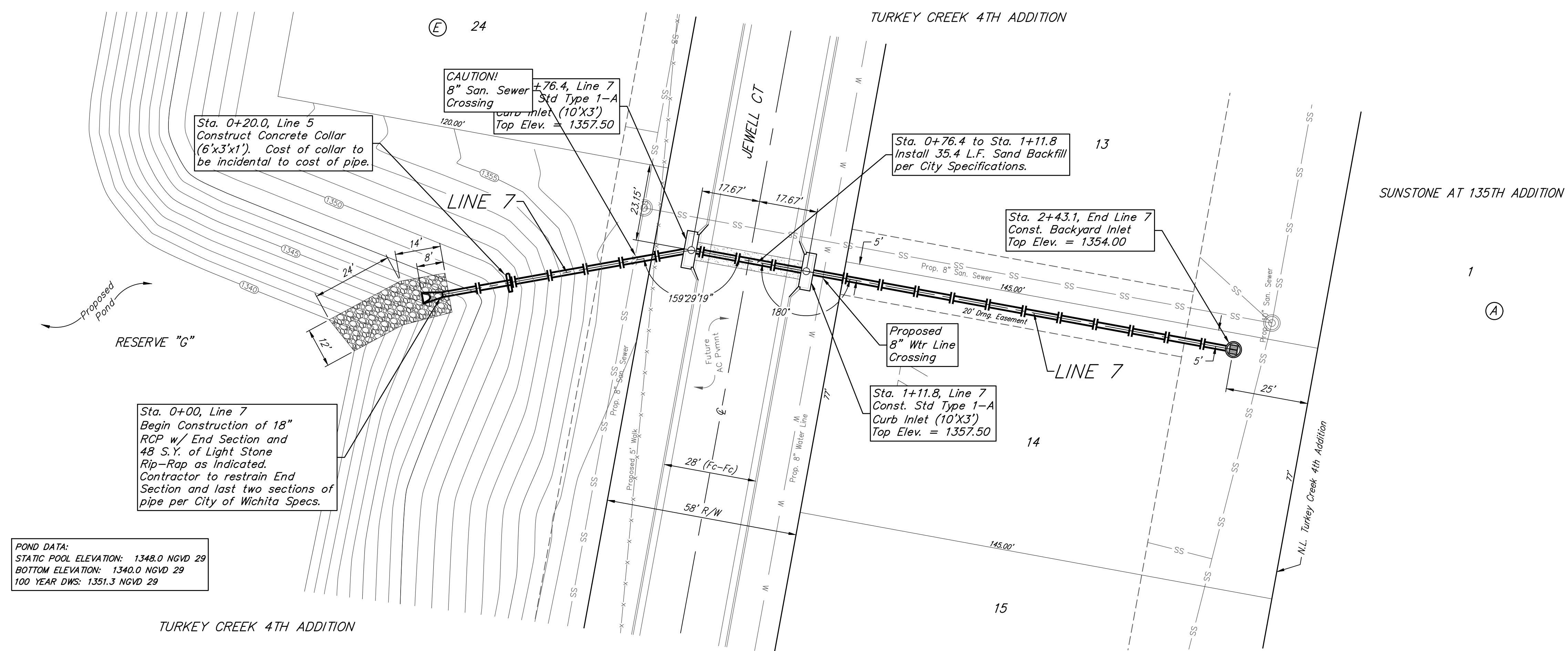


**BENCHMARKS:**  
 135th St. W. & Pawnee  
 City of Wichita Benchmark Disc,  
 Northeast Corner of Intersection  
 On SW Corner of Concrete Base  
 of High Line Pole.  
 Elev. = 1359.65 NGVD29

City of Wichita Benchmark Disc,  
 0.4 Mi. South of Kellogg On  
 135th St. W., West Side of  
 Concrete Base for High Line  
 Pole, West of K.G.&E.  
 Substation, 135± South of  
 Railroad Tracks On East Side of  
 135th St. W.  
 Elev. = 1367.77 NGVD29



		Turkey Creek 4th Addition	
		<b>LINE 7</b>	
		Storm Water Drain #467	
<small>Baughman Company, P.A. 315 Ellis St. Wichita, KS 67211 P 316-262-7271 F 316-262-0149        ENGINEERING   SURVEYING   PLANNING   LANDSCAPE ARCHITECTURE</small>			
PROJECT NUMBER 468-2020-085444	DESIGN DMV	DRAWN JAK	
REVISIONS:	APPROVED	DATE 9/20/2020	
	SCALE Noted	SHEET	
			<b>31 OF 65</b>

E:\Projects\Turkey Creek 4th\_Engineering\Phase 1\SWD\_2020-085444\SWD PLANS.dwg