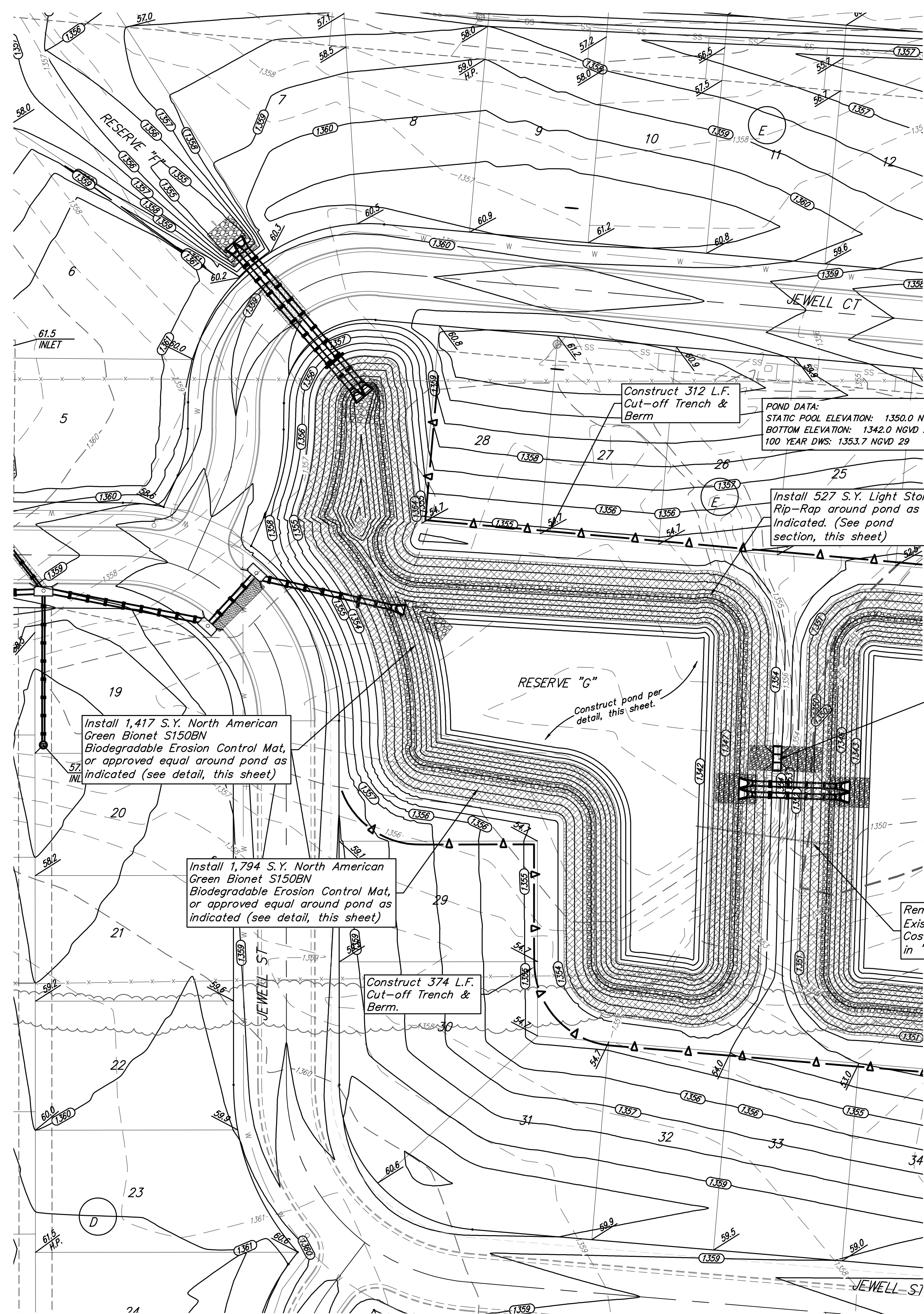


BENCHMARKS:
 135th St. W. & Pawnee
 City of Wichita Benchmark Disc,
 Northeast Corner of Intersection
 On SW Corner of Concrete Base
 of High Line Pole.
 Elev. = 1359.65 NGVD29

City of Wichita Benchmark Disc,
 0.4 Mi. South of Kellogg On
 135th St. W., West Side of
 Concrete Base for High Line
 Pole, West of K.G.&E.
 Substation, 135± South of
 Railroad Tracks On East Side of
 135th St. W.
 Elev. = 1367.77 NGVD29



Construct 312 L.F. Cut-off Trench & Berm

POND DATA:
 STATIC POOL ELEVATION: 1350.0 NGVD 29
 BOTTOM ELEVATION: 1342.0 NGVD 29
 100 YEAR DWS: 1353.7 NGVD 29

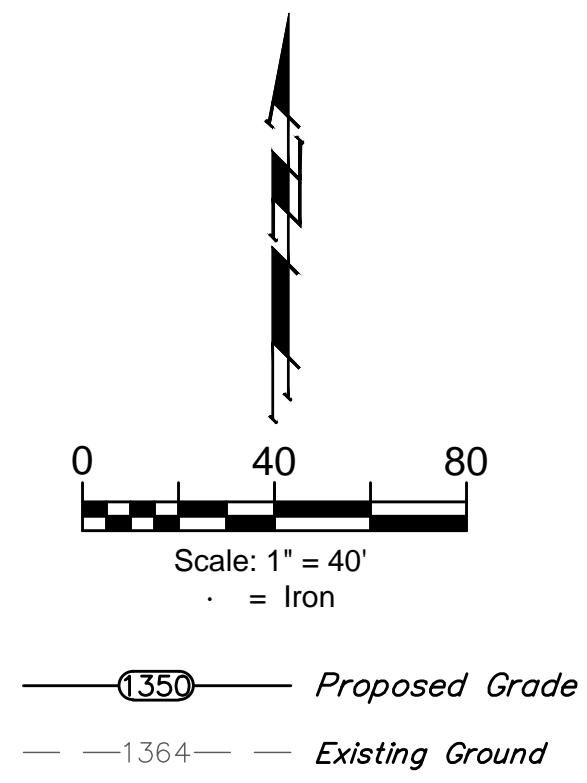
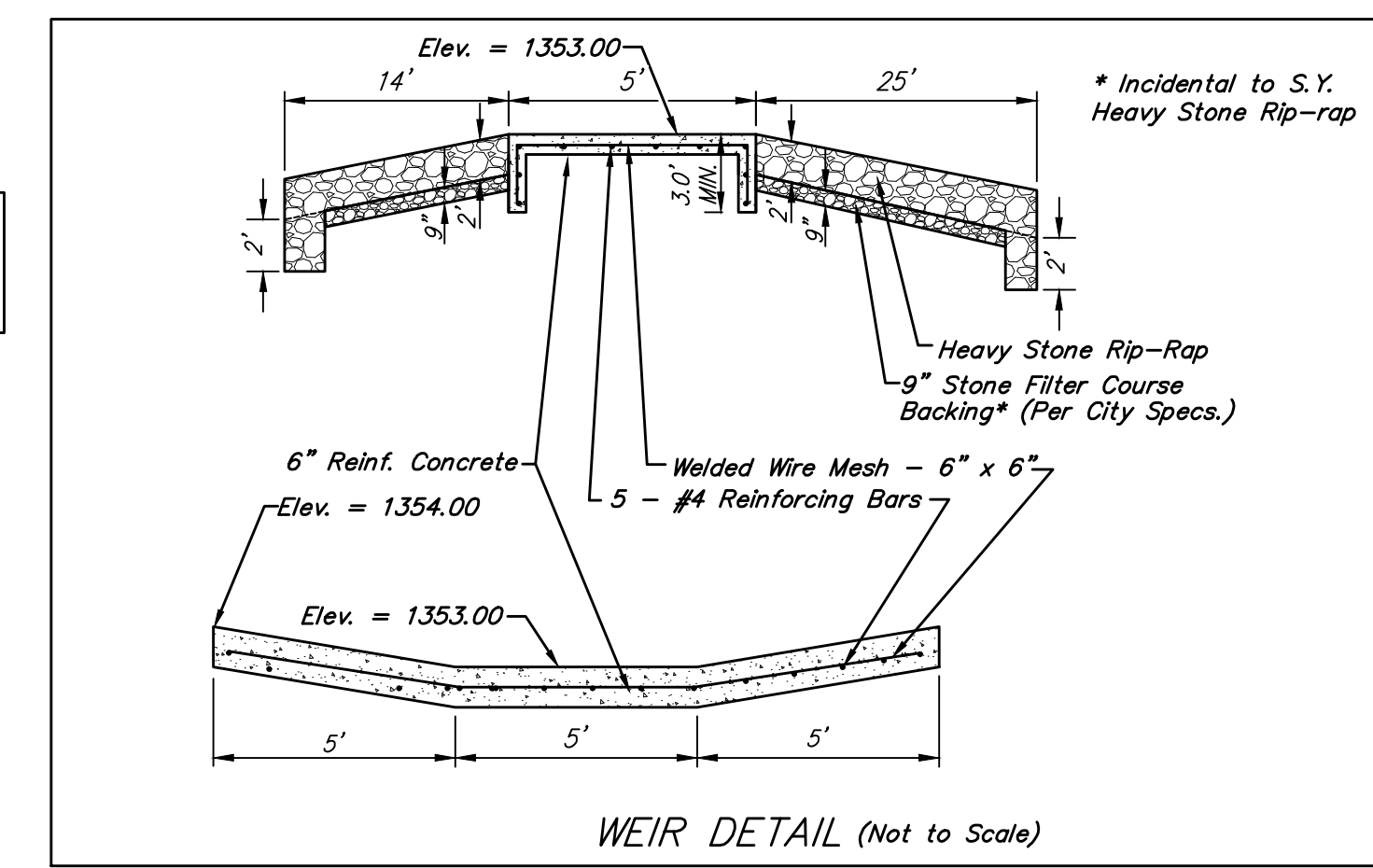
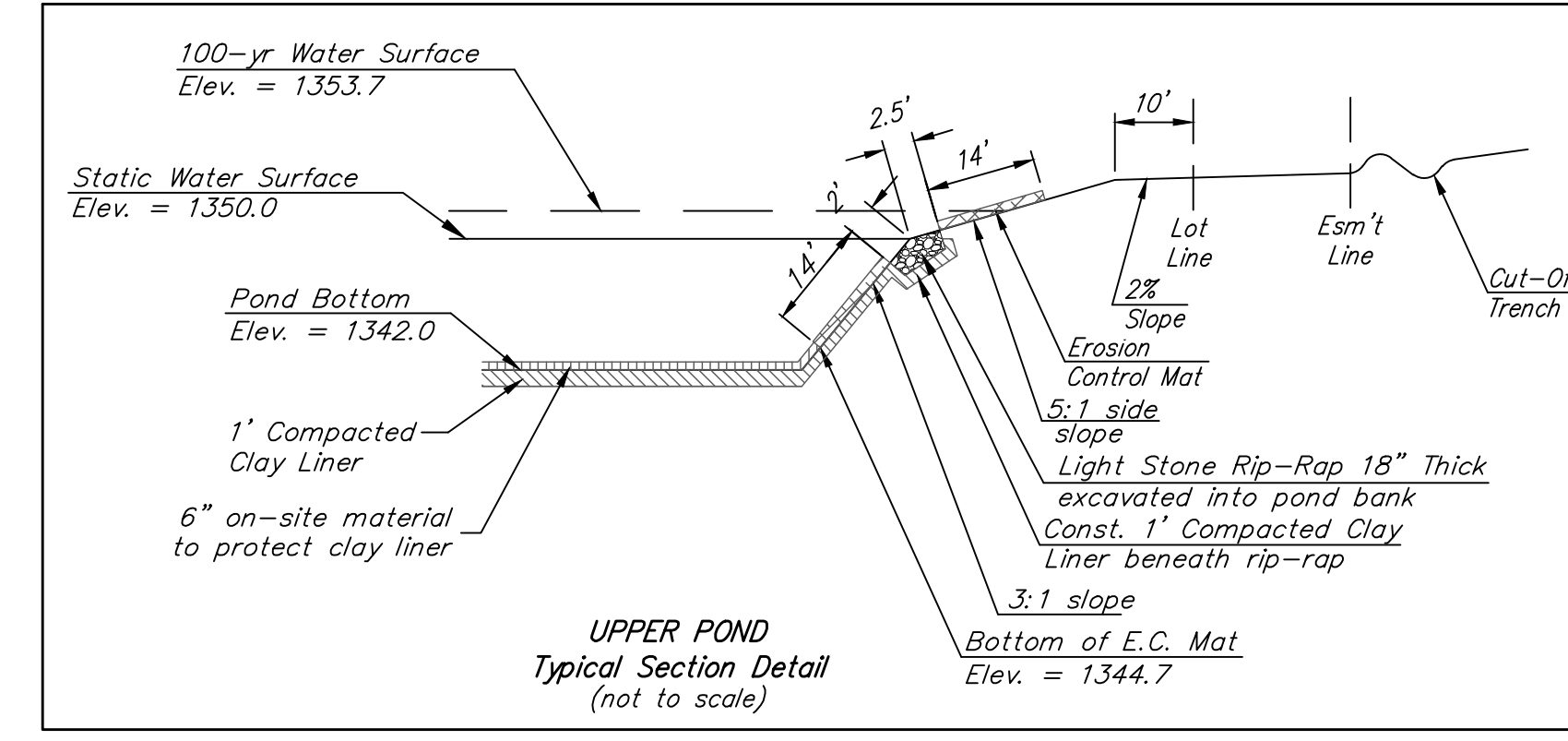
Install 527 S.Y. Light Stone Rip-Rap around pond as indicated. (See pond section, this sheet)

Install 1,417 S.Y. North American Green Bionet S150BN Biodegradable Erosion Control Mat, or approved equal around pond as indicated (see detail, this sheet)

Install 1,794 S.Y. North American Green Bionet S150BN Biodegradable Erosion Control Mat, or approved equal around pond as indicated (see detail, this sheet)

Construct 374 L.F. Cut-off Trench & Berm.

Remove 87 L.F. Existing 6" CMP. Cost to be included in "Site Clearing"



—(1350)— Proposed Grade
 - - - - - 1364 - - - Existing Ground

	Turkey Creek 4th Addition	
	POND PLAN	
Upper Pond		
Baughman Company, P.A. 315 Ellis St. Wichita, KS 67211 P 3162827271 F 3162826149		
ENGINEERING SURVEYING PLANNING LANDSCAPE ARCHITECTURE		
PROJECT NUMBER 468-2020-085444	DESIGN DMV	DRAWN JAK
REVISIONS:	APPROVED	DATE 9/20/2020
	SCALE Noted	SHEET 48 OF 65