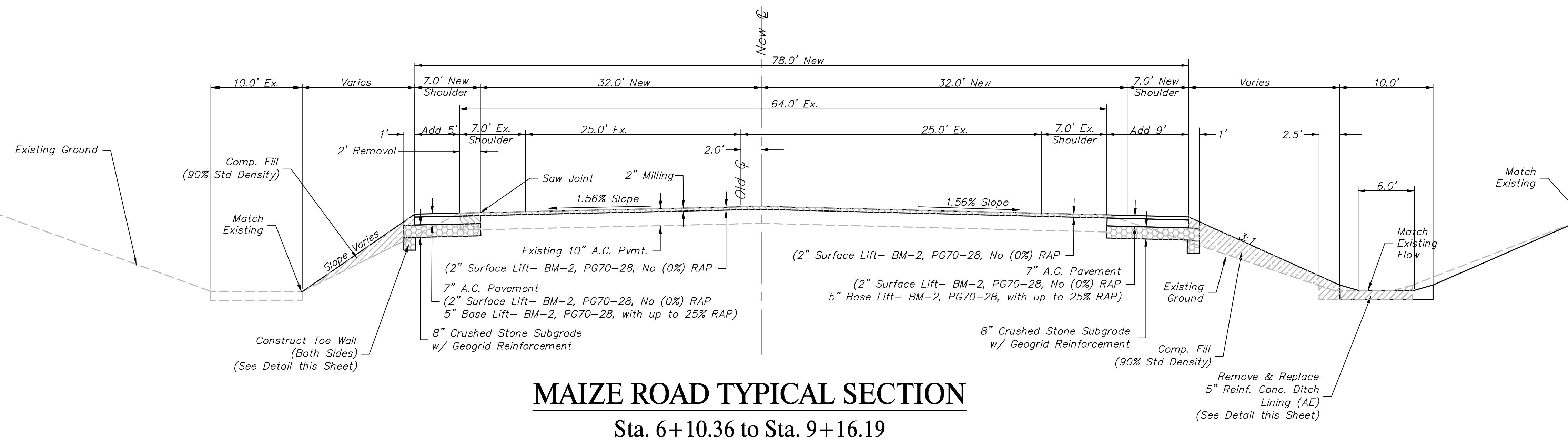
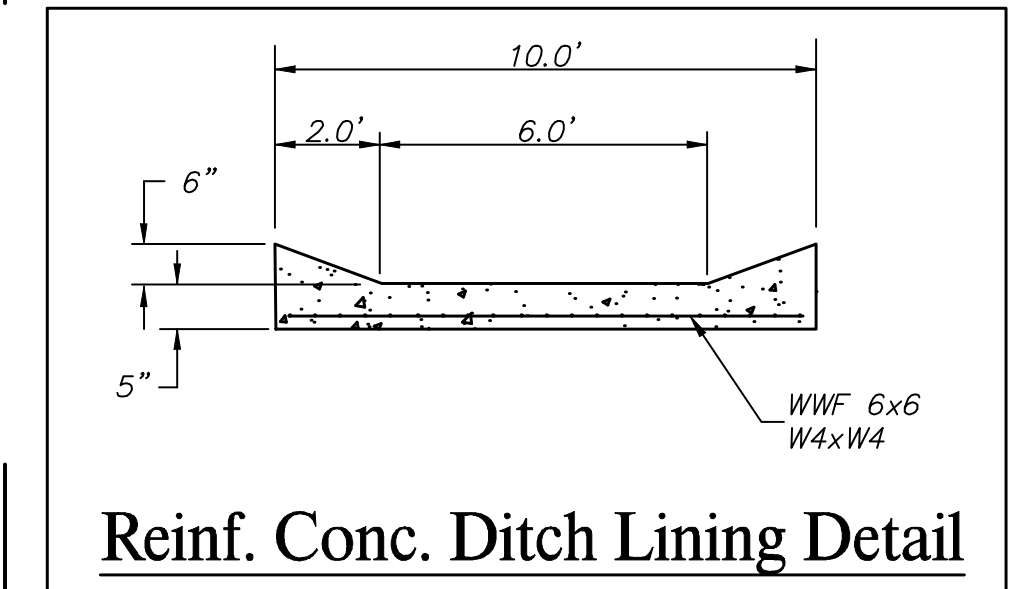


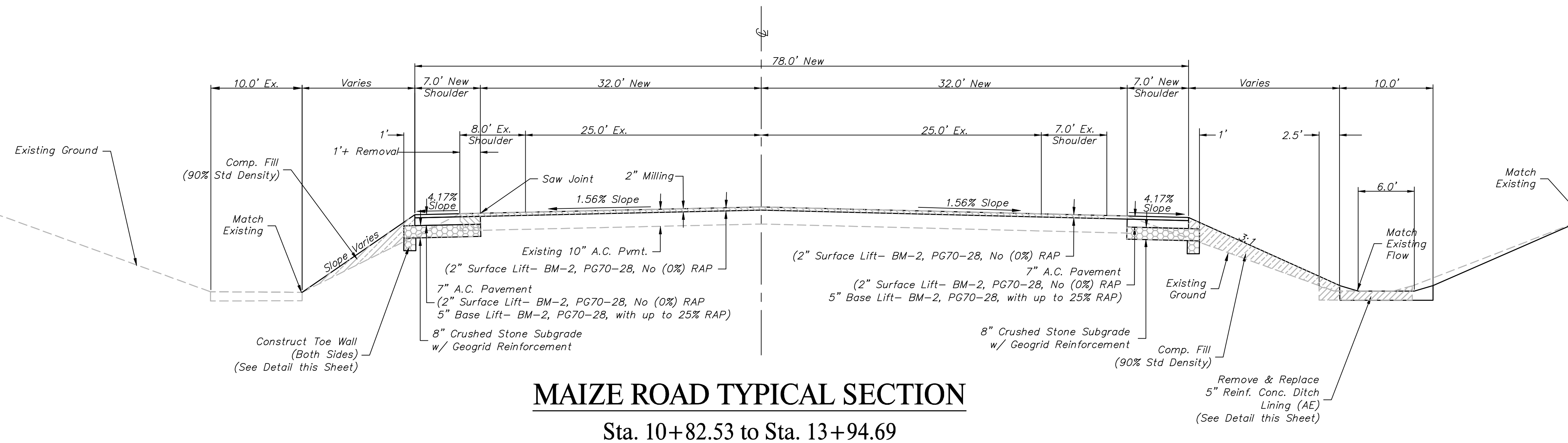
PRWA REGION NO.	STATE	PROJECT NO.	FISCAL YEAR	SHEET NO.	TOTAL SHEETS
7	KANSAS	87N-0348-01	2007	5	135



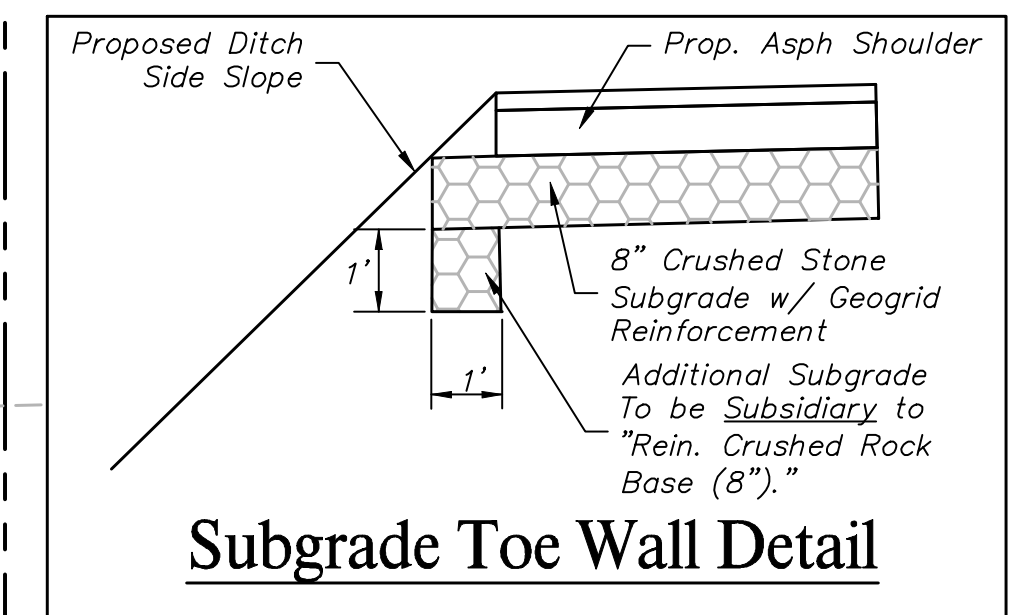
MAIZE ROAD TYPICAL SECTION
Sta. 6+10.36 to Sta. 9+16.19



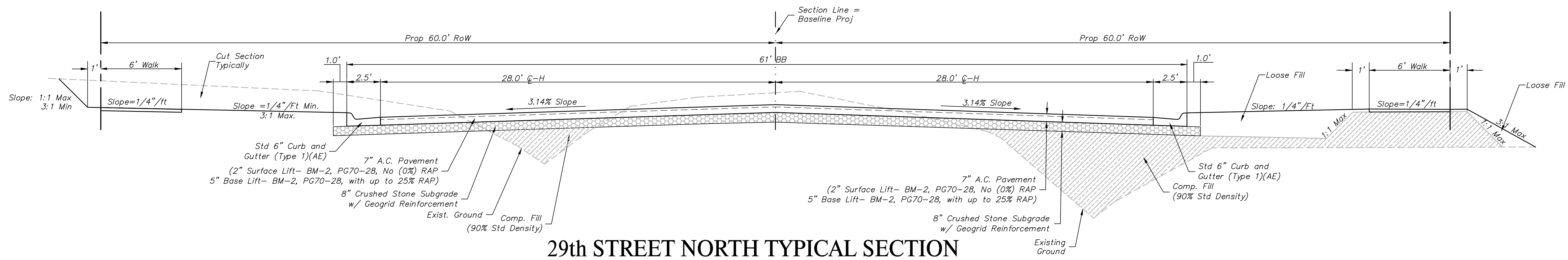
Reinf. Conc. Ditch Lining Detail



MAIZE ROAD TYPICAL SECTION
Sta. 10+82.53 to Sta. 13+94.69



Subgrade Toe Wall Detail



29th STREET NORTH TYPICAL SECTION

Sta. 13+86.00 to Sta. 29+90.12
Sta. 31+50.00 to Sta. 32+75.00
Sta. 33+75.00 to Sta. 44+00.00
Sta. 45+00.00 to Sta. 59+54.45

Drawing File: F:\eng\29th (Maize-119th)\Detail\Types02
Design: AZIERE Project No. 0403-8828 CAPITAL IMPROVEMENT PROJECT
Drawn: SS
Approved: JFB
Scale: NOTED
29th Street Paving Plan
29th Street Typical Sections
29th Street Paving Project - Maize Road to 119th Street