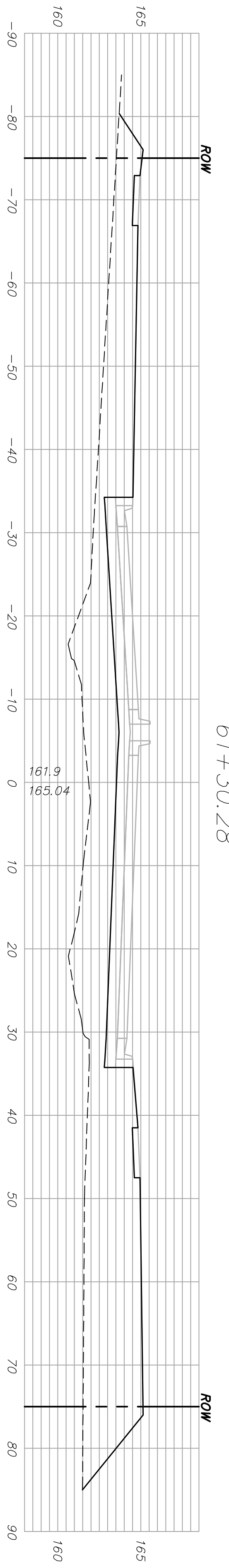
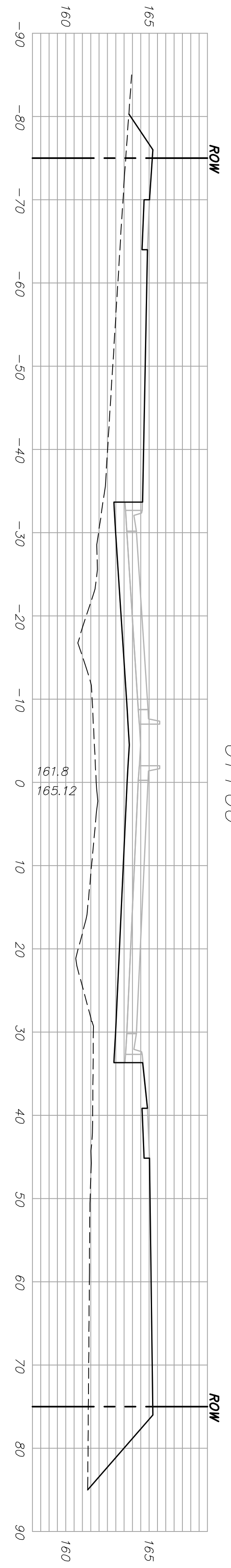


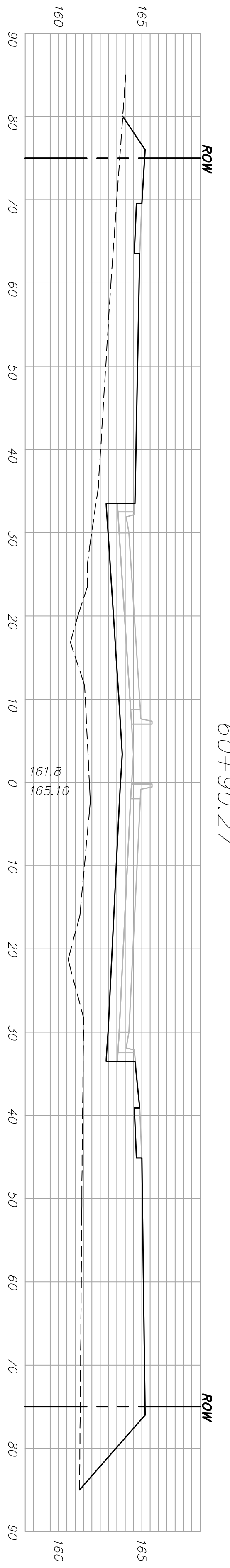
61+50



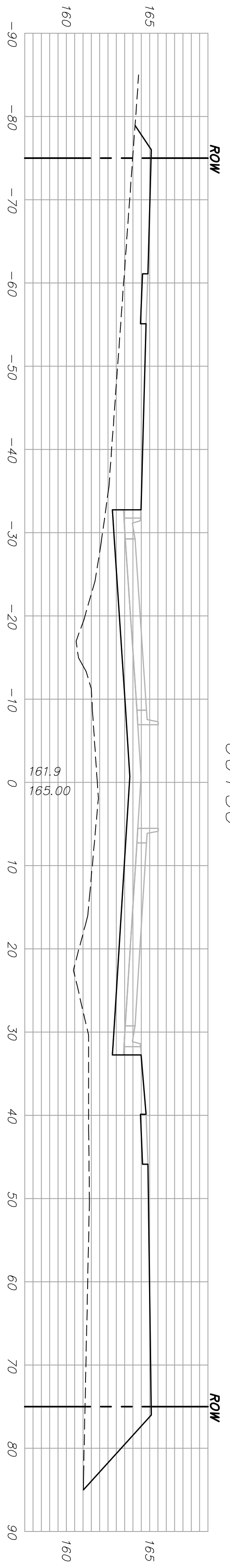
61+30.28



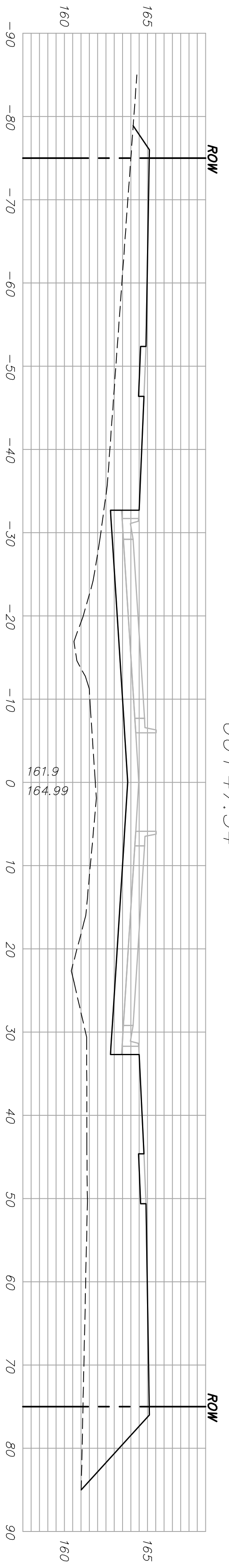
61+00



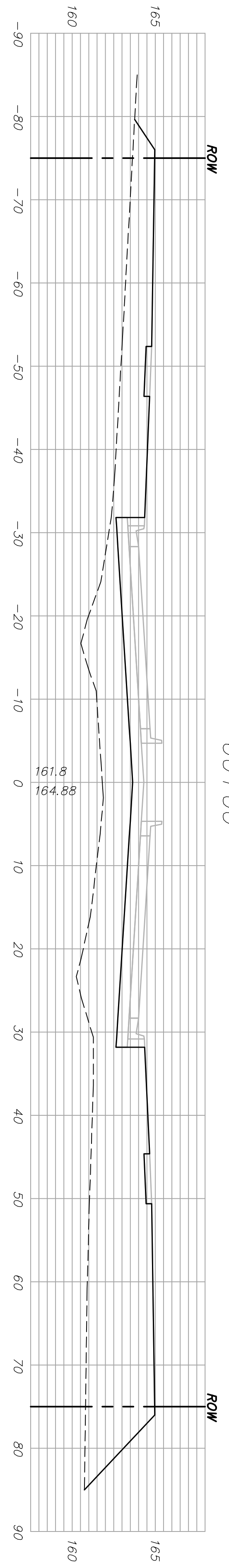
60+90.27



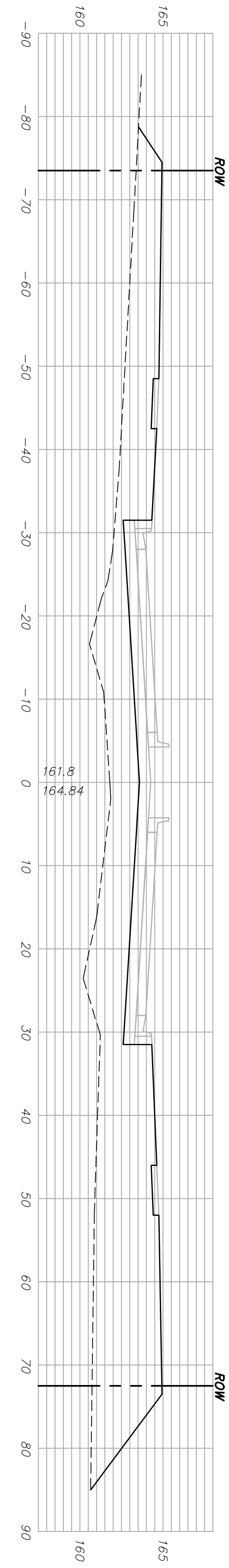
60+50



60+47.34



60+00



59+83.28

Drawing File: F:\eng\29th\29th\19th\K053 CAPITAL IMPROVEMENT PROJECT
 Project No. 0403828
 Designer: AZIERE
 Approver: JFB
 Scale: NOTED

Baughman Company, P.A.
 315 Ellis St. Wichita, KS 67211 P 316.262.7271 F 316.262.0149
 ENGINEERING | SURVEYING | PLANNING | LANDSCAPE ARCHITECTURE

29th Street Paving Project - Main Road to 119th Street
 Paving Cross Sections

SCALE: 1" = 10'
 0 5 10

7	KANSAS	87N-0348-01	2007	128	135
REGION NO.	STATE	PROJECT NO.	YEAR	SHEET NO.	TOTAL SHEETS