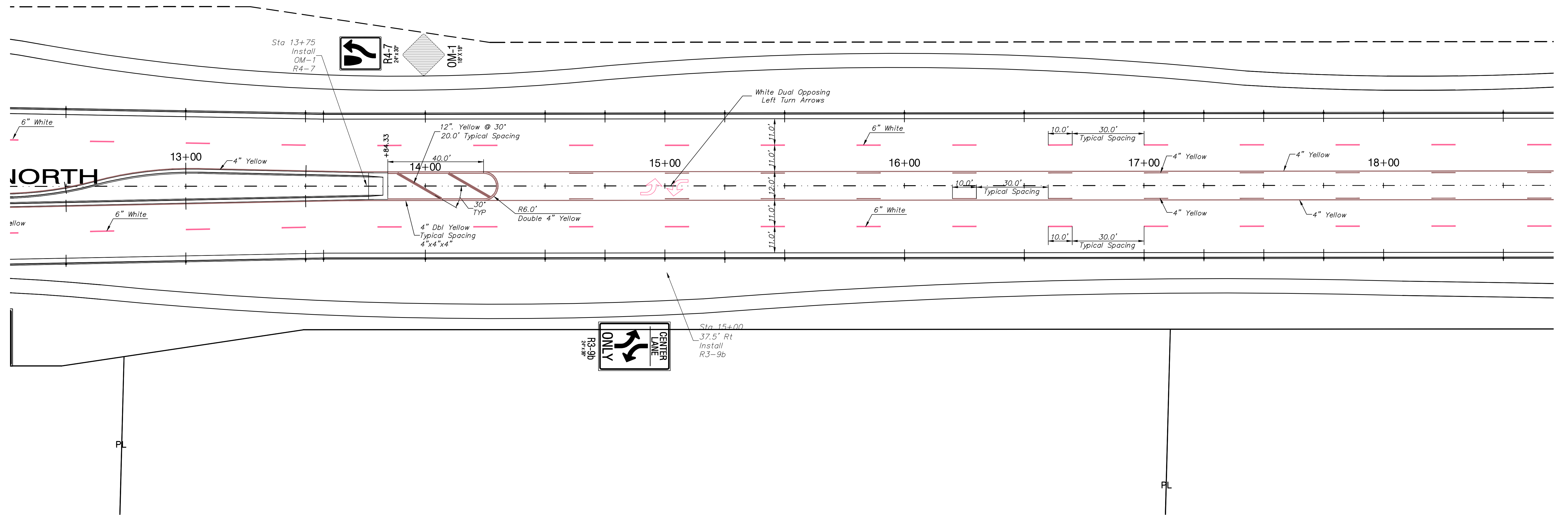
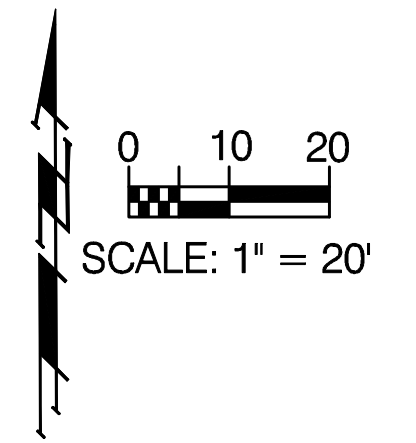


| FHWA REGION NO. | STATE | PROJECT NO. | FISCAL YEAR | SHEET NO. | TOTAL SHEETS |
|-----------------|--------|-------------|-------------|-----------|--------------|
| 7 | KANSAS | 87N-0348-01 | 2007 | 60 | 135 |



Drawing File: F:\eng\29th (Maine-119th)\(Pav03)

Design: AZIERE
 Drawn: AZIERE
 Approved: JFB
 Scale: NOTED

Project No. 0403-E828 CAPITAL IMPROVEMENT PROJECT
29th Street Marking and Signing Plan
 Sta. 13+00 to Sta. 18+50
 29th Street Paving Project - Maine Road to 119th Street

Baughman Company, P.A.
 315 Ella St. Wichita, KS 67211 P 316-262-7271 F 316-262-0149
 Baughman ENGINEERING | SURVEYING | PLANNING | LANDSCAPE ARCHITECTURE

March, 2007

SHEET
60
 OF
135