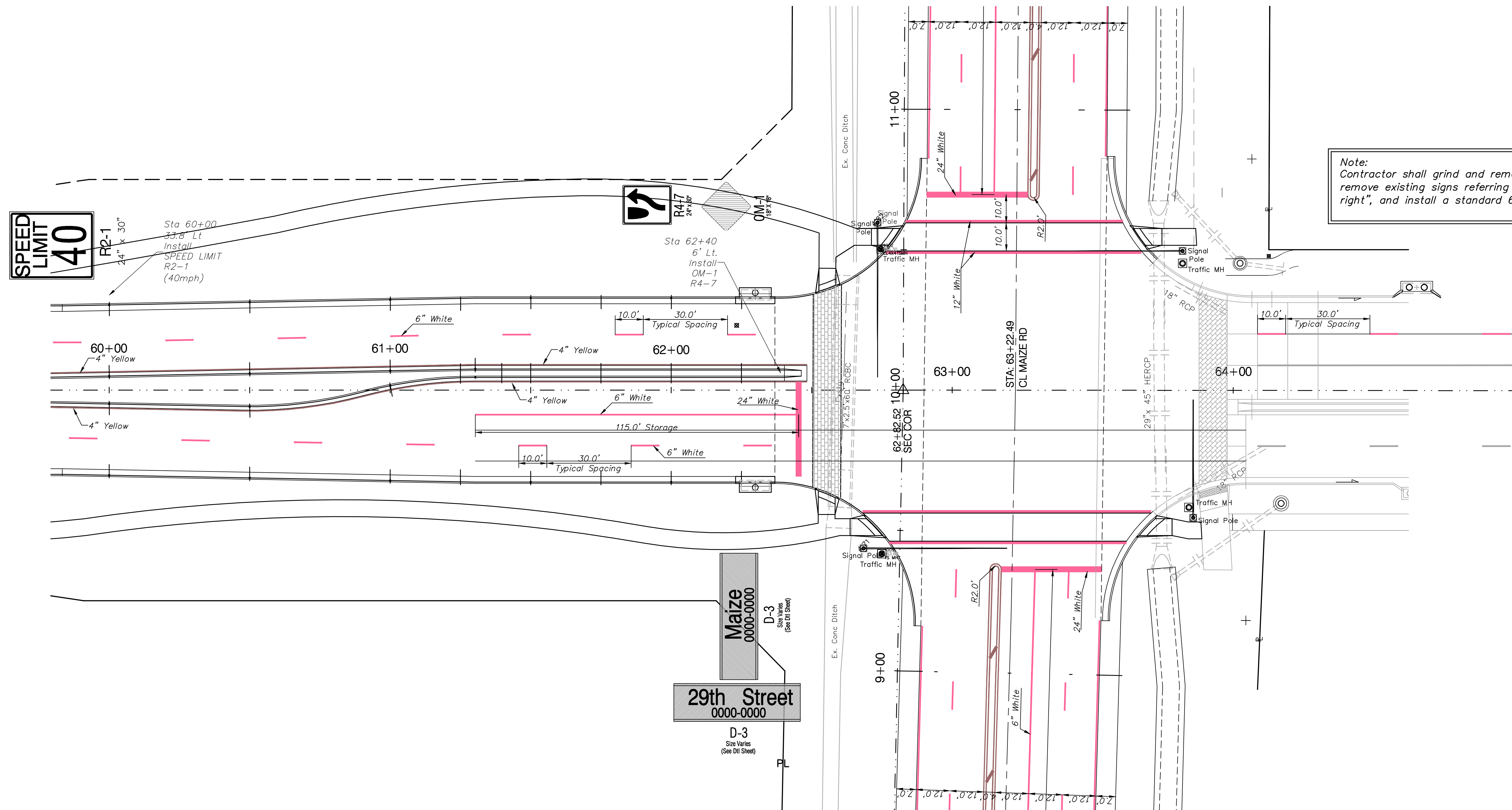
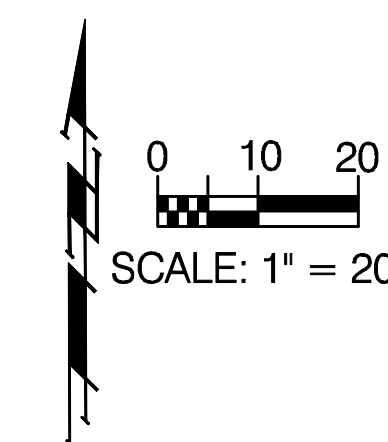


BENCHMARKS

BM#1 - City of Wichita Bench Mark Disc, Located at the Northwest Corner of Maize Road & 29th Street Intersection, approx 63.4' NW of the Section Corner. Elev. = 1349.32 MSL (161.92 City Datum)

FRTWA REGION NO.	STATE	PROJECT NO.	FISCAL YEAR	SHEET NO.	TOTAL SHEETS
7	KANSAS	87N-0348-01	2007	68	135



Drawing File: F:\eng\29th (Maize-119th)\(Pav11)

Design: AZIERE
 Drawn: AZIERE
 Approved: JFB
 Scale: NOTED

Project No. 0403-E828 CAPITAL IMPROVEMENT PROJECT
 29th Street Marking and Signing Plan
 Sta. 60+00 to Sta.64+00
 29th Street Paving Project - Maize Road to 119th Street

Baughman Company, P.A.
 315 Ella St. Wichita, KS 67211 P 316-262-7271 F 316-262-0149
 Baughman ENGINEERING | SURVEYING | PLANNING | LANDSCAPE ARCHITECTURE

March, 2007

SHEET
 68
 OF
 135