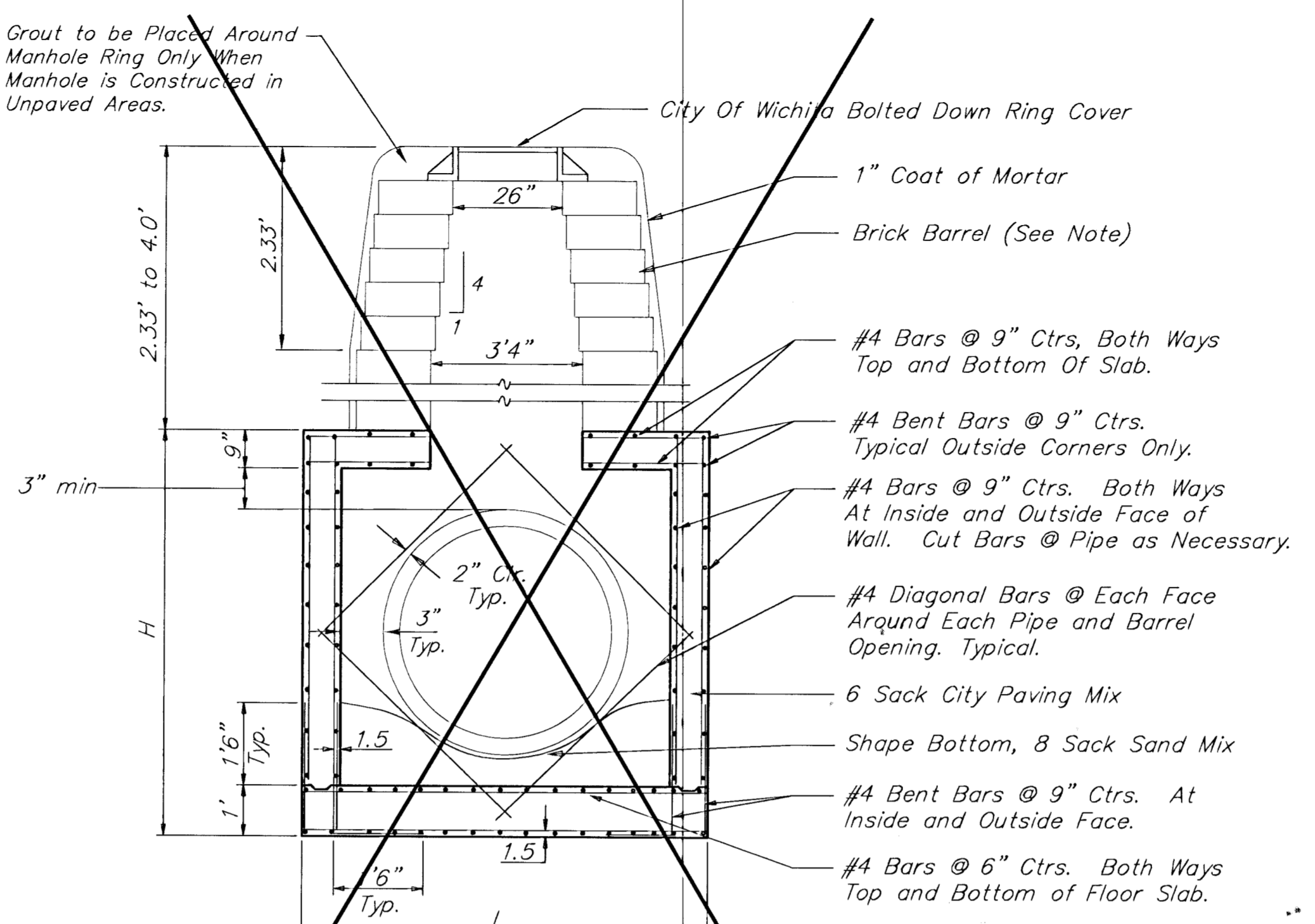
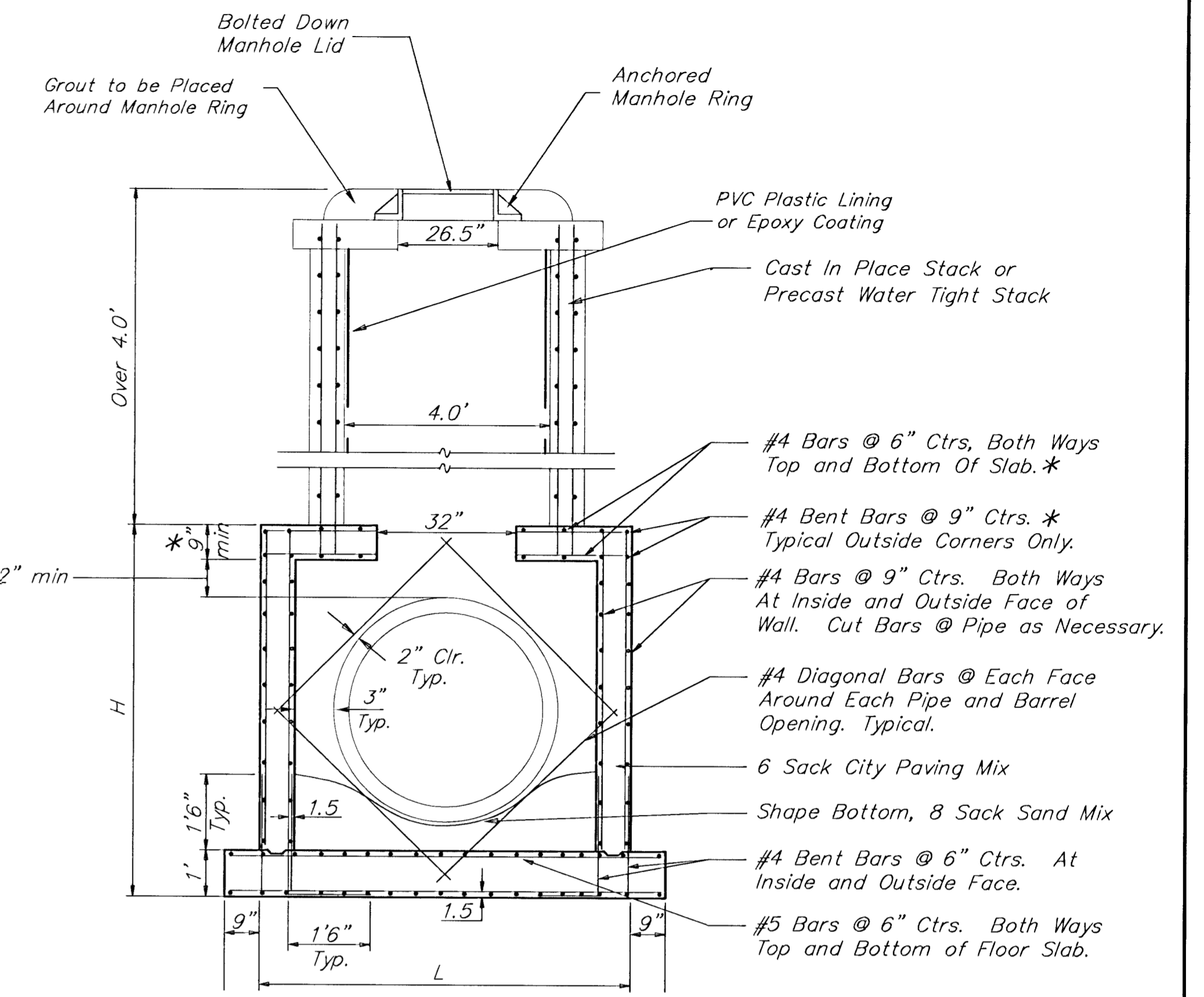


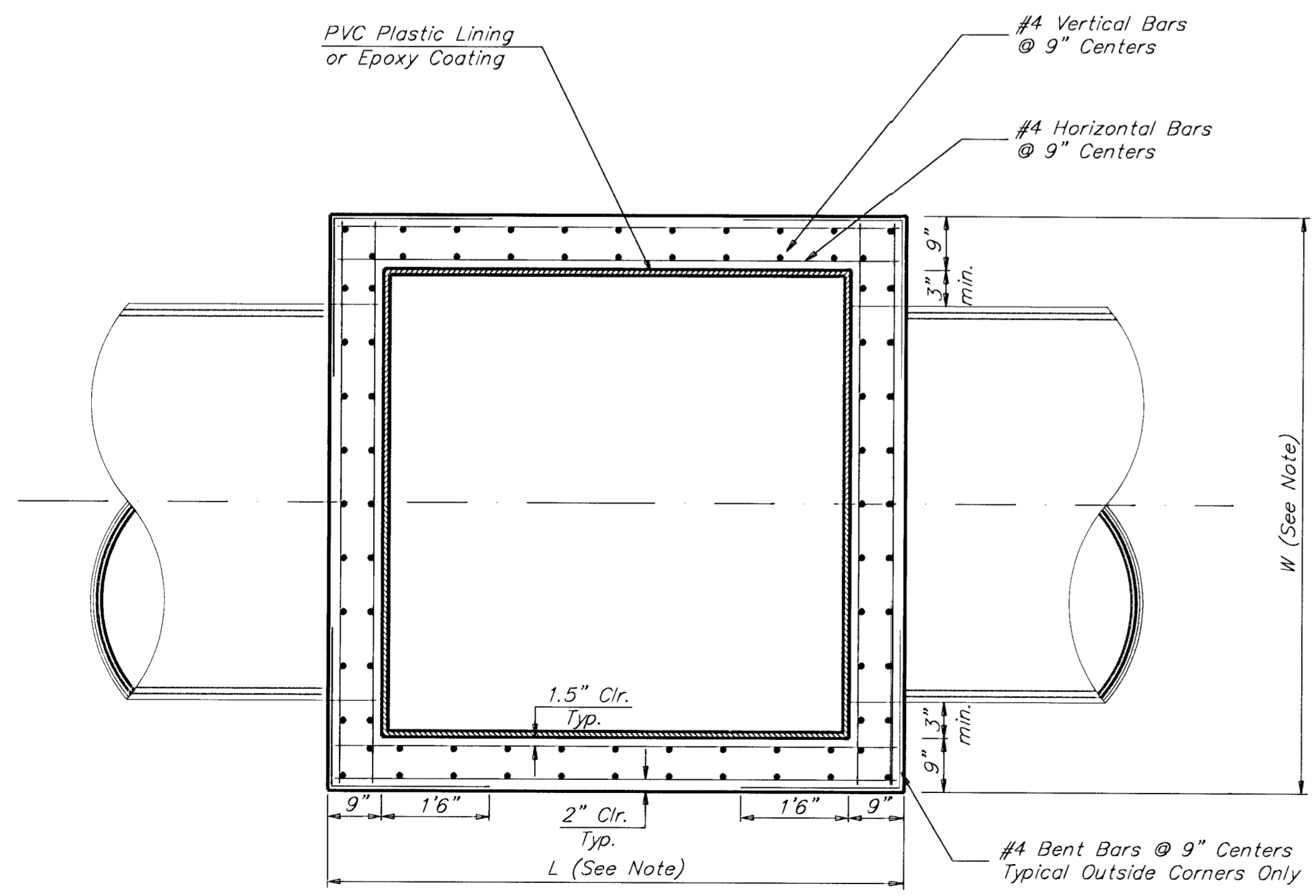
**REINFORCED CONCRETE MANHOLE**  
DEPTH OF STACK: 0' TO 2.33'



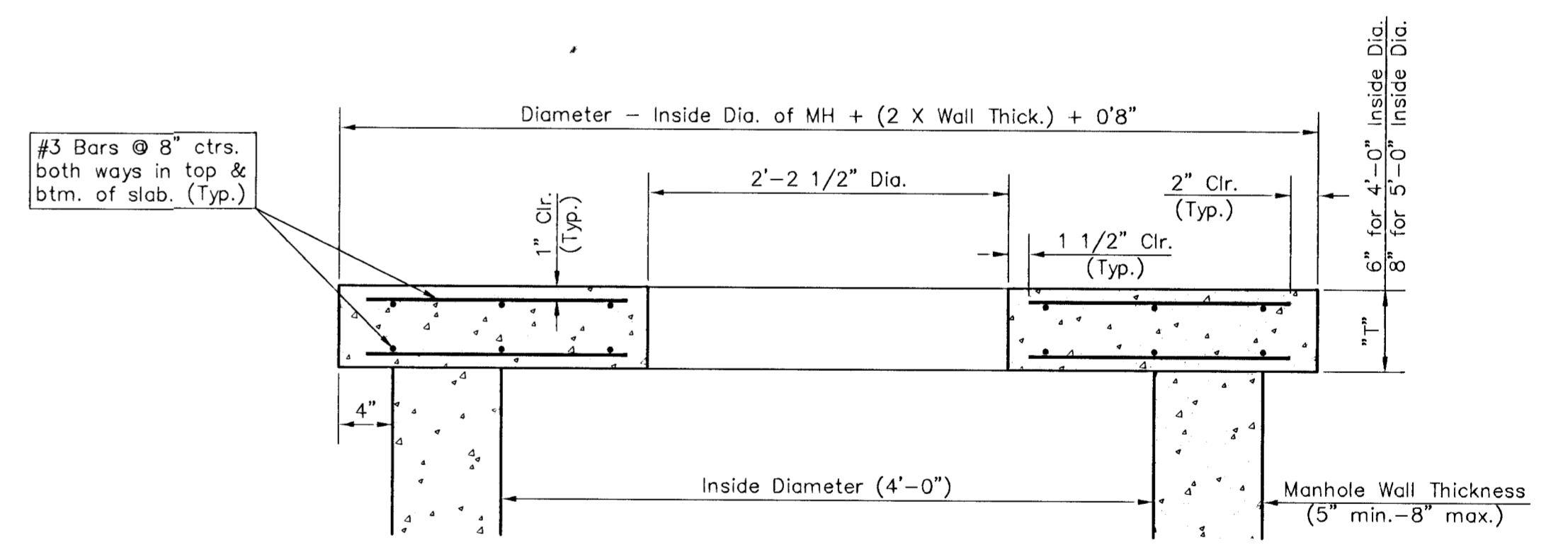
**REINFORCED CONCRETE MANHOLE**  
DEPTH OF STACK: 2.33' TO 4.0'



**REINFORCED CONCRETE MANHOLE**  
DEPTH OF STACK: OVER 4.0'



TOP VIEW



FLAT CONCRETE SLAB DETAILS

**NOTES:**

Contractor may construct Rein. Cast-in-Place or Precast Concrete Stack above Manhole structure. Precast stack must be anchored externally to manhole structure and be completely water-tight. Shop Drawings will be required for all Precast structures.

All areas that may be exposed to sewer gas including manhole tops shall require epoxy coating. (See General Notes)

\* Additional Top Slab Thickness and/or reinforcement configuration may be required for oversized Concrete Manhole Structures.

|  |                |                    |                  |   |                           |   |  |
|--|----------------|--------------------|------------------|---|---------------------------|---|--|
| PROJECT NUMBER<br>472-76-245-83324                                   |                | SHEET NAME<br>RCMH |                  | ENGINEERING DIRECTORY<br>F:\Hydraulic\KTA |                           | CAPITAL IMPROVEMENT PROJECT   |  |
| DESIGN<br>C.O.W.   | DRAWN<br>STAFF | APPROVED           | DATE<br>FEB 2001 | SCALE<br>NONE                             | BAUGHMAN NO<br>99-09-E453 | <b>REINFORCED CONCRETE MANHOLE</b>  |  |
| HYDRAULIC AVENUE PAVING - INCIDENTAL DRAINAGE IMPROVEMENTS - PHASE 1 |                |                    |                  |   |                           | <b>BAUGHMAN COMPANY, P.A.</b><br>ENGINEERING, SURVEYING, & PLANNING<br>316-262-7271 • 315 ELLIS • WICHITA, KANSAS 67211 |  |
|  |                |                    |                  |   |                           | SHEET 32 OF 36  |  |

F:\ENG\Hydraulic\KTA\RCMH.dwg Thu Feb 15 21:52:15 2001