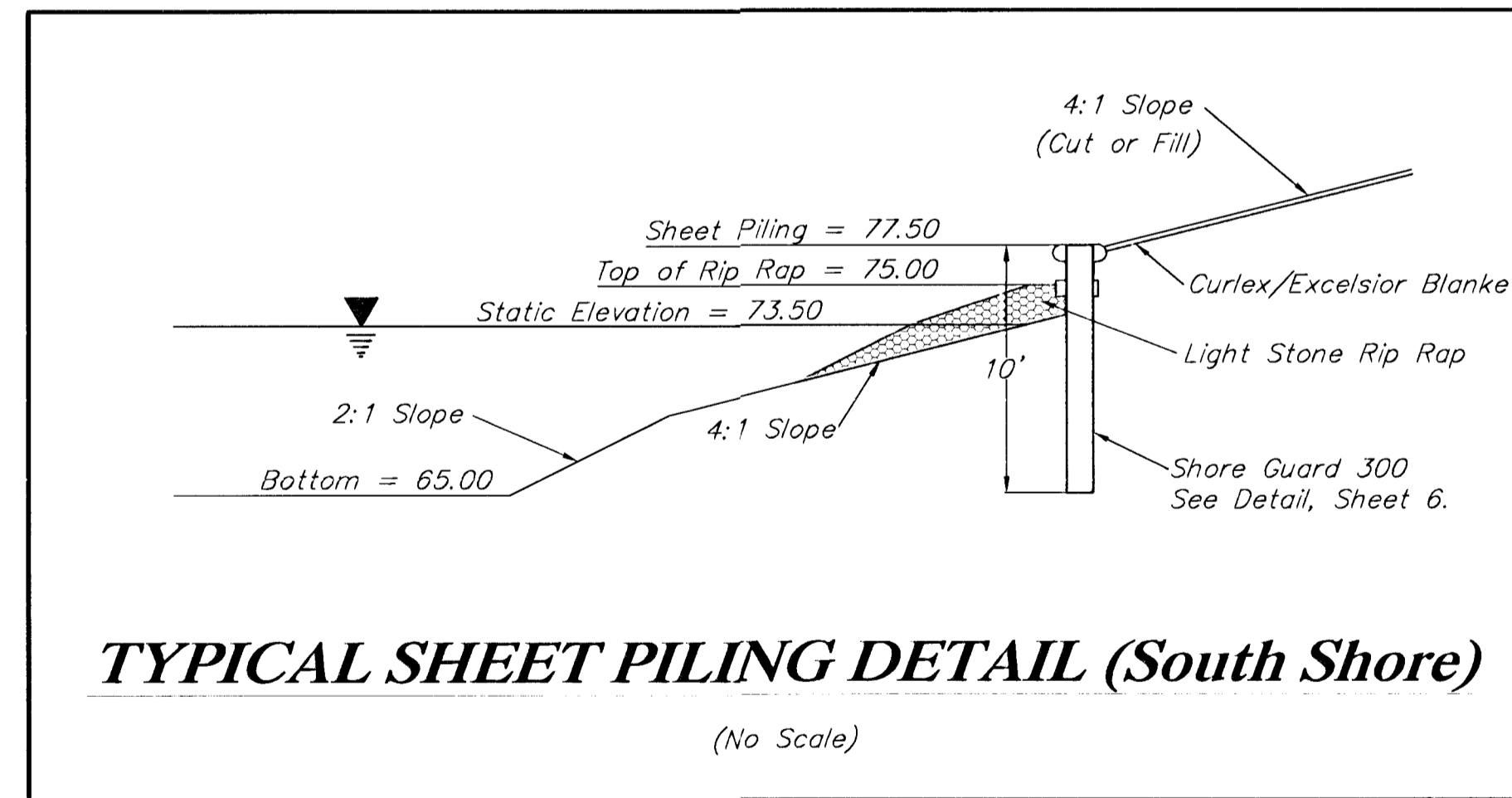
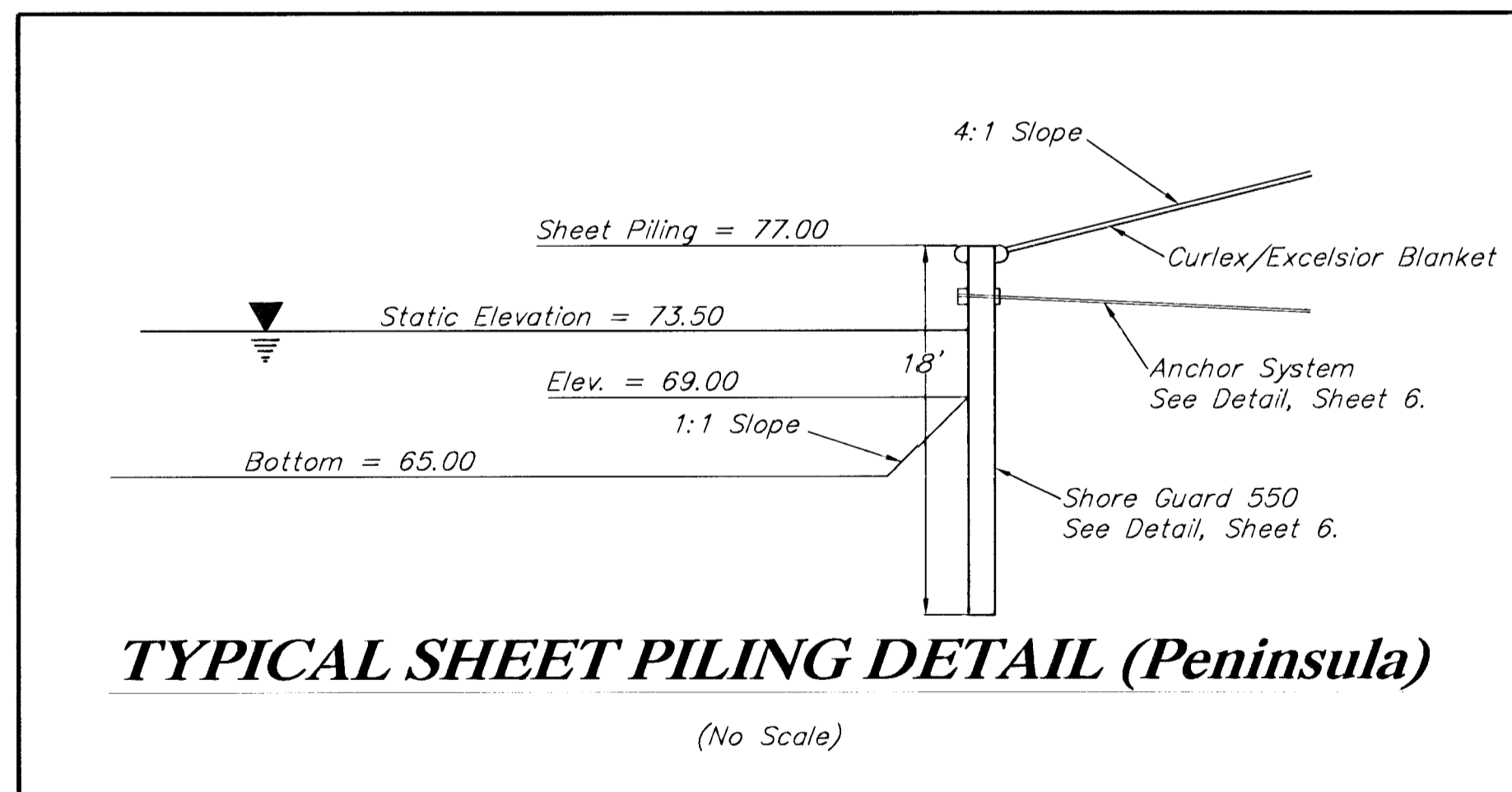


The Erosion Control Blanket Shall be Curlex/Excelsior, or approved equal. Install per manufacturers recommendation, including staples. See Detail, Sheet 18.



PROJECT NUMBER 472-76-245-83324		SHEET NAME Pond Detail		ENGINEERING DIRECTORY F:\Hydraulic\Pond	
DESIGN TPV/JFB	DRAWN TPV	APPROVED JFB	DATE Sept 2001	SCALE None	BAUGHMAN NO 99-09-E453

CAPITAL IMPROVEMENT PROJECT  
**TYPICAL POND SHORELINES AND  
TYPICAL CHANNEL DETAIL**  
HYDRAULIC AVENUE PAVING - INCIDENTAL DRAINAGE IMPROVEMENTS - PHASE 2

**BAUGHMAN COMPANY, P.A.**  
ENGINEERING, SURVEYING, & PLANNING  
316-262-7271 • 315 ELLIS • WICHITA, KANSAS 67211

SHEET  
8  
OF  
47

F:\Eng\Hydraulic\Pond\Detail.dwg Sun Sep 16 08:44:44 2001