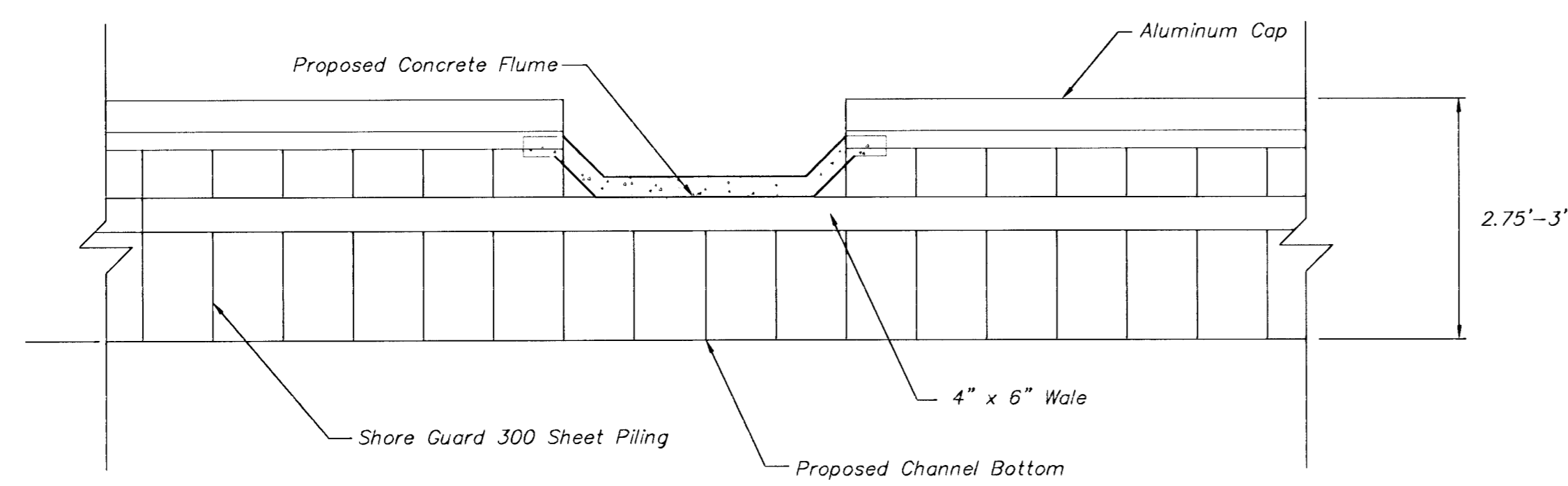
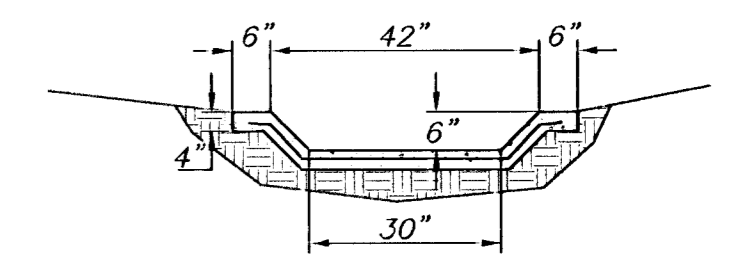
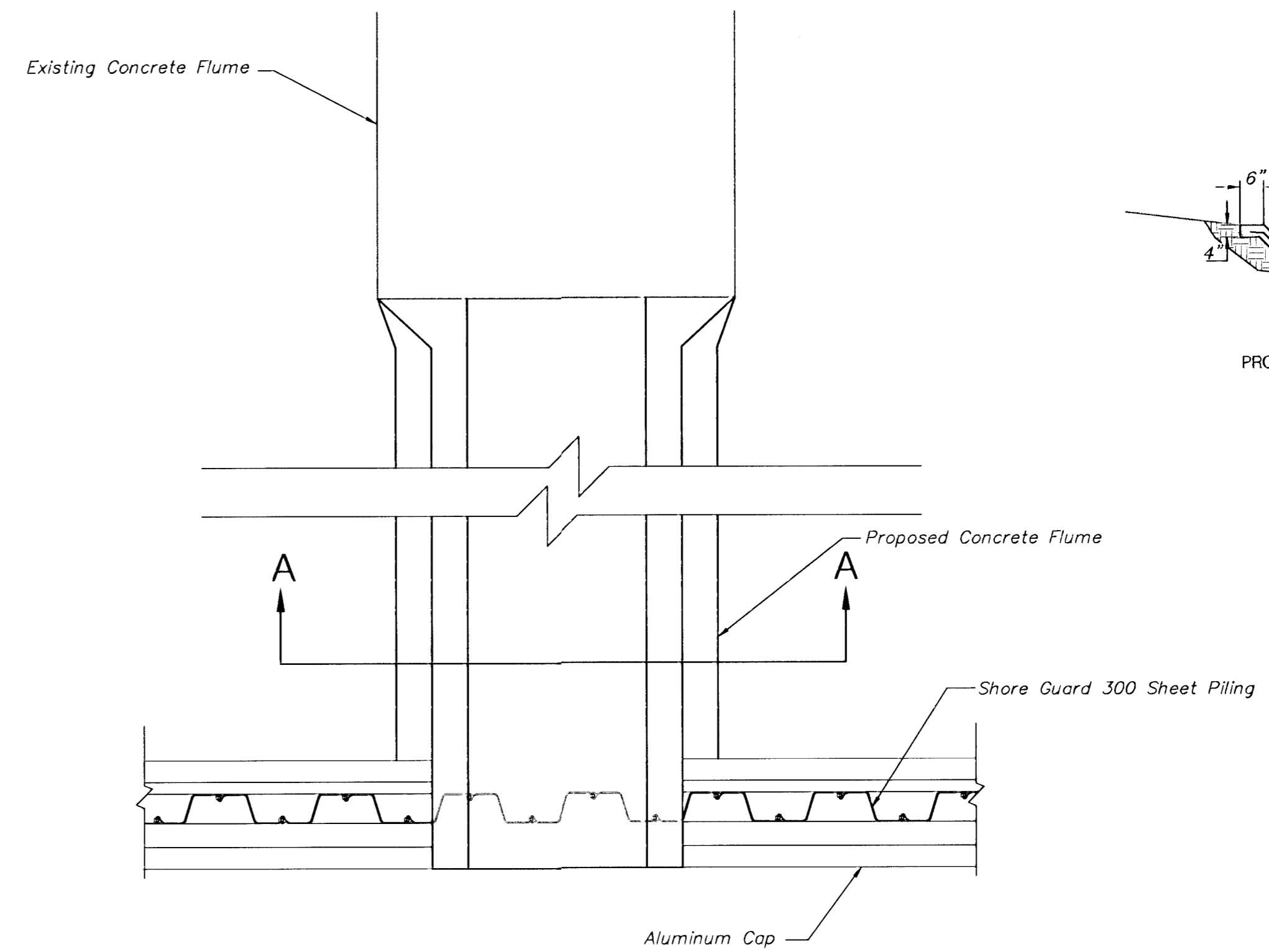


TYPICAL FLUME HOOK-UP TO RCBC SECTION

Remove and Replace Existing Concrete Flumes as Necessary for Construction. Cost to be *INCIDENTAL* to Flume Construction.



Saw Sheetpiling Through Flume Opening and Fill Exposed Ends of the Aluminum Cap with Grout. Cost to be *INCIDENTAL* to Flume Construction



PROPOSED CONCRETE FLUME Section A-A

TYPICAL FLUME HOOK-UP TO CHANNEL SECTION

PROJECT NUMBER 472-76-245-83324			SHEET NAME Flume		ENGINEERING DIRECTORY F:\Hydraulic\Pond	
DESIGN TPV/JFB	DRAWN TPV	APPROVED JFB	DATE Sept 2001	SCALE None	BAUGHMAN NO 99-09-E453	

CAPITAL IMPROVEMENT PROJECT
FLUME HOOK-UP DETAILS
HYDRAULIC AVENUE PAVING - INCIDENTAL DRAINAGE PROJECT - PHASE 2

BAUGHMAN COMPANY, P.A.
ENGINEERING, SURVEYING, & PLANNING
316-262-7271 • 315 ELLIS • WICHITA, KANSAS 67211

SHEET
15
OF
47