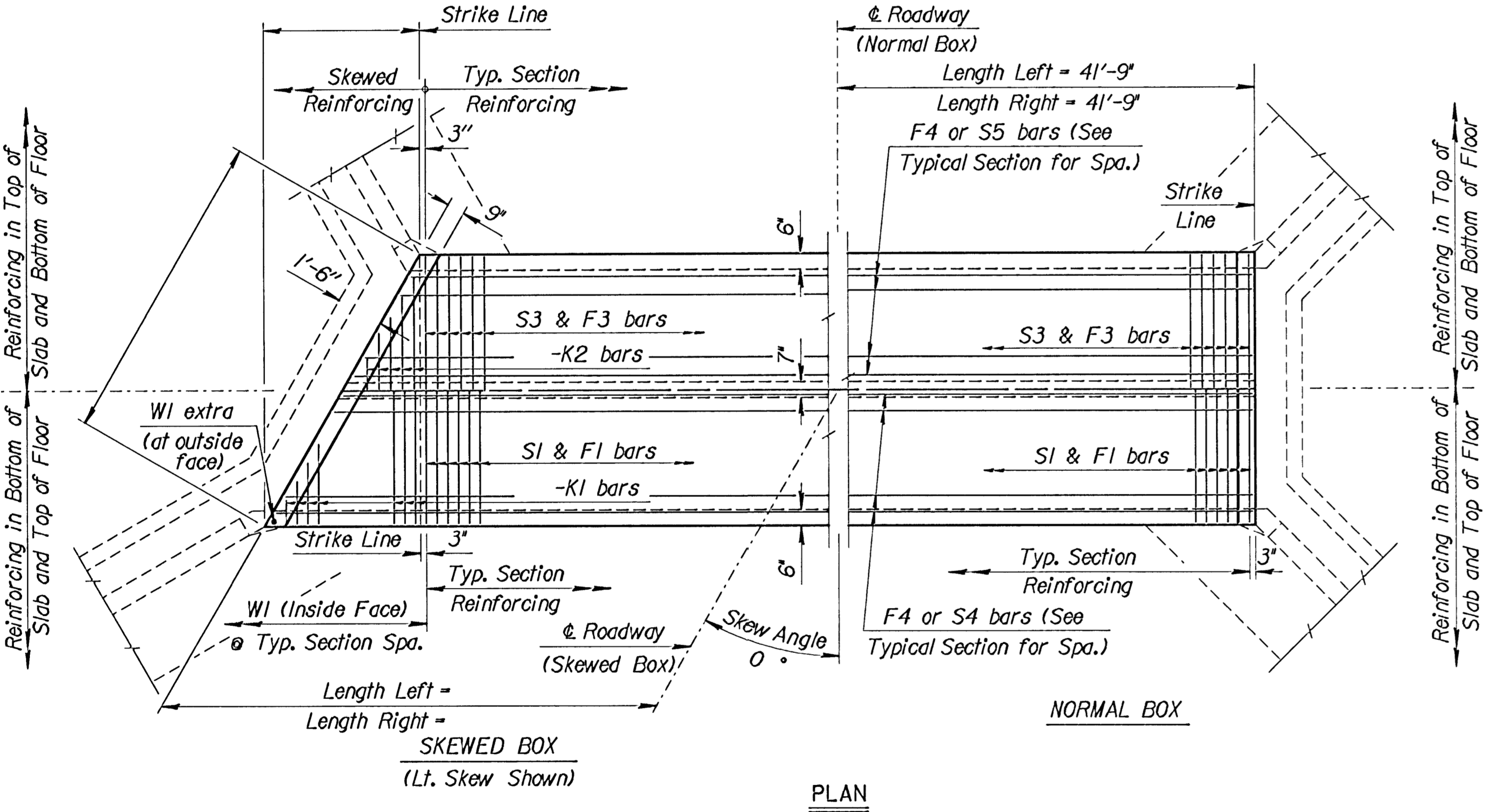
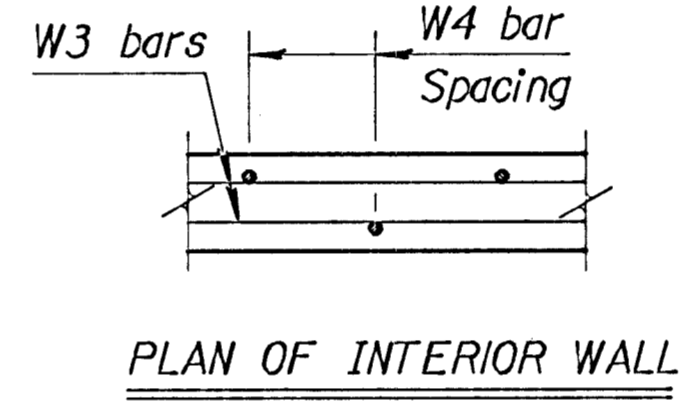
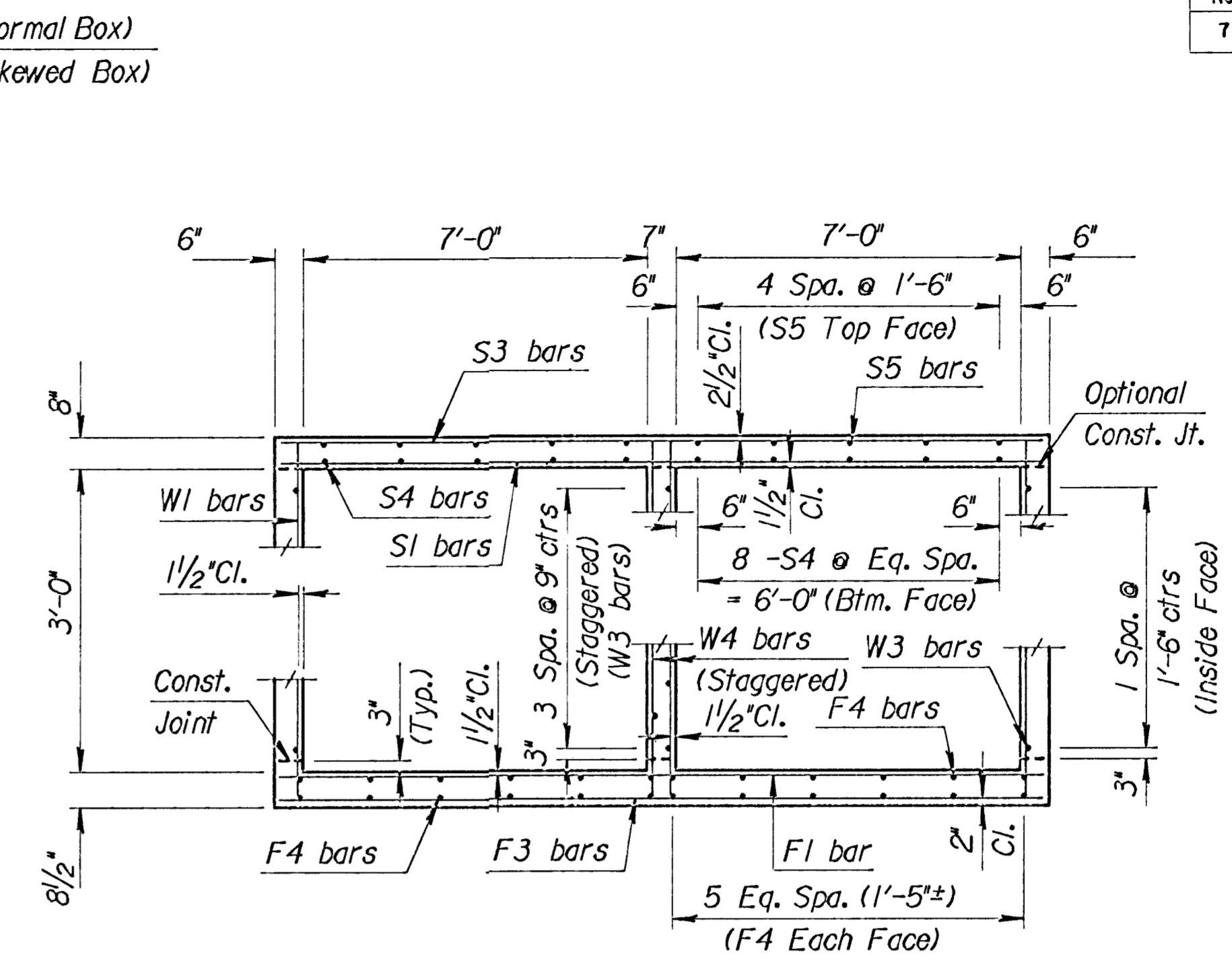
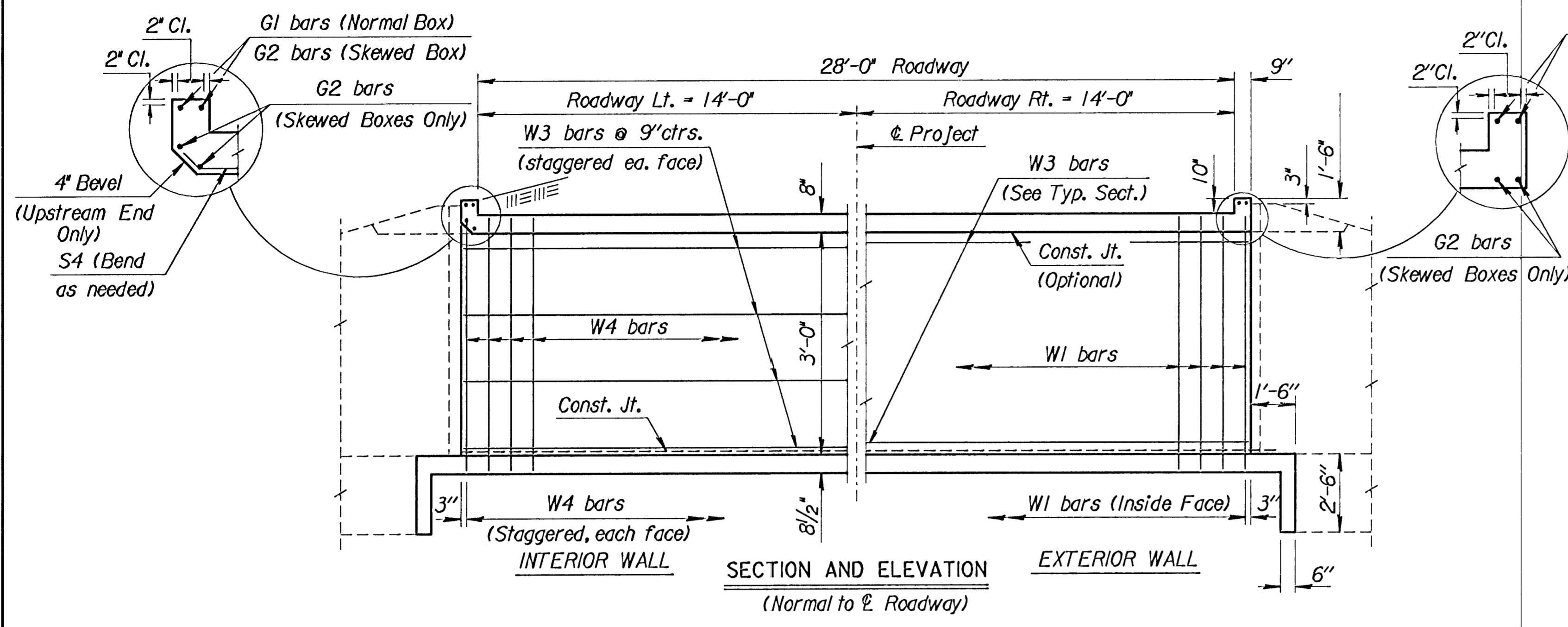


VERSION: 5.1.0 COMPILED: 02/09/99

DESIGN	CHECK	DATE

thor sell
F:\10273.dgn
10-AUG-2001 10:53
View=



GENERAL NOTES

LOADING: HS20-44 AASHTO Specifications, 1983 Edition.
UNIT STRESSES: Class AAA Concrete; $f'_c = 4,000$ p.s.i.
 Reinforcing Steel; $f_y = 60,000$ p.s.i.
FILL HEIGHT: Unless otherwise noted, the Design Fill Height is measured from the riding surface at the culvert and shall include the surfacing.
CONCRETE: Class AAA Concrete shall be used throughout. Bevel all exposed edges with a $\frac{3}{4}$ inch triangular moulding. Where Class AAA Concrete (AE) is specified, it shall be placed in the top slab above the Construction Joint.
REINFORCING: All reinforcing shall conform to ASTM A615, Grade 60. All dimensions relative to reinforcing steel shall be to centerline of bar unless otherwise noted.
EXCAVATION: Excavation for culverts less than bridge length shall not be paid for directly but shall be subsidiary to Class AAA Concrete. Excavation for RCB Bridges shall be paid for as Class III Excavation.
SEAL COURSE: A Seal Course may be required by the Engineer. The Seal Course shall be unreinforced Concrete (Commercial Grade) to a minimum depth of 3 inches or as determined by the Engineer. Concrete for the seal course shall be paid for at the unit price set for Concrete for Seal Course.
FOUNDATION STABILIZATION: Foundation Stabilization may be required as directed by the Engineer. The depth of Foundation Stabilization shall be determined by the Engineer. Foundation Stabilization shall be paid for at the determined Unit Price set for Foundation Stabilization. See Auxiliary Details.
QUANTITIES: The quantities shown in the Culvert Summary include apron and/or soil saver quantities when their construction is required by the plans. Payment for additional quantities that result from including seal course and/or floating apron, as a change in original plans, shall be made at the Unit Price bid for the various items involved.
GRANULAR BACKFILL (WINGWALLS): Special backfill procedures may be required at the direction of the Engineer. See Auxiliary Details Sheet.
STRIKE LINE: Wingwalls and that portion of the RCB outside the Strike Line shall be constructed level. Footing for wingwalls shall be constructed with the culvert floor. See wingwall detail sheet.

Note: Only cast-in-place or double-cell, precast boxes may be used at this location.

Minimum Splice Lengths	
#4	1'-4"
#5	1'-8"
#6	2'-0"

SUMMARY OF QUANTITIES	
Class AAA Concrete	59.3 C.Y.
Class AAA Concrete (AE)	32.9 C.Y.
Reinforcing Steel (Gr. 60)	9440 Lbs.
Reinforcing Steel (Epoxy Coated)	7920 Lbs.
Class III Excavation	C.Y.
Foundation Stabilization (Set)	1 C.Y.
Concrete for Seal Course (Set)	1 C.Y.
Granular Backfill (Wingwalls) (Set)	1 C.Y.

CULVERT SUMMARY															
Flow Line Elev. Lt.	Flow Line Elev. Rt.	Crown Gr. Elev.	Design Fill Ht.	Skew	Left Wings	Right Wings	Scour Apron	Soil Saver	Granular Backfill	Concrete			Reinf. Steel (Gr. 60)		
										Barrel (Cu.Yds.)	Wings (Cu.Yds.)	Total (Cu.Yds.)	Barrel (Lbs.)	Wings (Lbs.)	Total (Lbs.)
77.20	77.20	81.20	2	0	FLARED	FLARED	YES	NO	NO	81.65	10.51	92.16	16674.8	688.17	17363.0

BAR SCHEDULE																																	
F1				F3				F4				Δ S1				Δ S3				Δ S4				Δ S5									
Size	Spa.	No.	Length	Size	Spa.	No.	Length	Size	Spa.	No.	Length	Size	Spa.	No.	Length	Size	Spa.	No.	Length	Size	Spa.	No.	Length	Size	Spa.	No.	Length						
6	7"	143	15'-3"	-	-	-	-	5	6"	167	15'-3"	4	72	28'-8"	6	7"	143	15'-3"	-	-	-	-	5	6"	167	15'-3"	5	32	42'-6"	4	30	28'-8"	
Δ K1				Δ K2				W1				W3				W4				Δ G1				Δ G2									
Size	Spa.	No.	Length	Size	Spa.	No.	Length	Size	Spa.	No.	Length	Size	Spa.	No.	Length	Size	Spa.	No.	Length	Size	Spa.	No.	Length	Size	Spa.	No.	Length	Size	Spa.	No.	Length		
-	-	-	-	-	-	-	-	4	9"	224	4'-1"	-	-	-	-	4	24	28'-8"	4	9"	112	4'-1"	5	4	15'-3"	-	-	-	-	-	-	-	-

NO.	DATE	REVISIONS	BY	APP'D
KANSAS DEPARTMENT OF TRANSPORTATION				
Sta.				
DOUBLE 7' x 3' RCB				
26/47				
BR 2.07.03		SEDGWICK CO.		
DESIGNED	QUANTITIES	TRACED	KENNETH F. HURST	
DESIGN CK.	DETAIL CK.	QUAN. CK.	TRACE CK.	