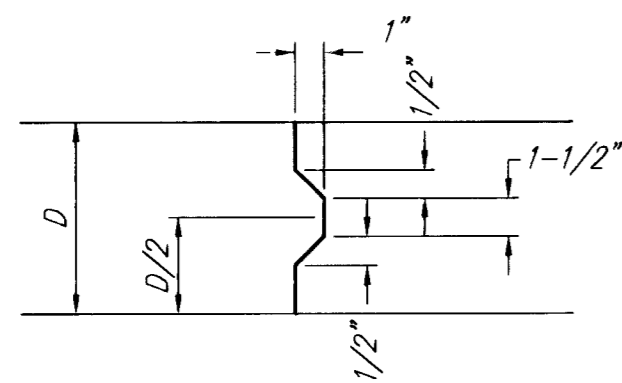
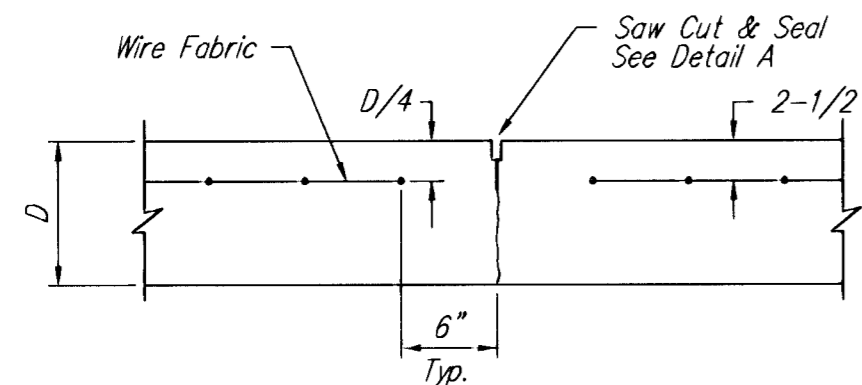


EXPANSION JOINT

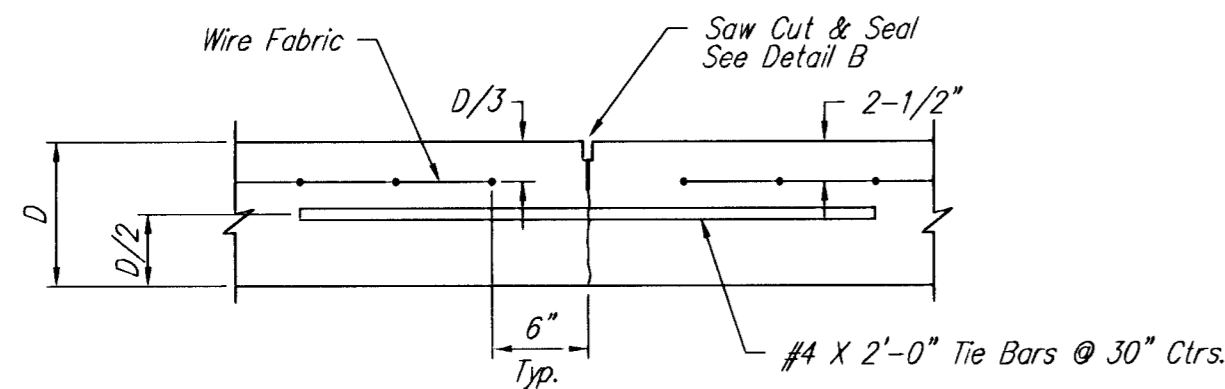
NOTE: Extra Thickness to be Subsidiary to Price of Square Yards Pavement



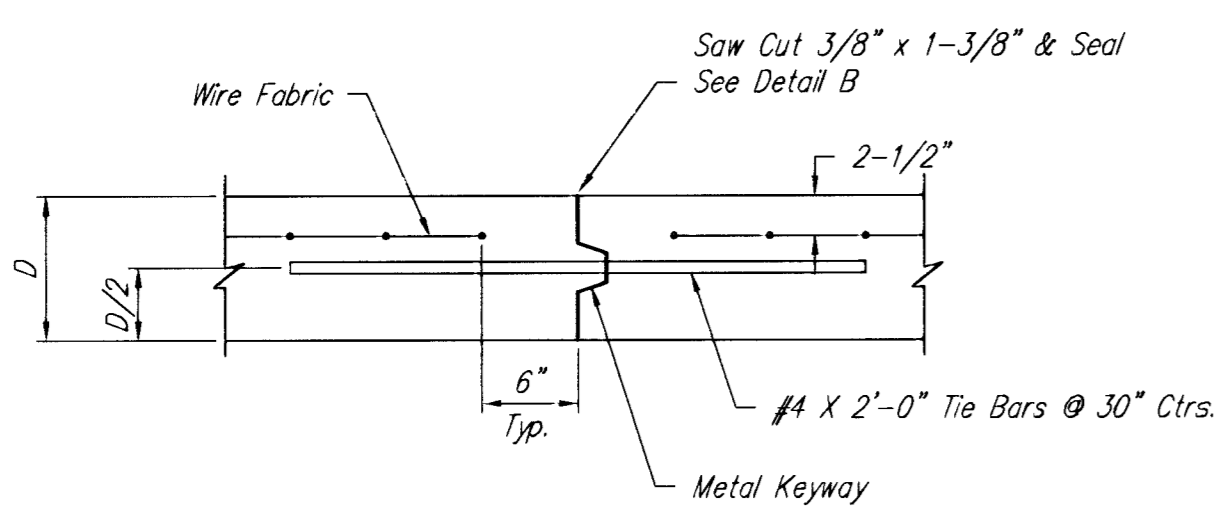
KEYWAY DETAIL



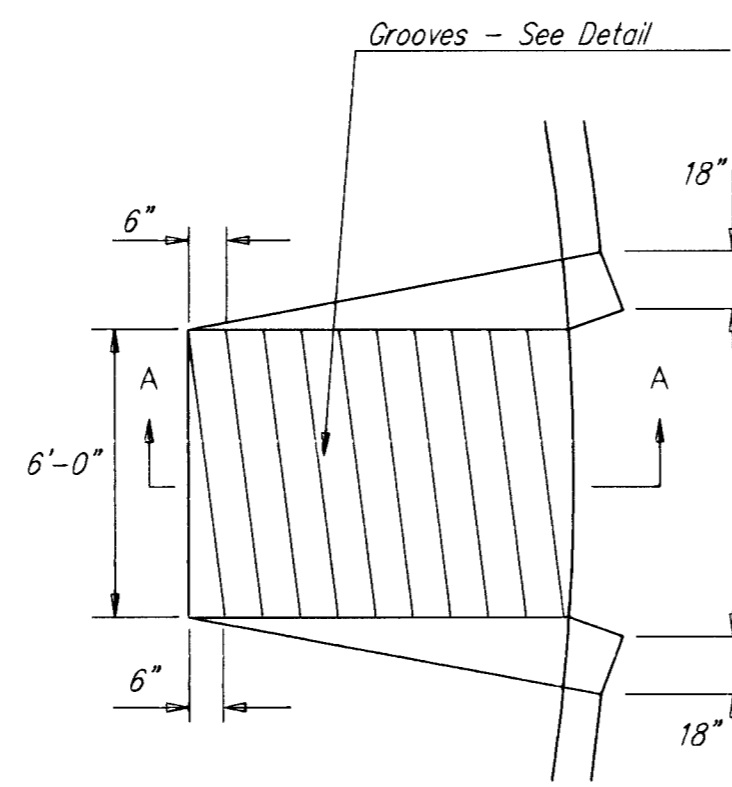
CONTRACTION JOINT DETAIL (C.J.)



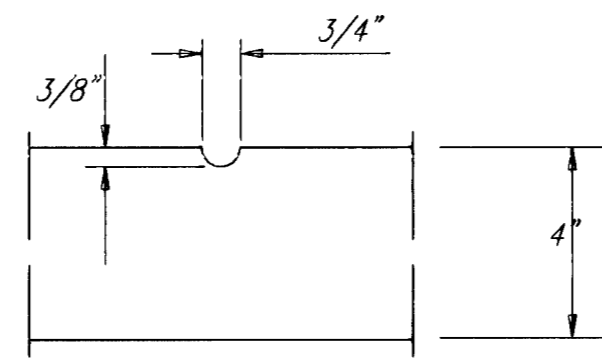
LONGITUDINAL JOINT DETAIL (L.J.)



OPTIONAL LONGITUDINAL JOINT DETAIL (L.J.) (CONSTRUCTION JOINT)

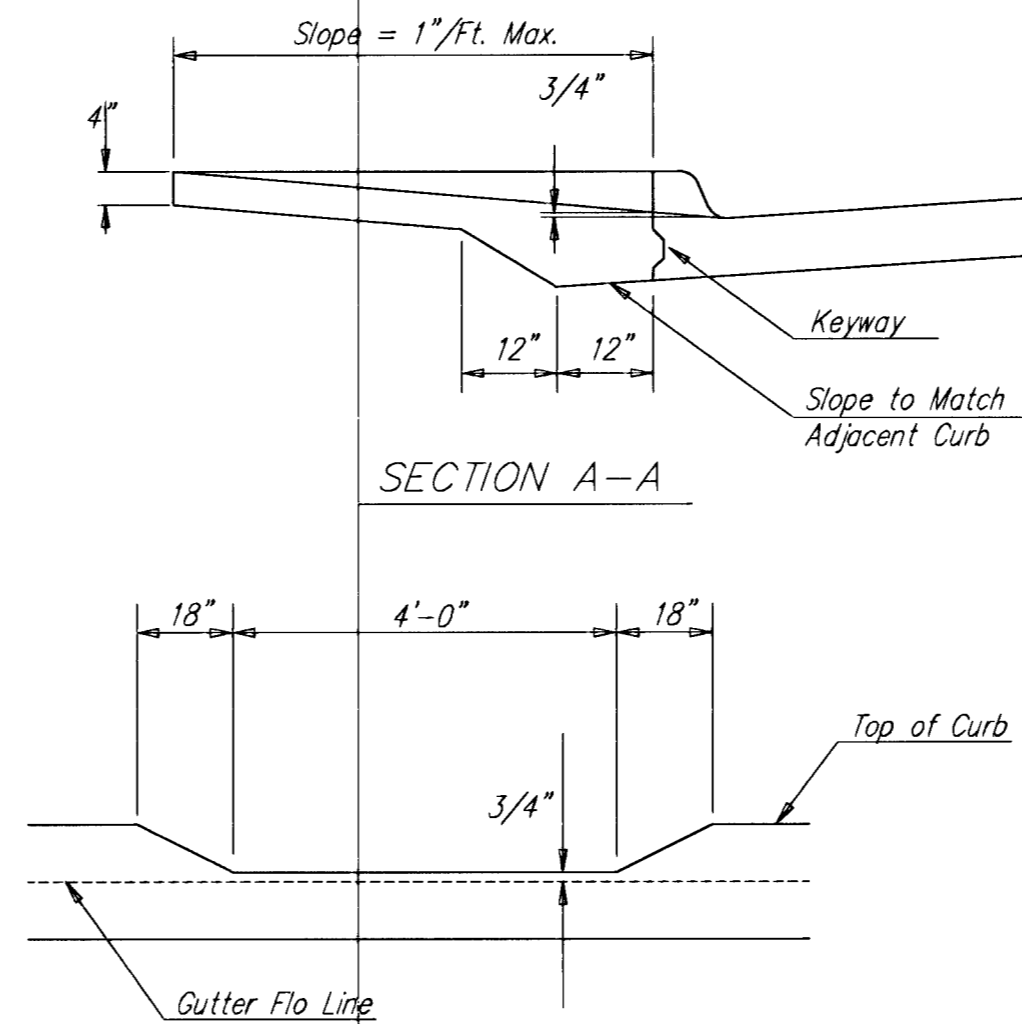


WHEELCHAIR RAMP PLAN VIEW

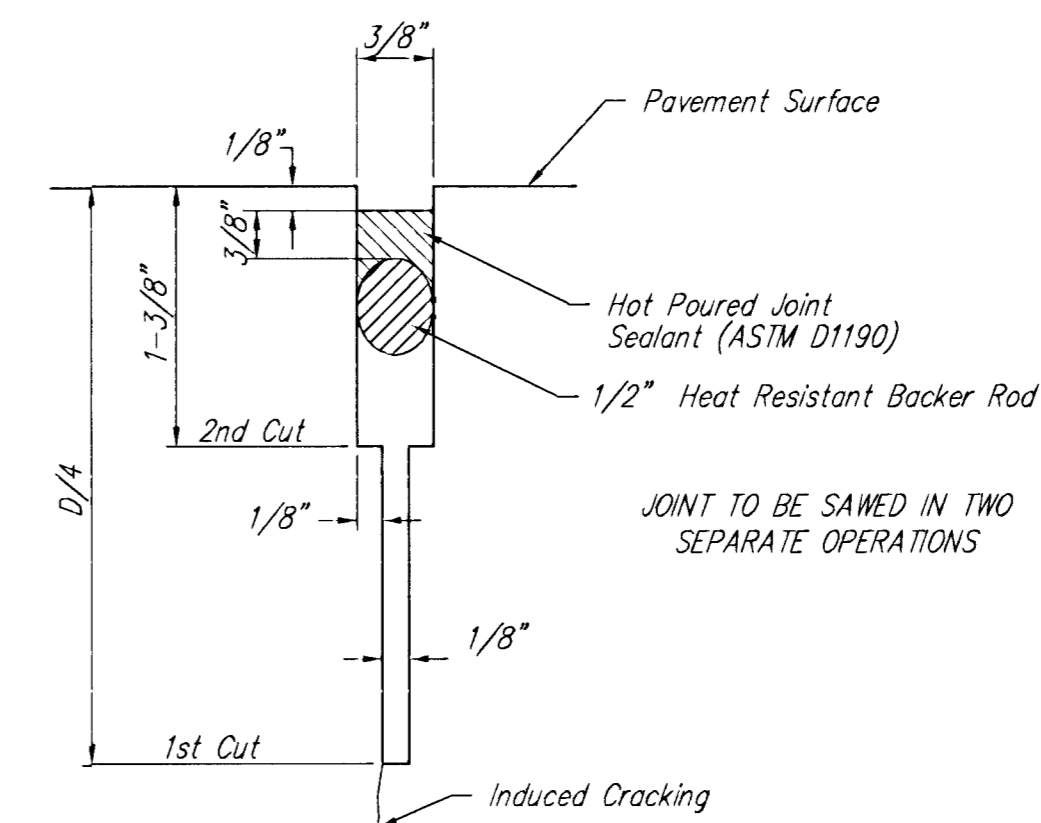


GROOVE DETAIL

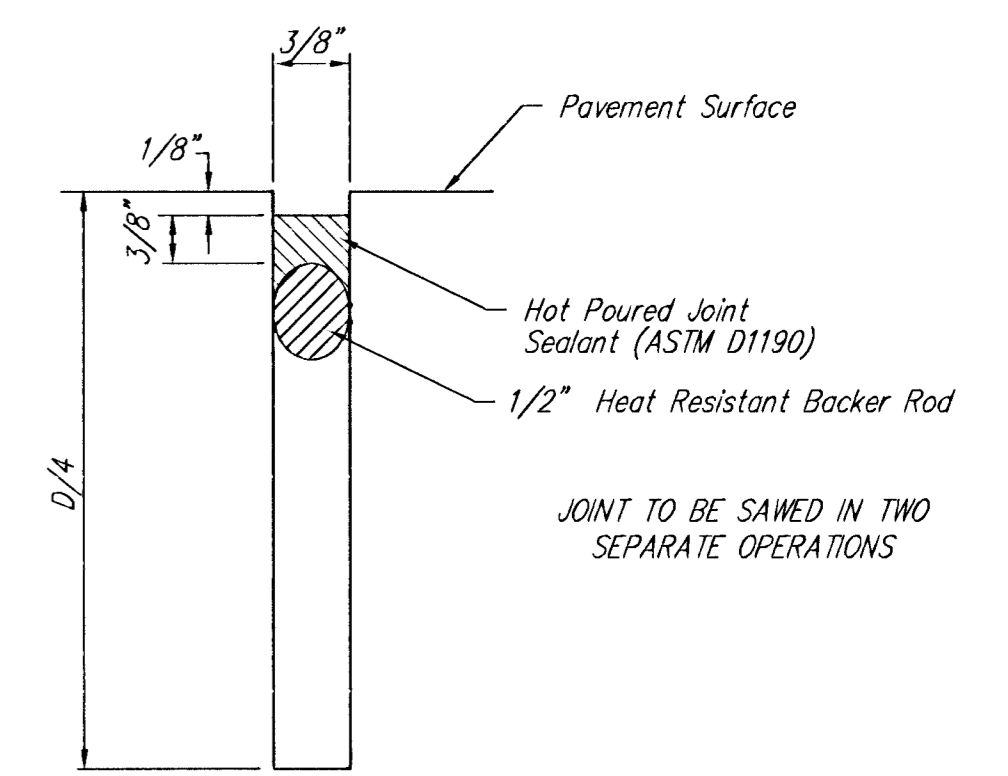
WHEELCHAIR RAMP DETAIL



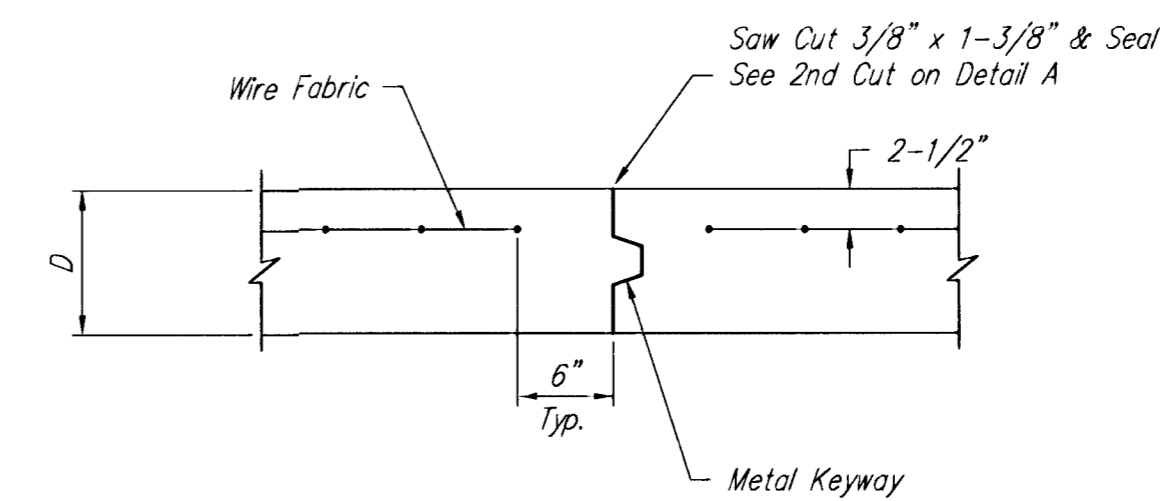
DEPRESSED CURB DETAIL



SAW JOINT DETAIL "A"

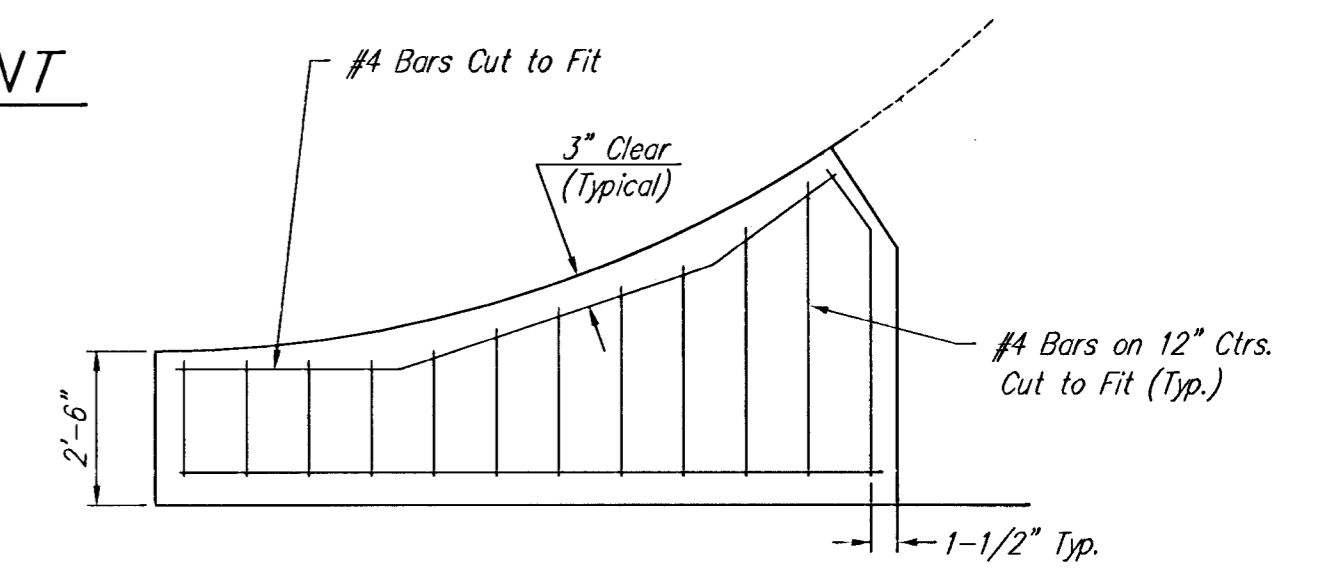


SAW JOINT DETAIL "B"



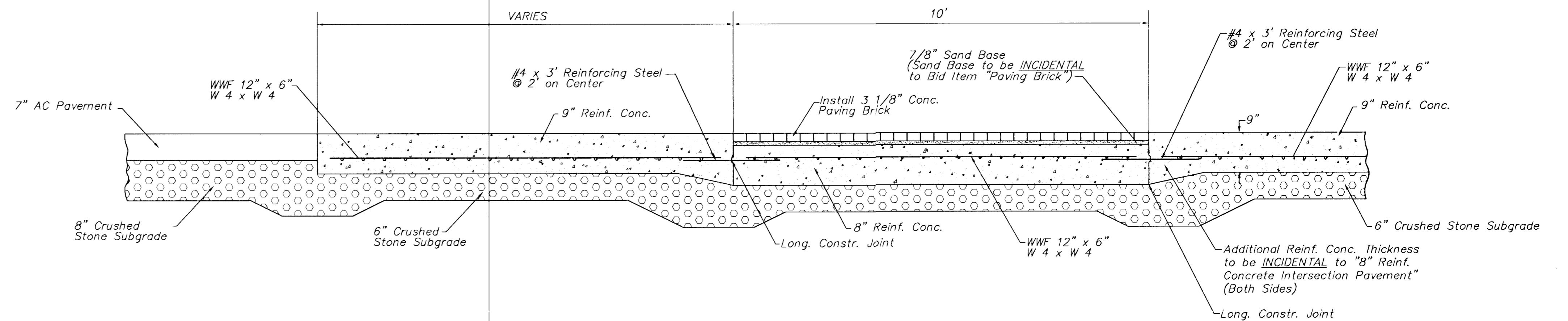
OPTIONAL CONTRACTION JOINT (CONSTRUCTION JOINT)

NOTE: 6" X 12" WAXW4 Wire Fabric Reinforcing Shall Be Placed So That The Wires With The 6" Spacing Will Run Parallel With The Longitudinal Joints.



WING REINFORCING DETAIL

PAVING BRICK CROSSWALK DETAIL



PROJECT NUMBER 472-76-245-83324		SHEET NAME Pmntdetail		ENGINEERING DIRECTORY E:Eng/Hydraulic/Details		CAPITAL IMPROVEMENT PROJECT		BAUGHMAN COMPANY, P.A. ENGINEERING, SURVEYING, & PLANNING 316-262-7271 • 315 ELLIS • WICHITA, KANSAS 67211	SHEET 6 OF 102
DESIGN	DRAWN	APPROVED	DATE	SCALE	BAUGHMAN NO	STANDARD PAVEMENT DETAILS HYDRAULIC AVENUE PAVING - 47TH STREET SOUTH TO MACARTHUR ROAD			
	STAFF		Sept. 02	None	99-09-E450				