

GENERAL WATER NOTES

- Opening and closing of water valves shall be done slowly to prevent damage to the distribution system by a water hammer. All valves that are closed by the Contractor must be reopened as new construction permits. The Project Inspector must ascertain that any valve closed by the Contractor is reopened. The Contractor will be permitted to operate a water valve only when the Project Inspector assigned to the project is present.
- Valves are to be marked with lengths of 2 x 4's, painted blue, and extended 5' above the ground at all locations. Cost to be INCIDENTAL to valve installation.
- The water main shall be constructed on the alignment shown by the plans. Trees and shrubs that are in the public right-of-way and which are in direct conflict with the proposed construction shall be removed by the Contractor with the Engineer's approval. Trees and shrubs which are not in direct conflict with the proposed construction shall be saved, trimmed as necessary, and protected from damage. The cost for any necessary tree trimming, clearing, and/or grubbing shall be INCIDENTAL to "R\W Clearing and Site Preparation".
- Adjustment of proposed valves boxes shall be INCIDENTAL to valve installation. Adjustment of existing valve boxes shall be paid for as Valve adjustment.
- Power Poles within close proximity to the proposed water line may require temporary bracing to facilitate construction. Contractor shall contact Jim Horton with KG&E at 261-6311 prior to construction to coordinate pole bracing.
- All existing roadway, sidewalks, and drive pavement removed due to construction of proposed waterline shall be temporarily replaced to maintain traffic flow and shall be considered INCIDENTAL to other items in the Project.
- Contractor will be required to provide notice to utility companies a minimum of forty-eight (48) hours to any excavation, as follows:

Kansas One-Call 687-2470

ENTITIES TO BE CONTACTED PRIOR TO CONSTRUCTION

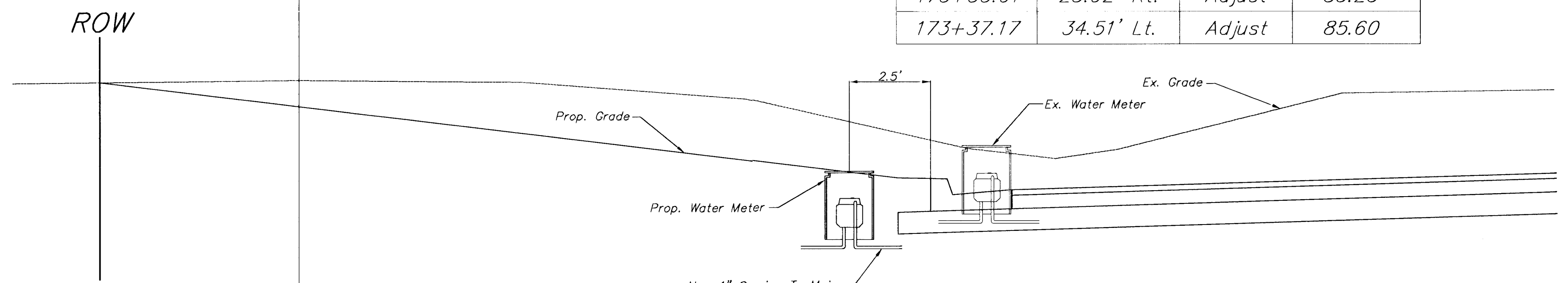
CITY OF WICHITA WATER DEPARTMENT Mr. Bill Perkins or Mr. Paul Bryant (316) 268-4563
- The Contractor shall give all property owners and/or tenants of developed property directly abutting the construction of this project a minimum of ten (10) days notice prior to start of construction, and a 24 hour notice prior to any planned water shut down.
- All water mains and appurtenances shall be installed in accordance with the City of Wichita, Kansas, Standard Specifications.
- Existing water mains and service connections are to remain in service until proposed new mains have been completed and tested. New water services will be installed by the Contractor. Some services found to be abandoned may require a new main connection and meter setter to allow for future business activity. The Contractor shall verify with the Water Dept. those services which are to be reconnected.
- This project shall be constructed concurrently with the paving project. Phased construction of the water main to coordinate with pavement, sanitary sewer, & storm sewer construction may require temporary thrust blocking. Cost of any such thrust blocking shall be INCIDENTAL to the bid item for water pipe.
- The Contractor shall return all salvageable valves, hydrants fittings, and etc. to the City of Wichita Water Distribution Department Yard located at 1703 Sim Park Drive. The Contractor shall be required to have all salvaged material checked in by the Storekeeper.
- All Costs associated with removal of abandoned storm sewer, gas, water, etc. pipes necessary to facilitate new water line construction shall not be paid for directly, but shall be considered INCIDENTAL to other items in the project.
- Temporary Blow-off Valves necessary to flush lines at existing water line tie-ins shall not be paid for directly, but shall be considered INCIDENTAL to other items in the bid.

WATER METER ADJUSTMENT TABLE

B.L. Sta.	Ex. Offset		New Offset	Status	Elevation
	Short Svc.	Long Svc.	Long Svc.		
119+90.57		33.91' Lt.	--		84.88
120+19.55	32.42' Rt.		--		83.81
121+17.00		34.52' Lt.	--		84.38
122+37.88	31.85' Rt.		--		83.37
122+86.36		24.55' Lt.	27.00' Lt.		82.25
124+24.00		26.60' Lt.	--		81.87
126+52.00		24.54' Lt.	27.00' Lt.		82.50
127+85.08		24.70' Lt.	27.46' Lt.		82.87
131+81.42		28.19' Lt.	29.60' Lt.		81.82
131+83.20		28.05' Lt.	29.55' Lt.		81.82
131+85.24		28.01' Lt.	29.50' Lt.		81.82
132+16.77		27.20' Lt.	--	Abnd	81.73
133+25.38		26.82' Lt.	--		81.58
136+98.06		26.55' Lt.	--		80.43
138+44.88		25.93' Lt.	27.00' Lt.		80.91
140+29.00		26.53' Lt.	27.00' Lt.		81.77
140+70.00		26.14' Lt.	27.00' Lt.		81.92
142+37.55	32.56' Rt.		--		82.60
143+19.78		29.33' Lt.	--		82.28
144+06.48	32.00' Rt.		--		82.54
145+02.54		26.61' Lt.	--		81.82
145+89.07		27.02' Lt.	--		82.09
158+73.30	32.78' Rt.		--		83.11
165+94.31		35.99' Lt.	--		86.36
167+05.30	40.06' Rt.		--		85.93
167+05.90		32.38' Lt.	--		86.23
174+04.92		29.86' Lt.	--		86.08

WATER VALVE ADJUSTMENT TABLE

B.L. Sta.	Ex. Offset	Status	Elevation
122+48.34	28.30' Rt.	Remove	--
122+60.00	34.26' Rt.	New	83.62
124+17.16	32.51' Rt.	Remove	--
124+17.16	30.54' Rt.	New	82.35
128+48.06	31.64' Rt.	Adjust	82.85
128+51.29	33.40' Lt.	Adjust	82.95
129+80.67	33.54' Rt.	Adjust	82.87
139+64.98	32.65' Rt.	Adjust	81.51
142+33.57	52.34 Rt.	New	82.79
142+45.58	31.61' Rt.	Adjust	83.02
142+47.29	29.84' Rt.	Adjust	82.83
148+62.41	35.50' Rt.	New	82.89
148+87.24	27.90' Rt.	Remove	--
148+83.25	35.50' Rt.	New	82.95
148+87.68	31.06' Lt.	Remove	--
148+94.30	27.91' Rt.	Remove	--
149+01.52	35.50' Rt.	New	82.84
149+01.53	33.72' Rt.	Remove	--
150+80.42	35.50' Rt.	New	81.44
150+80.43	30.14' Rt.	Remove	--
155+13.23	28.97' Rt.	Remove	--
155+14.36	47.44' Lt.	New	83.00
155+22.36	31.13' Rt.	New	82.71
156+98.27	32.40' Rt.	Adjust	82.17
162+08.36	30.55' Rt.	New	86.00
162+17.40	28.01' Rt.	Remove	--
165+18.87	30.87' Rt.	Remove	--
165+27.92	33.54' Rt.	New	84.90
169+13.40	26.77' Rt.	Adjust	86.22
169+22.58	30.56' Rt.	Adjust	86.22
169+25.05	49.00' Rt.	Adjust	85.74
169+29.68	29.96' Rt.	Adjust	85.87
173+33.01	25.92' Rt.	Adjust	85.25
173+37.17	34.51' Lt.	Adjust	85.60



No Scale

Water Meter Offset Detail