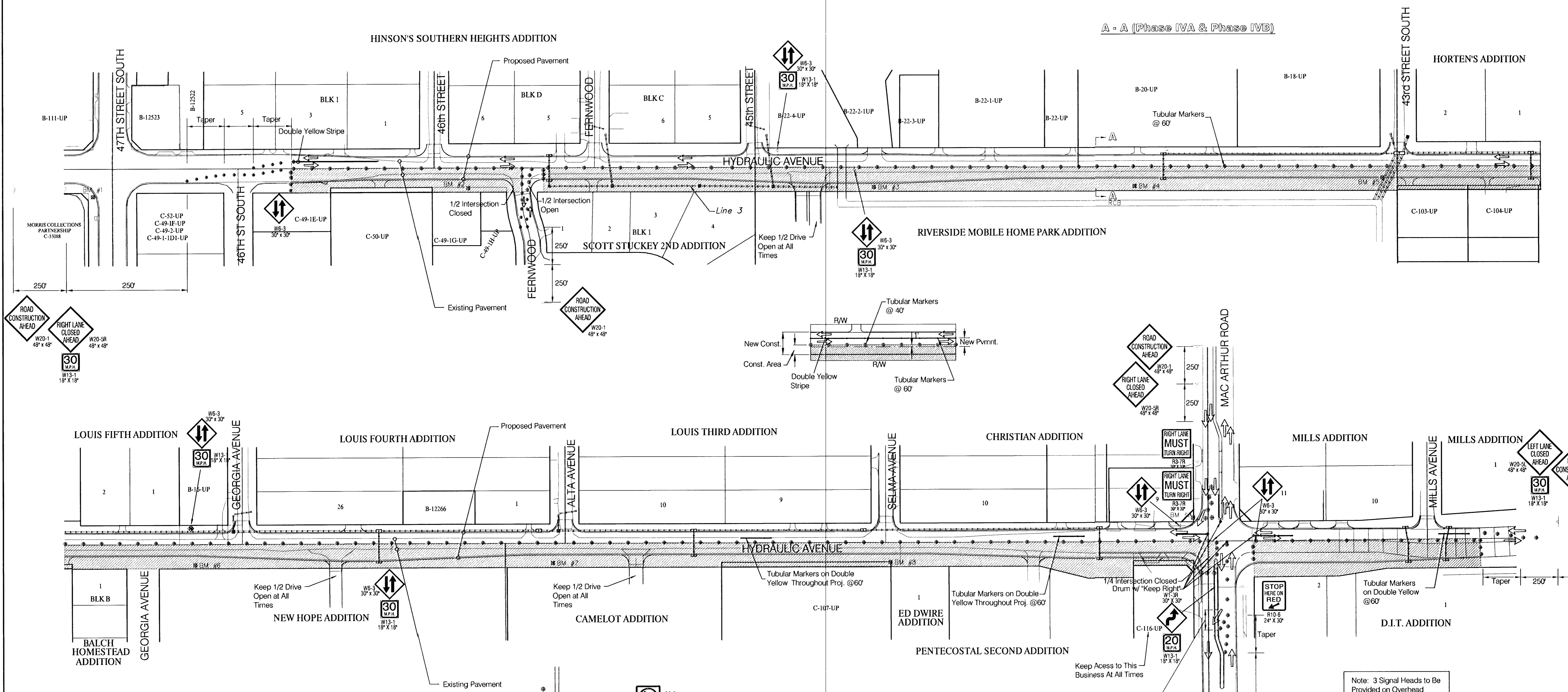
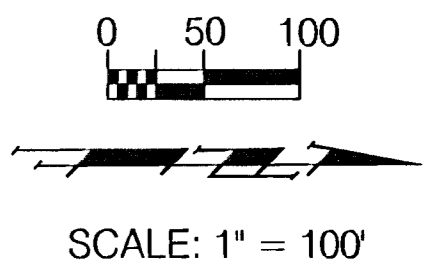
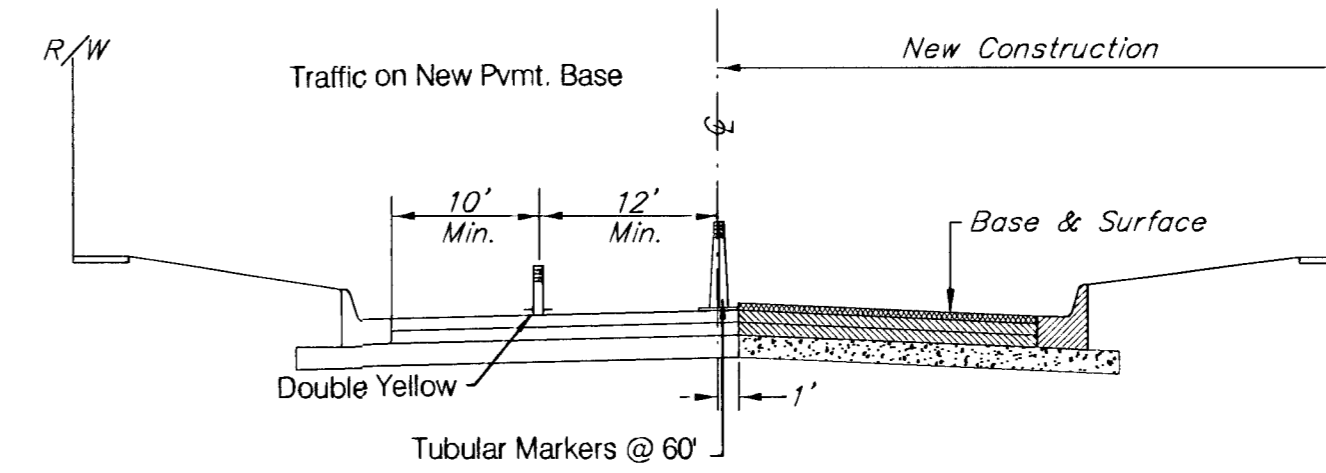
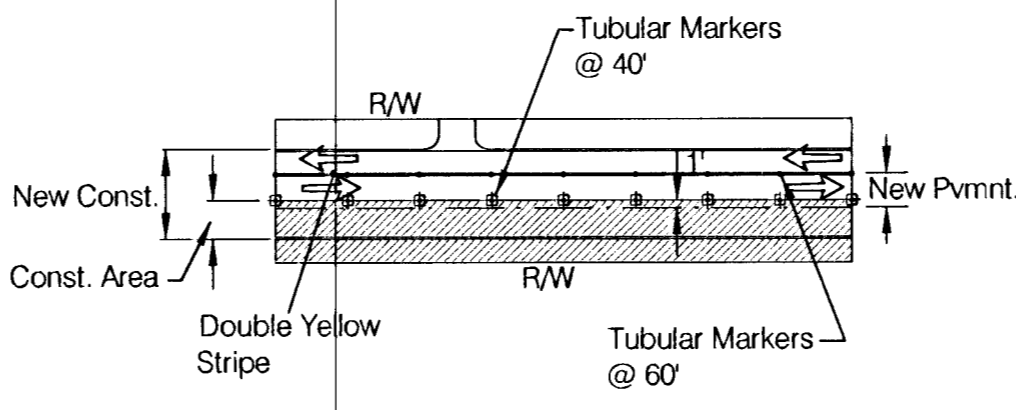
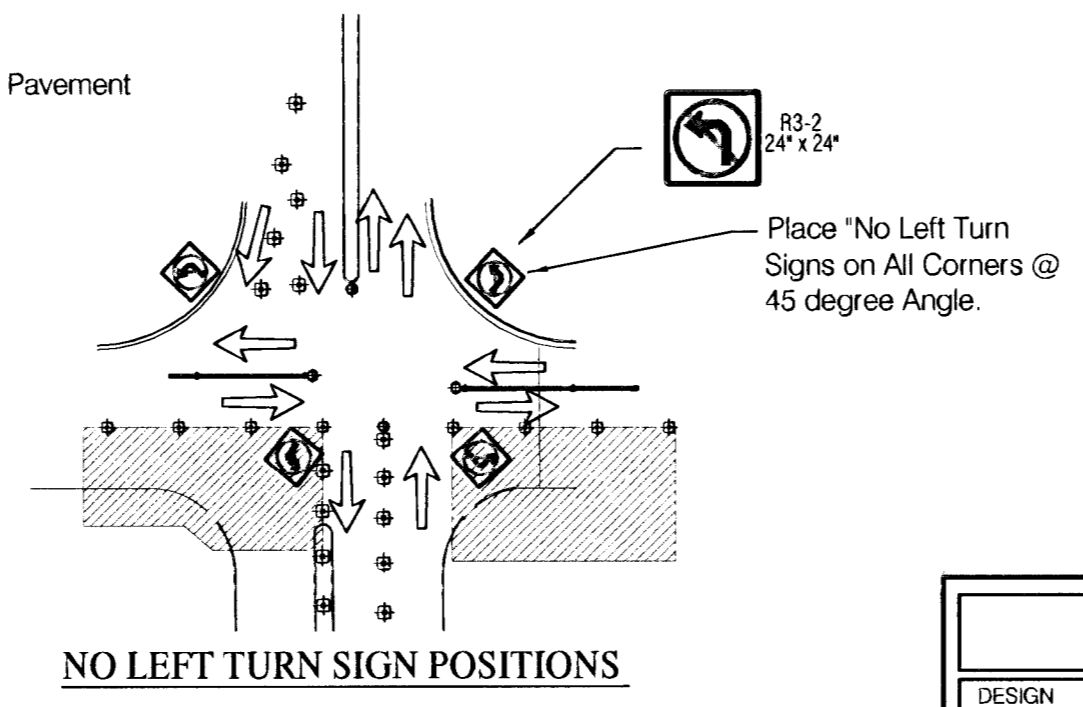


Phase IV A



LEGEND	
	Work Area
	Temporary Pavement
	Traffic Sign
	Reflectorized Drum
	Tubular Marker
	Type III Barricade
	Temp Lane Markings (White)
	Temp Lane Markings (Yellow)
	Traffic Flow Pattern



Note: 3 Signal Heads to Be Provided on Overhead Temporary Signal System.

PROJECT NUMBER 472-76-245-83324		SHEET NAME Conseq05		ENGINEERING DIRECTORY F:Eng/Hydraulic/Conseq	
DESIGN JFB	DRAWN KWR	APPROVED JFB	DATE Sept. 2002	SCALE Noted	BAUGHMAN NO 99-09-E450

CAPITAL IMPROVEMENT PROJECT
HYDRAULIC AVENUE TRAFFIC CONTROL
HYDRAULIC AVENUE PAVING - 47TH STREET SOUTH TO MACARTHUR ROAD

BAUGHMAN COMPANY, P.A.
ENGINEERING, SURVEYING, & PLANNING
316-282-7271 • 315 ELLIS • WICHITA, KANSAS 67211

SHEET
75
OF
102