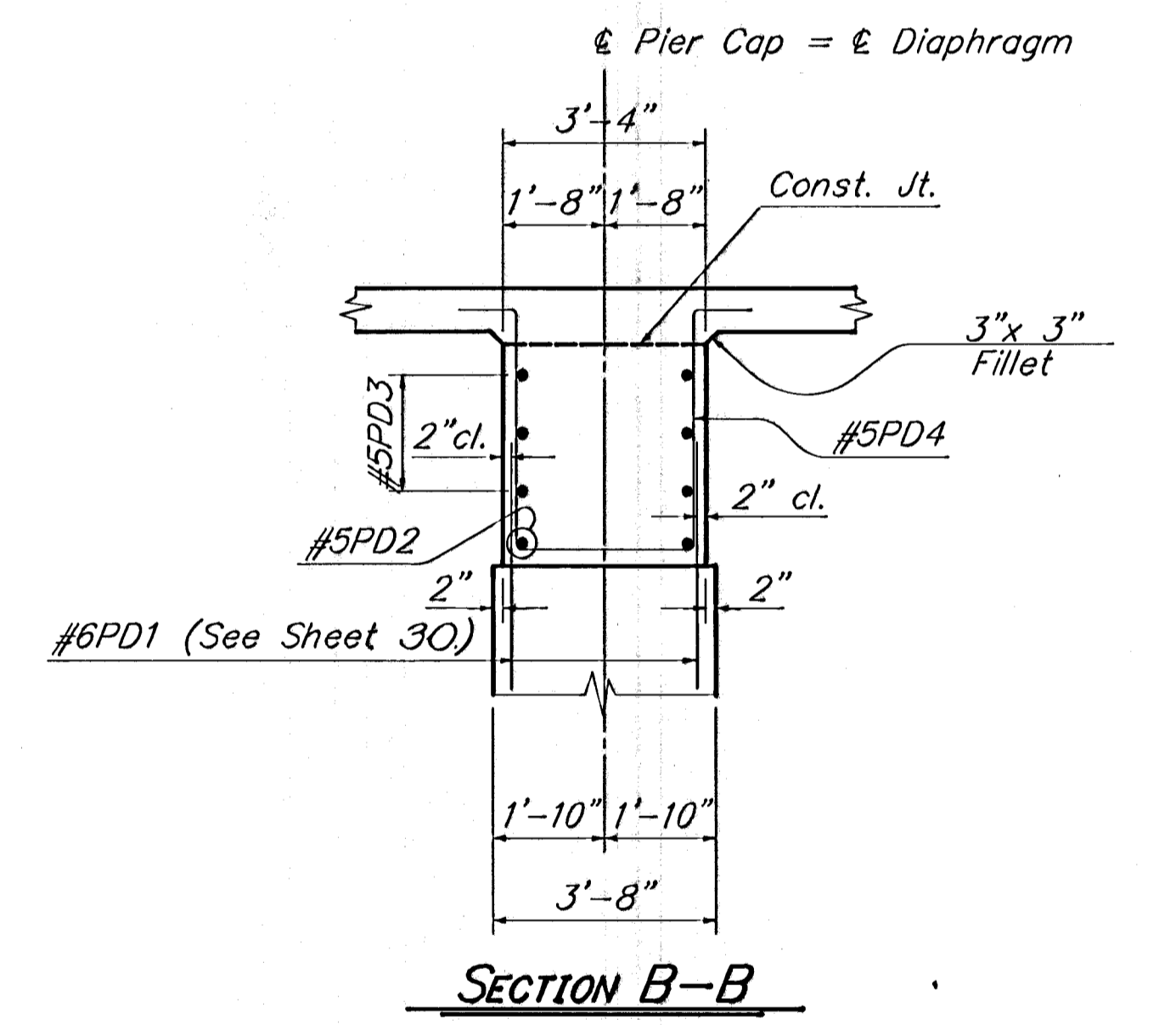
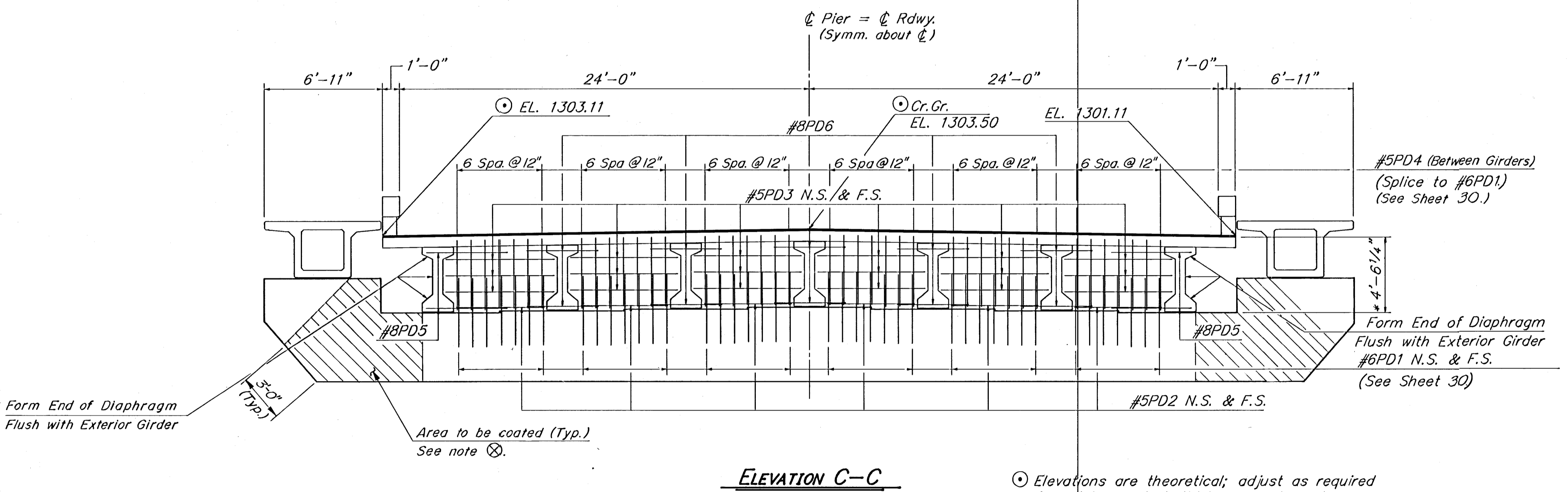
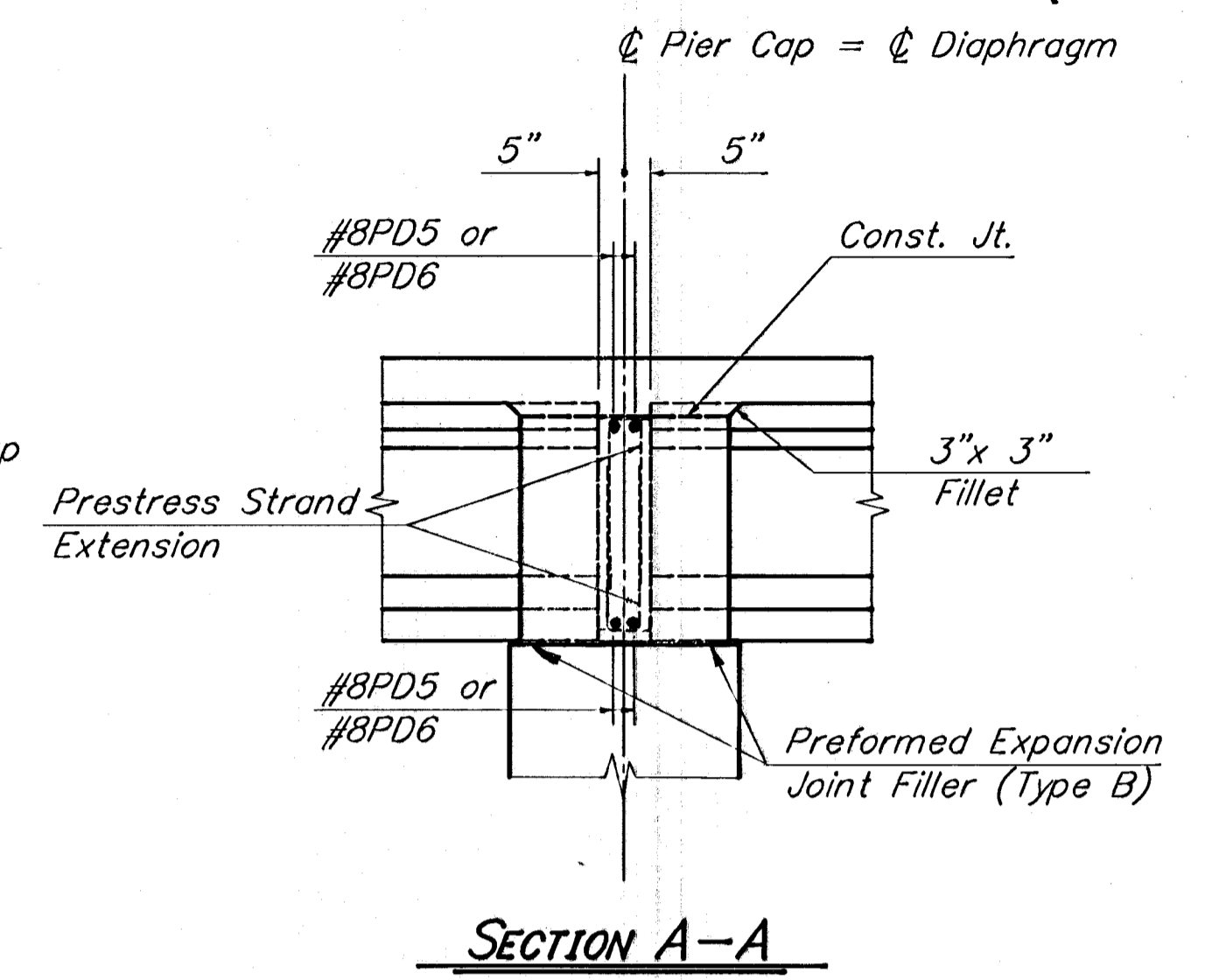
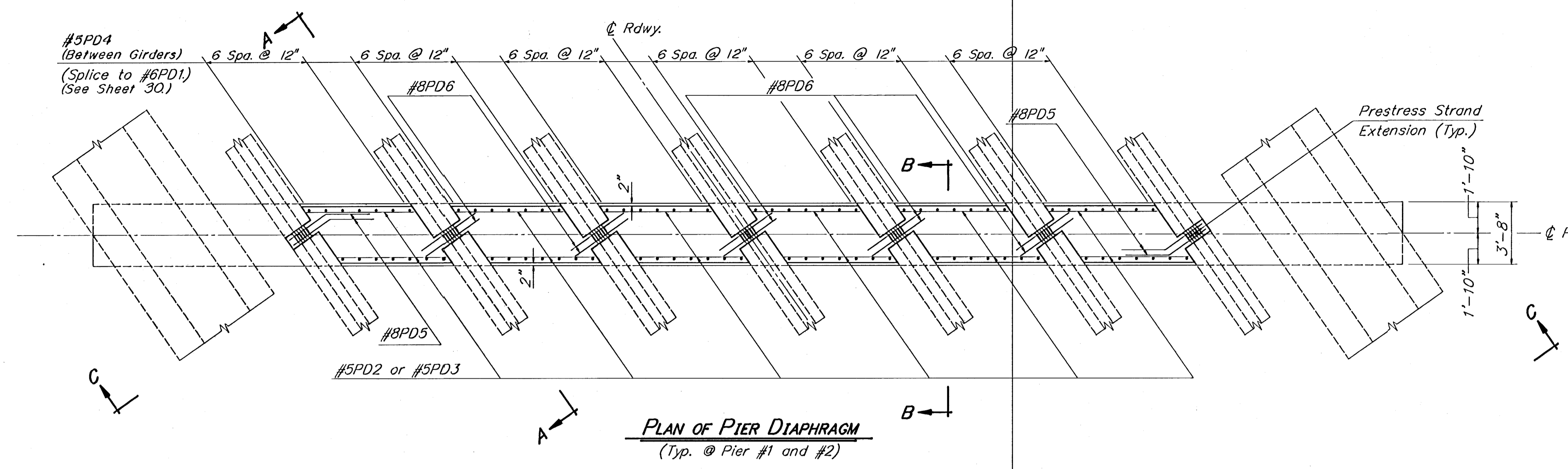


FHWA REGION NO.	STATE	PROJECT NO.	YEAR	SHEET NO.	TOTAL SHEETS
7	KANSAS	87U-1247-01	1992	32	79



⊗ Top face, N.S. and F.S. of Pier Cap (limits shown on the elevation view) shall be covered with an approved 2 part cement based acrylic polymer water seal that leaves no noticeable discoloration. The sealer shall be mixed and applied according to the manufacturer's recommendations. This work shall be subsidiary to the bid item "Concrete AAA (AE)."

* Verify Dimensions in Field.

⊙ Elevations are theoretical; adjust as required for minimum deck thickness and camber as noted on sheet 24.

See Sheet 24 for General Notes.
See Sheets 43 for Bar List and Bending Diagrams.

CITY OF WICHITA

GEORGE WASHINGTON BLVD. BRIDGE
OVER GYPSUM CREEK

PIER DIAPHRAGM DETAILS

CITY OF WICHITA PROJ. NO.: 472-82156

Booker ASSOCIATES INC.
Wichita OF KANSAS

SCALE _____ DATE *June, 1992* DWG. NO. *K9331*

SURV. PLOT CADD DES. A.H. DR. R.C. TR. CKD. R.G. APP. S.K.B.

1/9331BR/PD1A
SCALE 1"=4'(1/4")