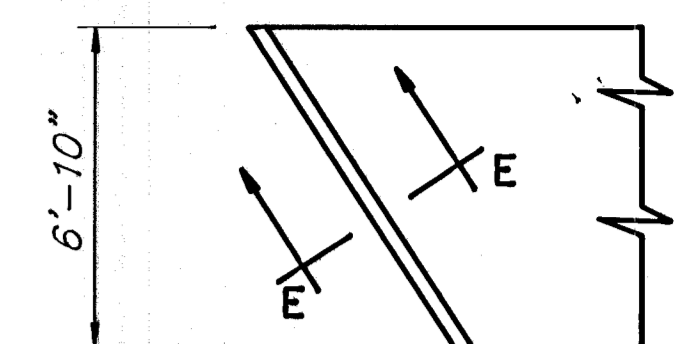
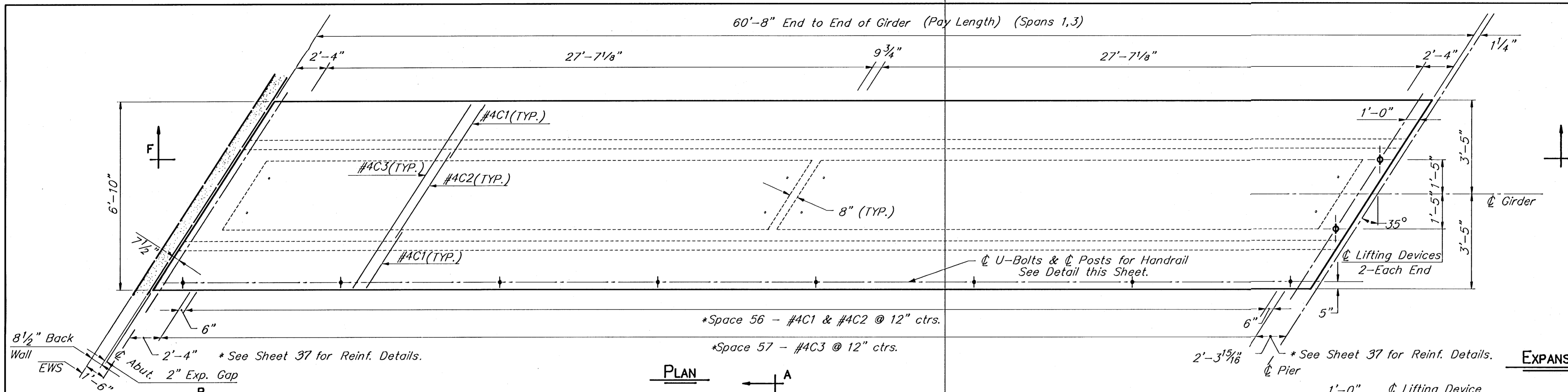
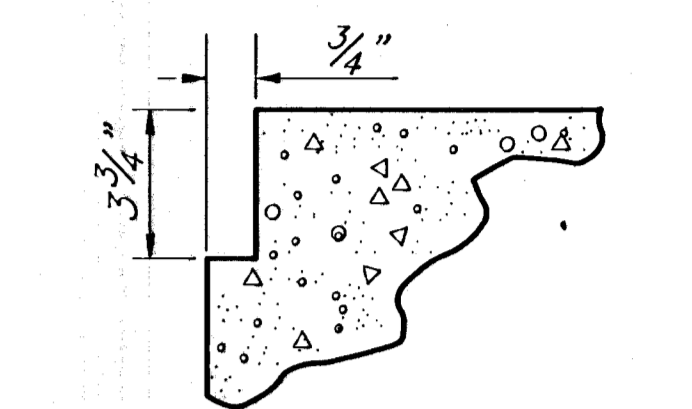


FHWA REGION NO.	STATE	PROJECT NO.	YEAR	SHEET NO.	TOTAL SHEETS
7	KANSAS	87U-1247-01	1992	35	79

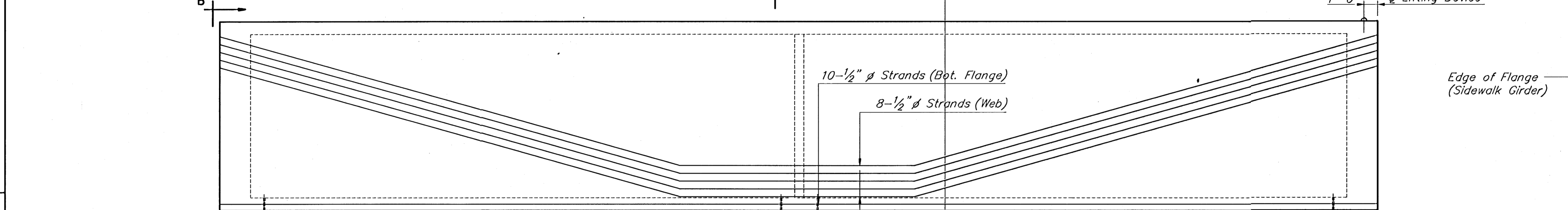


PLAN



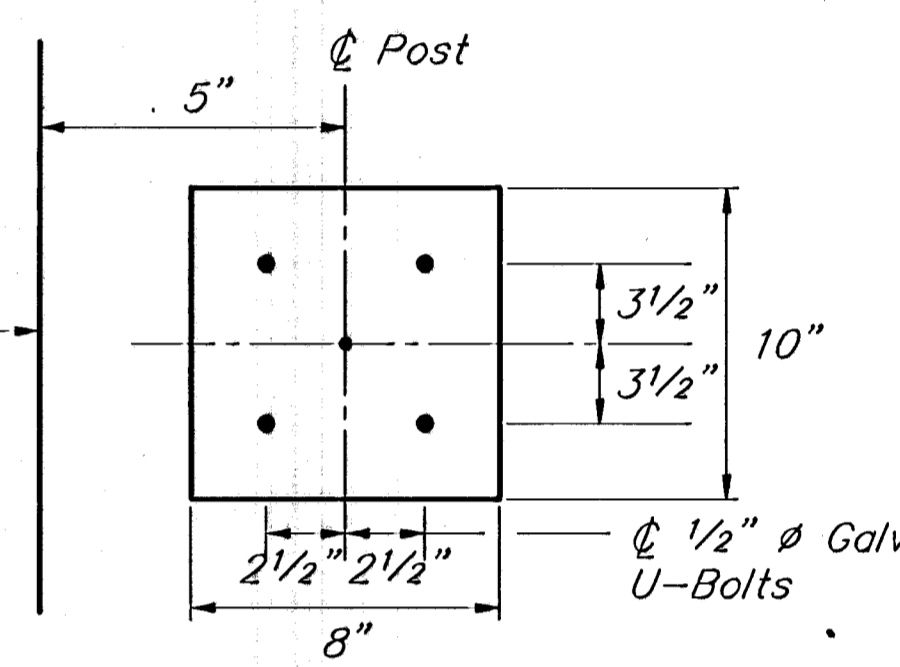
SECTION E-E

EXPANSION NOTCH (TYP. EA. END OF GIRDER)



ELEVATION F-F

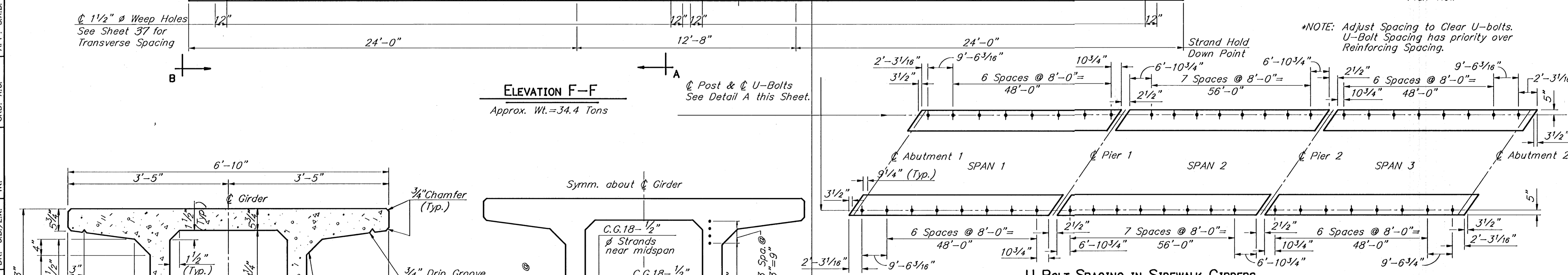
Approx. Wt. = 34.4 Tons



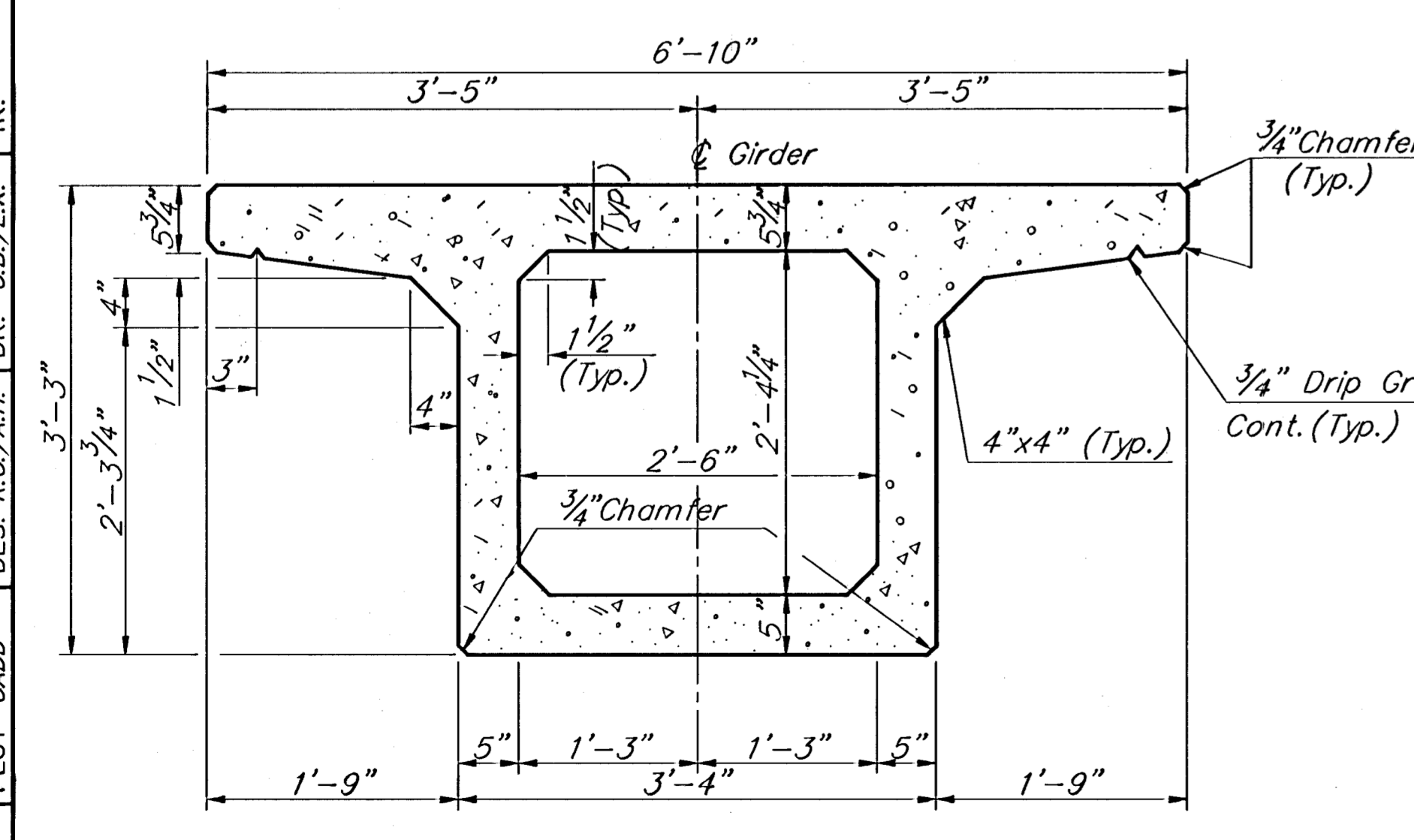
DETAIL A

Plan View

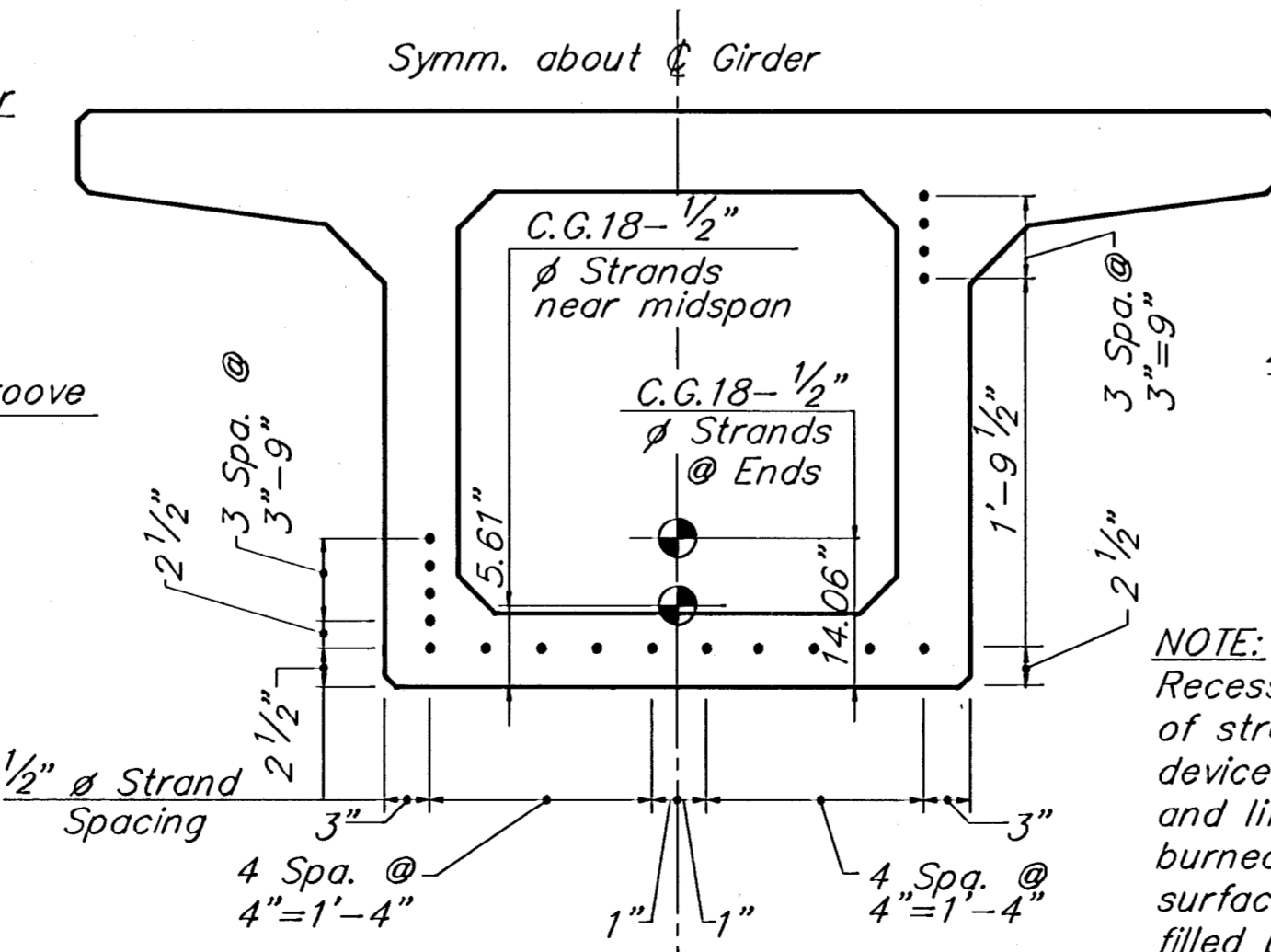
*NOTE: Adjust Spacing to Clear U-bolts. U-bolt Spacing has priority over Reinforcing Spacing.



U BOLT SPACING IN SIDEWALK GIRDERS



TYPICAL SECTION



HALF SECTION A-A NEAR MIDSPAN

HALF SECTION B-B AT ENDS

NOTE: Recess the bearing ends of strands and lifting devices so that the strands and lifting devices may be burned off 1/4" inside the surface; recesses shall be filled back flush with an approved adhesive grout.

SUMMARY OF QUANTITIES		
ITEM	UNIT	QUANTITY
Prestressed Concrete Beam (Box-T) (60'-8") (4 Req'd.)	Lin. Ft.	242.67
Following Approx. Quantities are for information Only (Total 4 Beams)		
Concrete in the Beams (f'c=5,000 p.s.i.)	C.Y.	68
Prestressing Steel A416-1/2" (Low Lax.)	Lin. Ft.	4,500
Reinforcing Steel (Gr. 60) (Epoxy Coated)	Lbs.	8,070
1/2" Galv. U-Bolts w/ nuts, washer	Ea.	64
1'-8"x0'-8"x1" Bearing Pad (Duro. 60)	Ea.	16

See Sheet 24 for Notes.
See Sheet 37 for Reinforcing Details.
See Sheet 34 for Girder Layout.
See Sheet 42 for U Bolt Detail.

CITY OF WICHITA
 GEORGE WASHINGTON BLVD. BRIDGE
 OVER GYPSUM CREEK
SIDEWALK GIRDER DETAILS I
 CITY OF WICHITA PROJ. NO.: 472-82156
Booker ASSOCIATES INC.
 OF KANSAS
 Wichita Kansas
 SCALE _____ DATE June, 1992 DWG. NO. K9.331

SURV. 193318P15W00021
 PLOT CADD DES. R.G./A.H. DR. G.B./E.K. TR. CKD. R.G. APP. S.K.B.