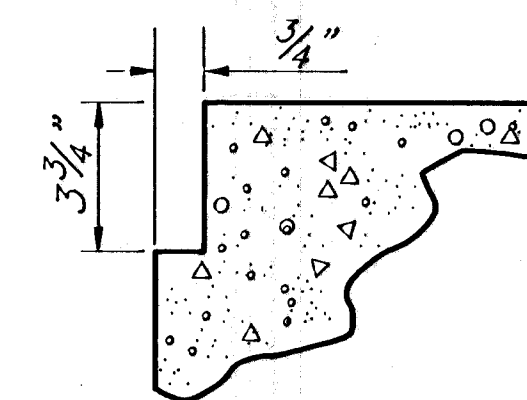
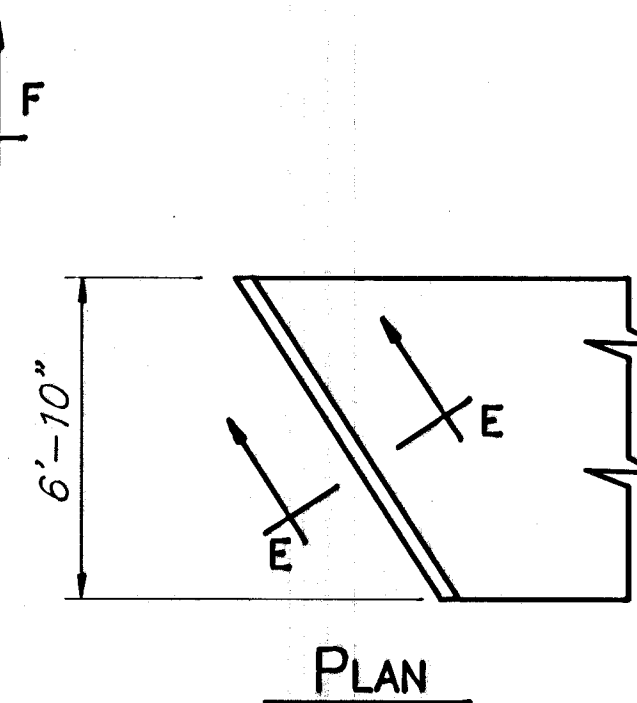
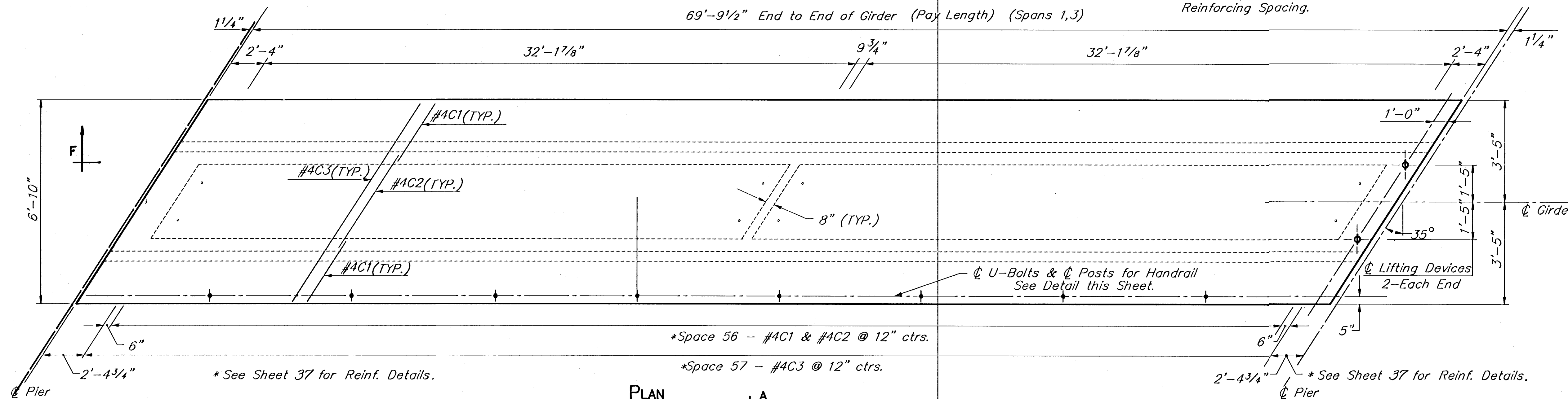
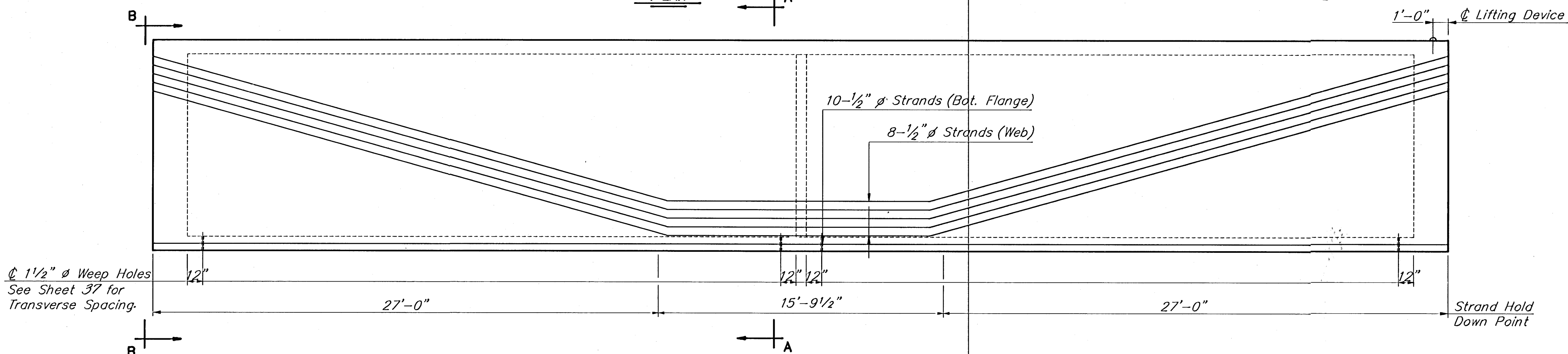


FHWA REGION NO.	STATE	PROJECT NO.	YEAR	SHEET NO.	TOTAL SHEETS
7	KANSAS	87U-1247-01	1992	36	79

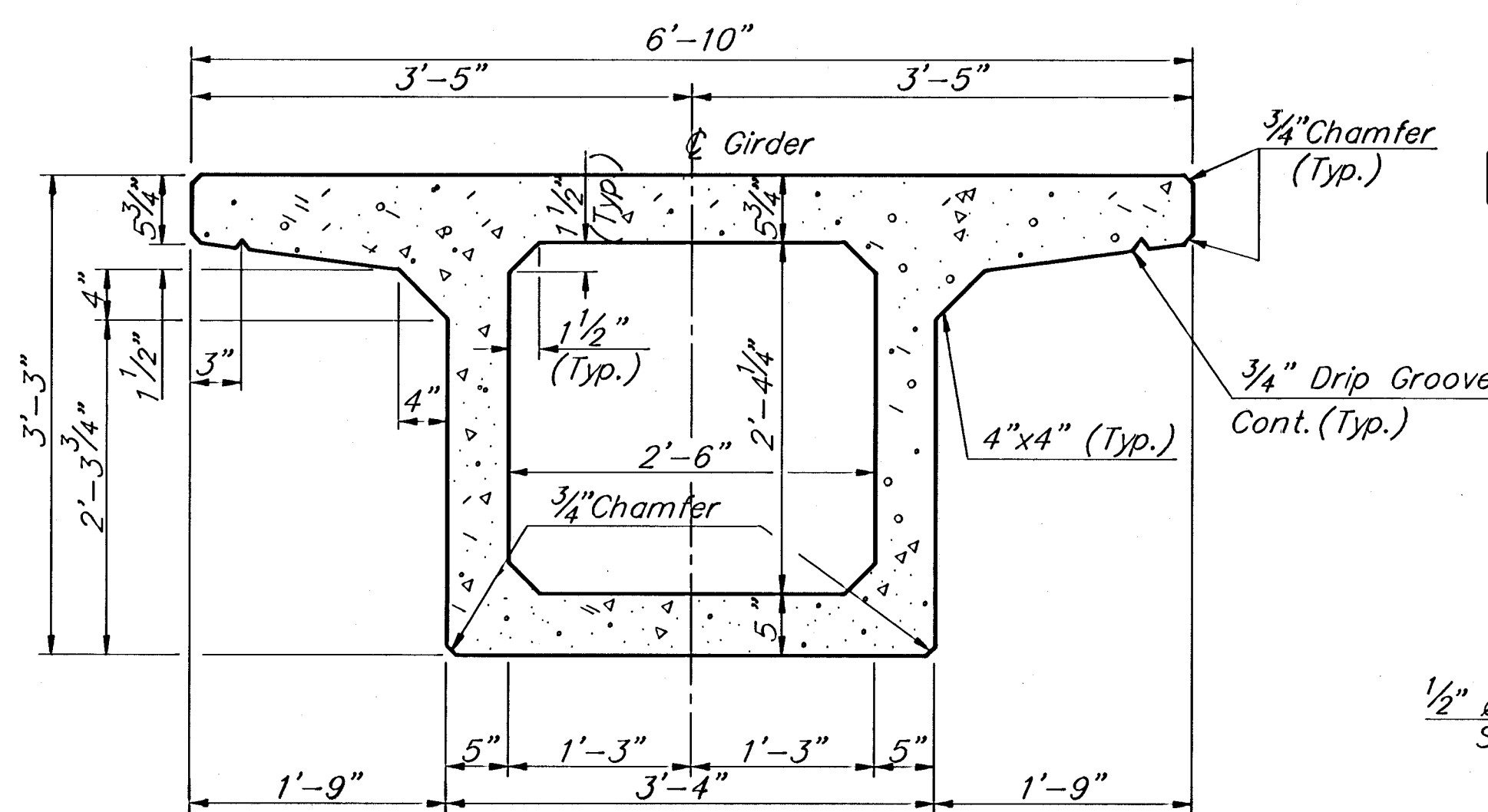
*NOTE: Adjust Spacing to Clear U-bolts.
U-Bolt Spacing has priority over
Reinforcing Spacing.



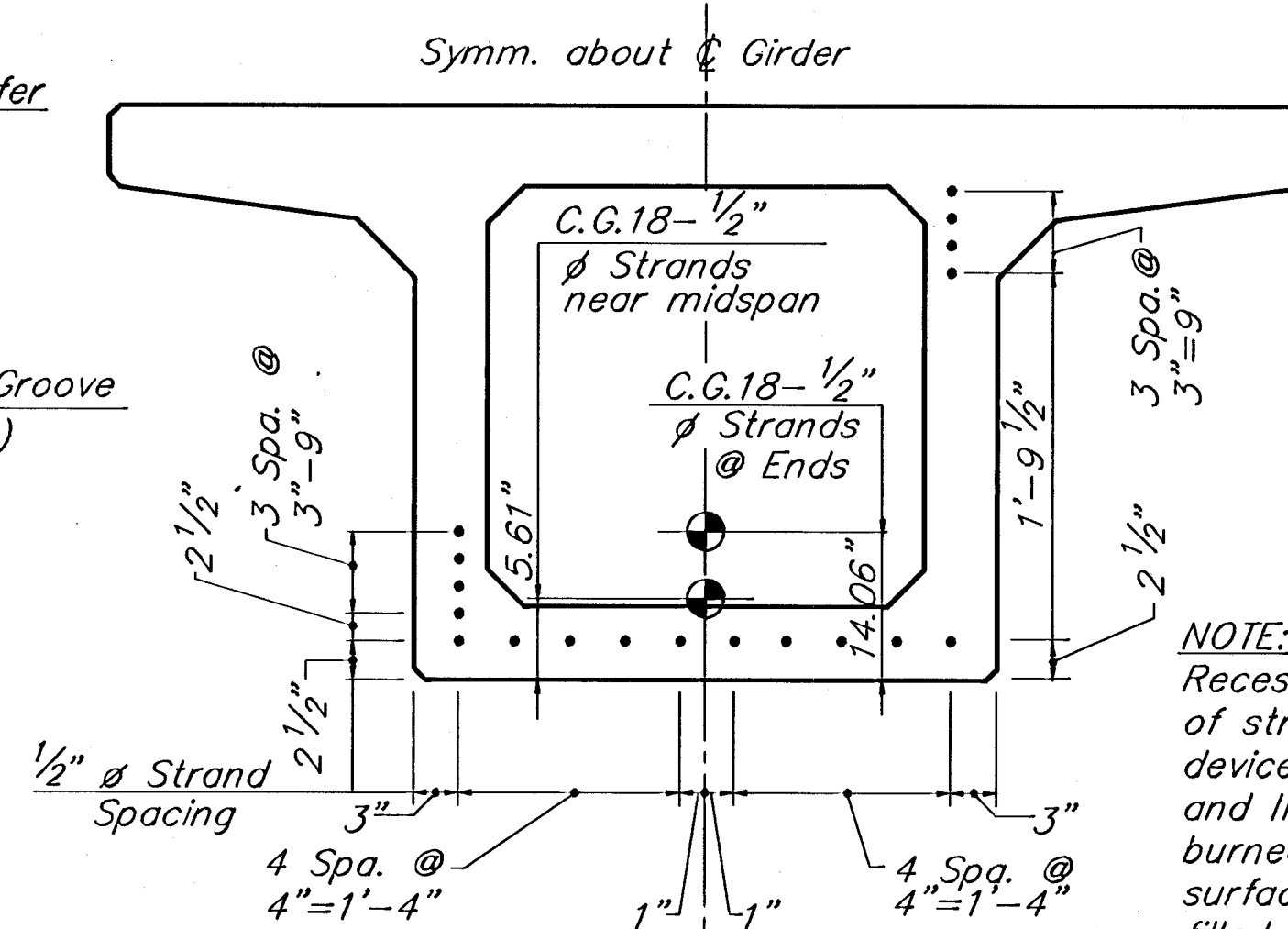
EXPANSION NOTCH (TYP. EA. END OF GIRDER)



ELEVATION "F-F"
Approx. Wt. = 39.2 Tons



TYPICAL SECTION



HALF SECTION A-A
NEAR MIDSPAN

HALF SECTION B-B
AT ENDS

NOTE:
Recess the bearing ends
of strands and lifting
devices so that the strands
and lifting devices may be
burned off 1/4" inside the
surface; recesses shall be
filled back flush with an
approved adhesive grout.

SUMMARY OF QUANTITIES

ITEM	UNIT	QUANTITY
Prestressed Concrete Beam (Box-T) (69'-9 1/2") (2 Req'd.)	Lin. Ft.	139.58
Following Approx. Quantities are for information Only (Total 2 Beams)		
Concrete in the Beams (f'c=5,000 p.s.i.)	C.Y.	39
Prestressing Steel A416-1/2" (Low Lax)	Lin. Ft.	2,550
Reinforcing Steel (Gr. 60) (Epoxy Coated)	Lbs.	4,480
1/2" Galv. U-Bolts w/ nuts, washer	Ea.	32
1'-8"x0'-8"x1" Bearing Pad (Duro. 60)	Ea.	8

See Sheet 24 for Notes.
See Sheet 37 for Reinforcing Details.
See Sheet 34 for Girder Layout.
See Sheet 42 for U Bolt Detail.

CITY OF WICHITA
GEORGE WASHINGTON BLVD. BRIDGE
OVER GYPSUM CREEK
SIDEWALK GIRDER DETAILS II
CITY OF WICHITA PROJ. NO.: 472-82156
Booker ASSOCIATES INC.
OF KANSAS
Wichita Kansas
SCALE _____ DATE June, 1992 DWG. NO. K9331

SURV. PLOT CADD DES. R.G./A.H. DR. G.B./E.K. TR. CKD. R.G. APP. S.K.B.

W9331B1/SWKDET2