

NOTE:
There shall be 4 strands extended 3'-3" from the bottom ends of beams at abutments, and 6 strands extended 3'-3" from the bottom ends of beams at all piers. Two additional strands shall be extended from the top of all the beams at both ends. See Girder sections for strand to extension location. They shall produce no lateral eccentricity. Strands not extended shall be cut flush.

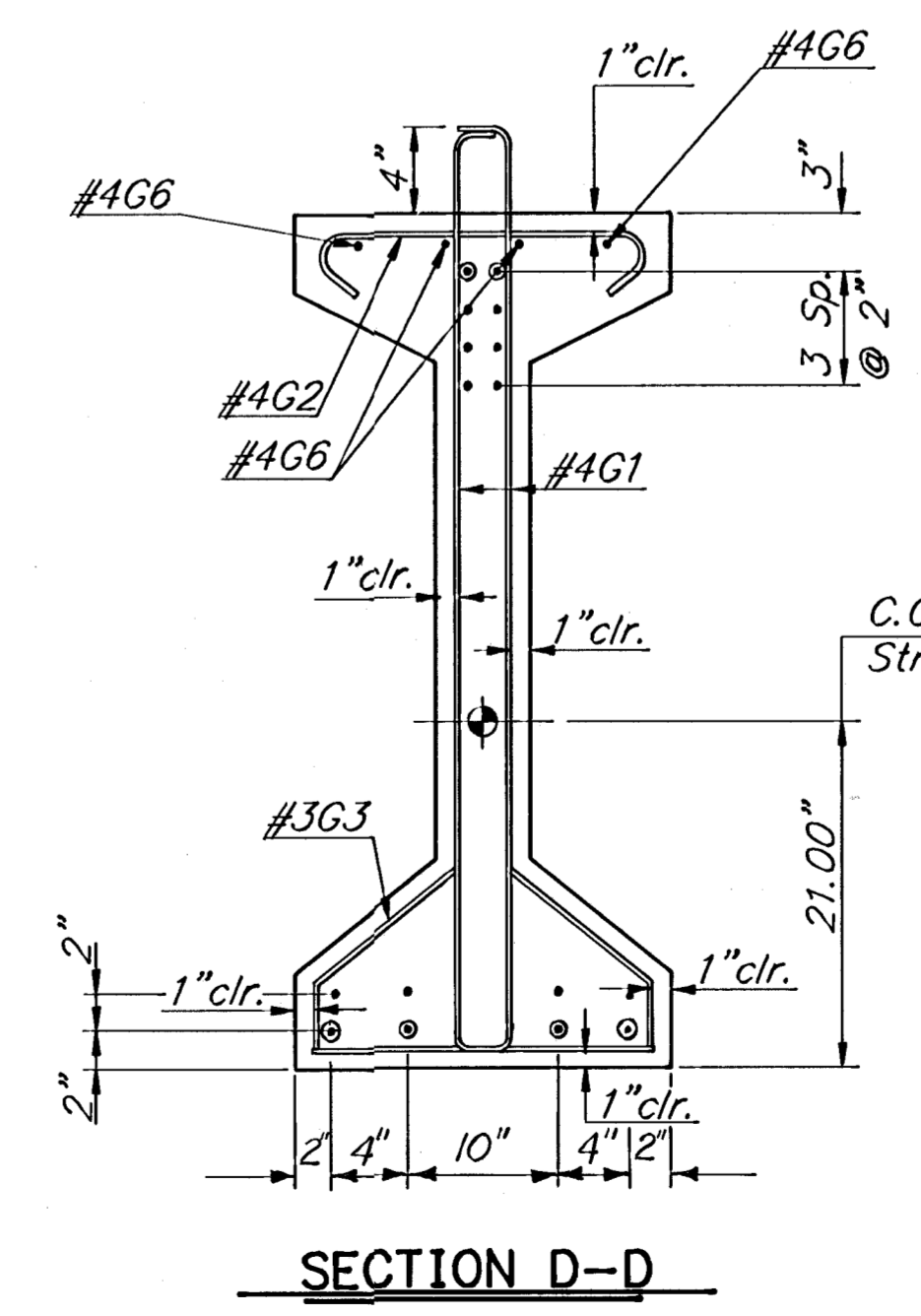
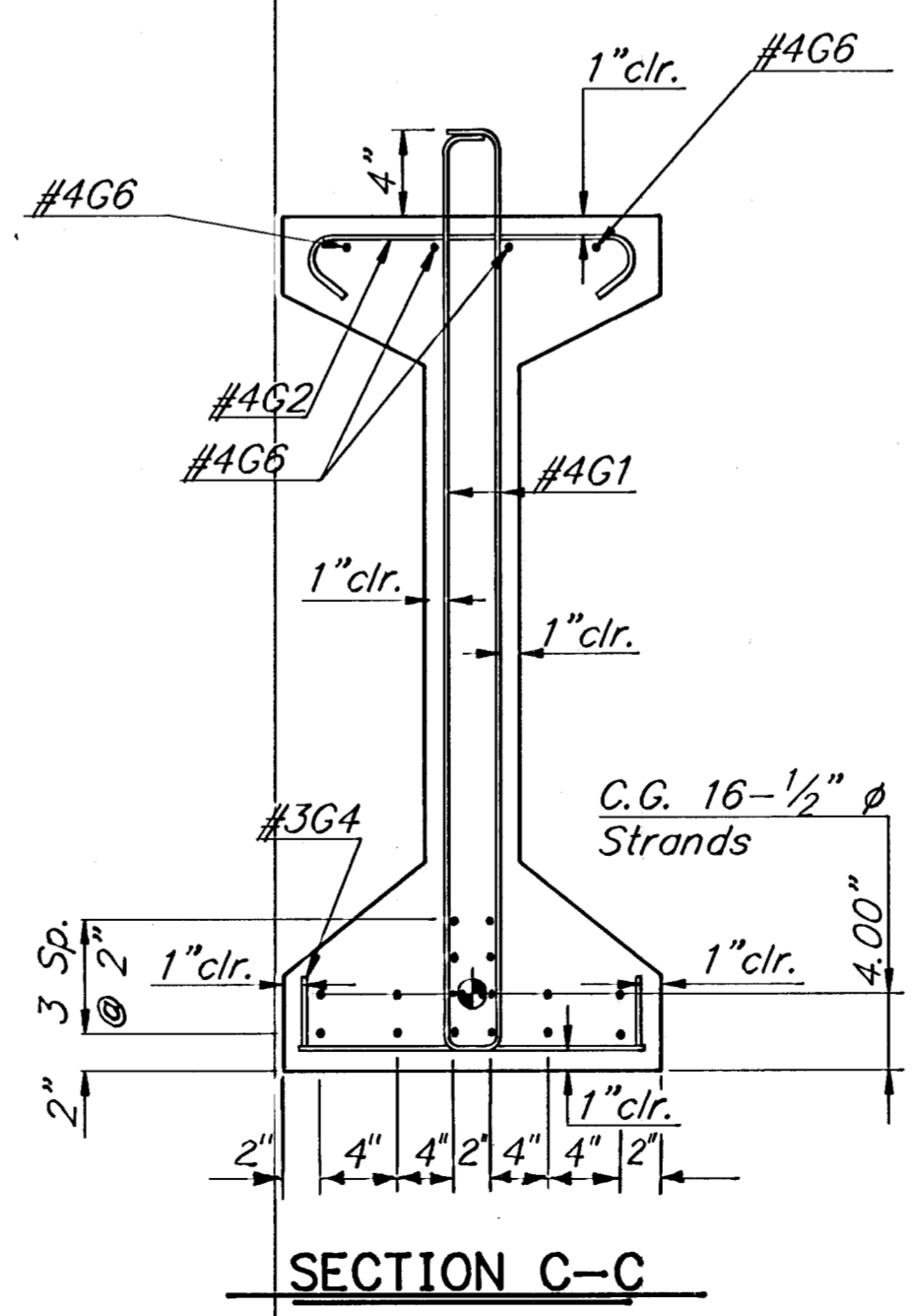
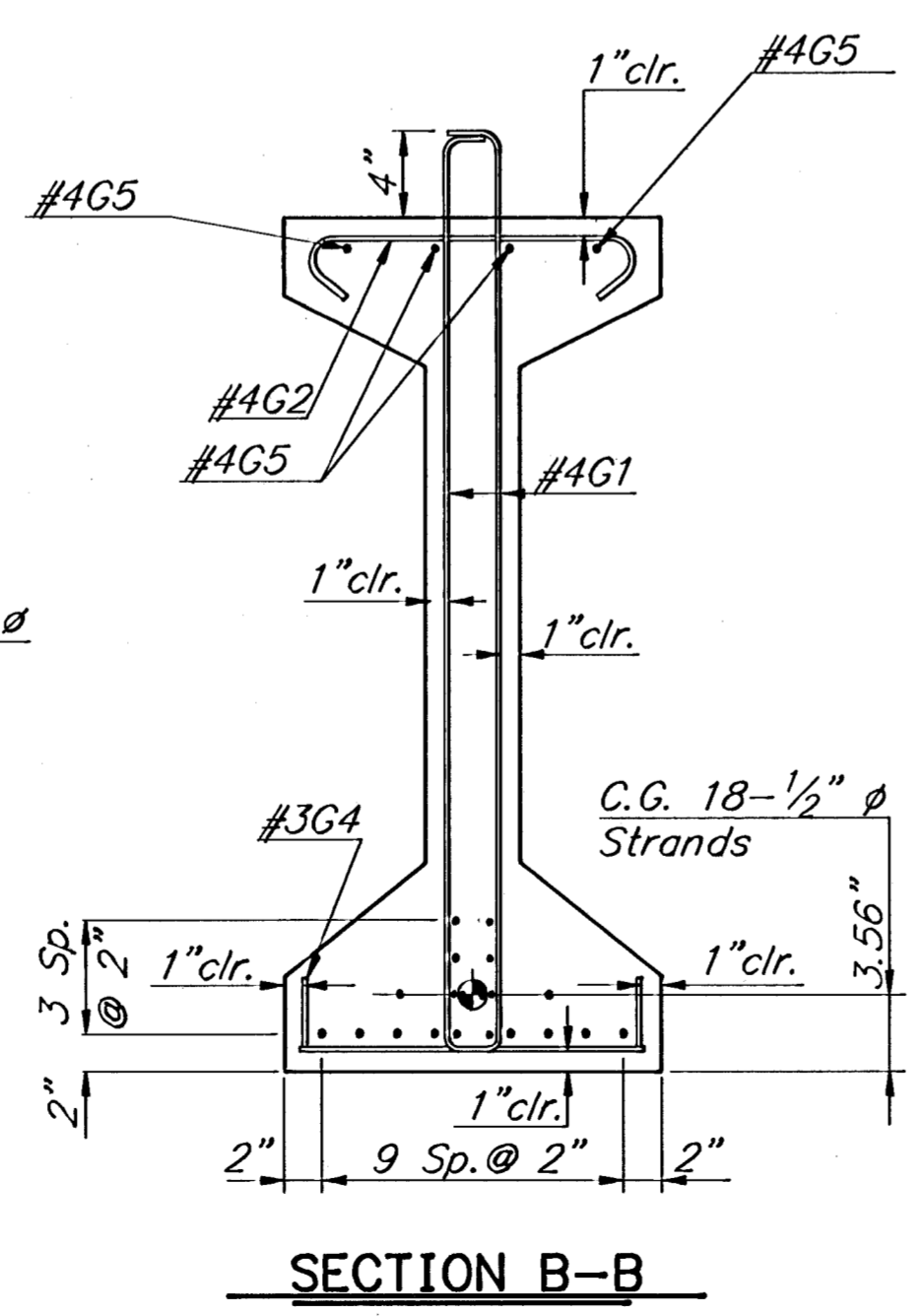
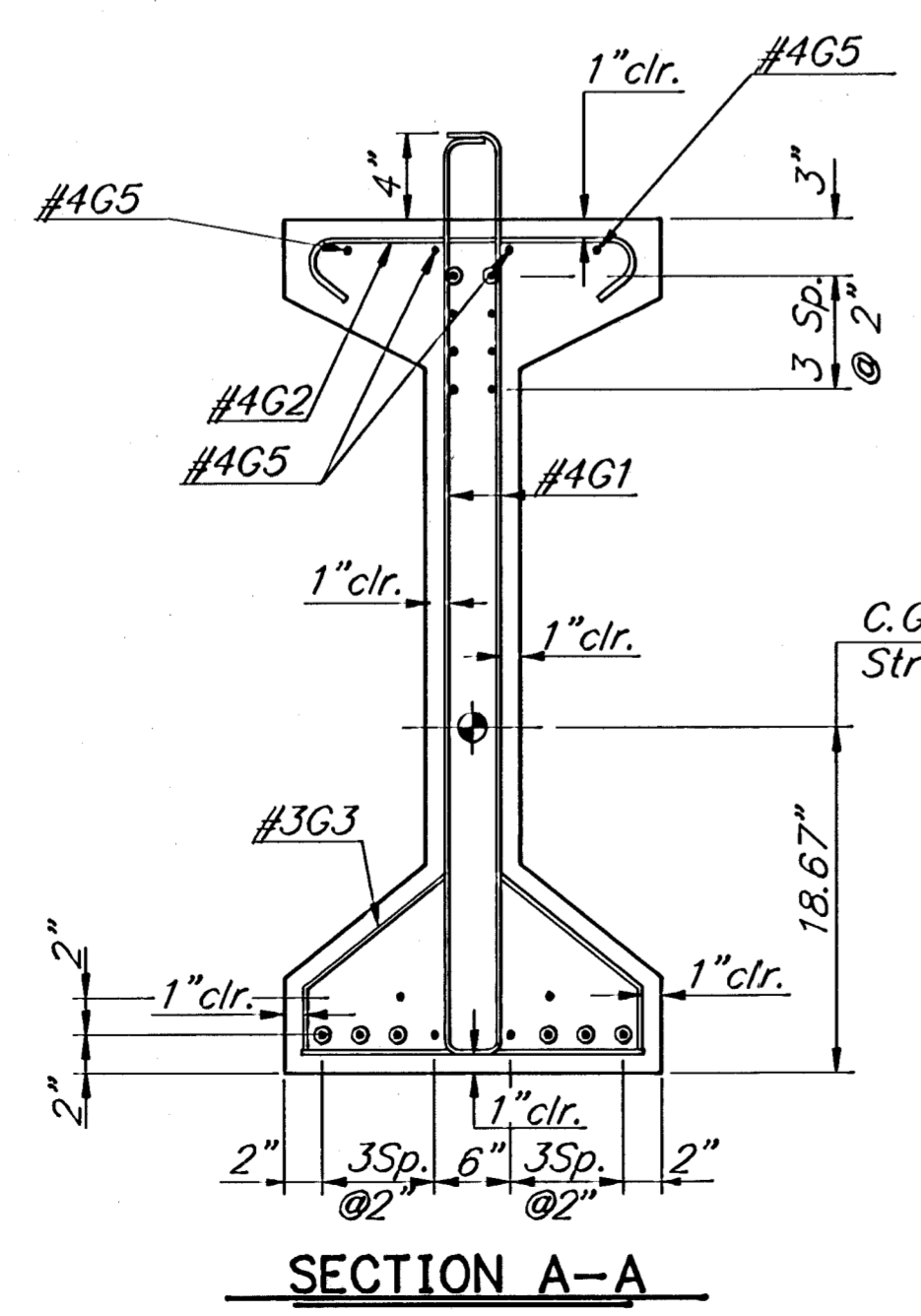
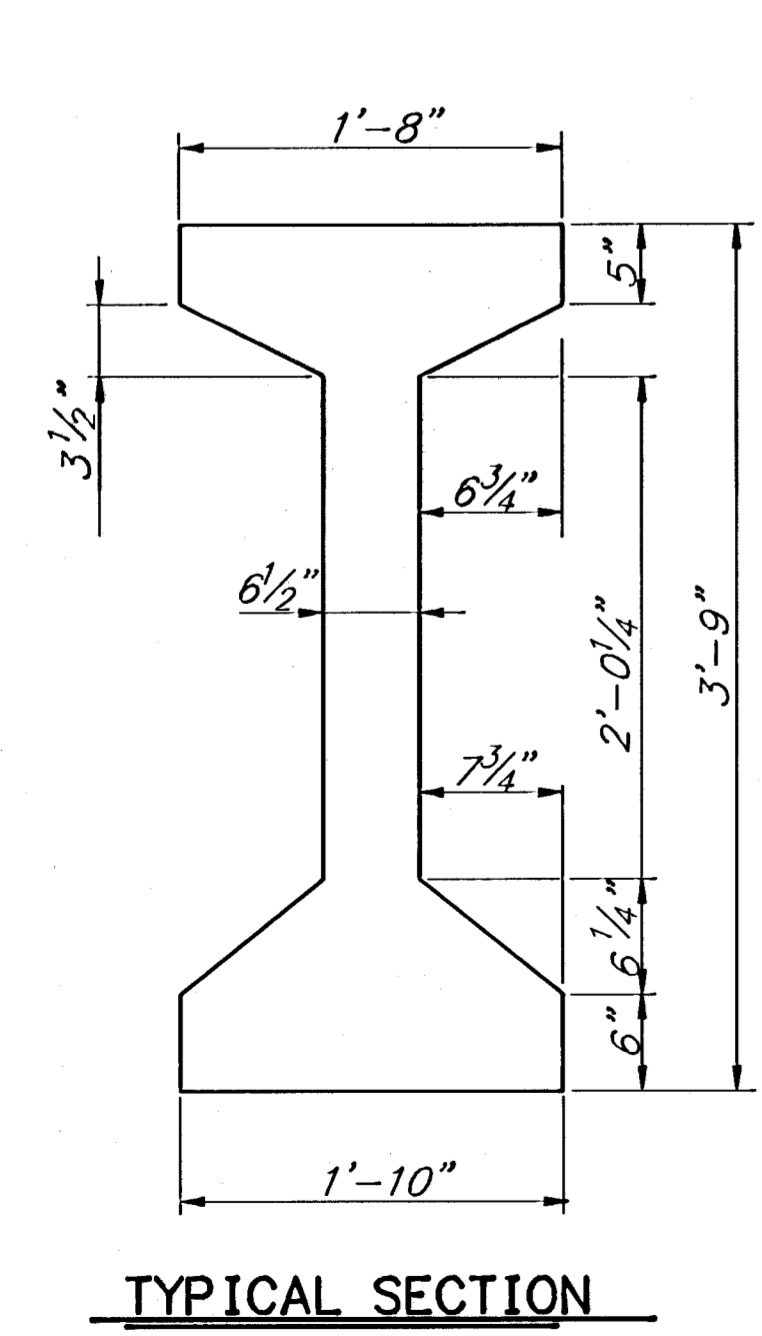
BILL OF REINFORCING STEEL (FOR INFO. ONLY)

MARK NO.	60'-0" Girder (1 Listed-14 Req'd.)					69'-2" GIRDER (1 Listed-7 Req'd.)				
	G1 ▲	G2 †	G3 †	G4 †	G6	G1 ▲	G2 †	G3 †	G4 †	G5
SIZE	4	4	3	3	4	4	4	3	3	4
LENGTH	5'-5"	2'-1"	6'-1"	2'-4"	30'-9"	5'-5"	2'-1"	6'-1"	2'-4"	35'-4"

Reinforcing shall be grade 60, unless marked † =Grade 40
▲ Epoxy coated
(Note: G5 and G6 bars shall have 1'-6" min. lap.)

SUMMARY OF QUANTITIES

ITEM	UNIT	TOTAL
Prestressed Concrete Beam (K3)(60'-0") (14 each)	Lin Ft.	840.00
Prestressed Concrete Beams (K3) (69'-2") (7 each)	Lin Ft.	484.17
Following Approximate Quantities are for information only. (Total 21 Beams)		
Concrete in beams (FC=5,000 P.S.I.)	Cu. Yds.	178.8
Prestressing steel A416 1/2" Ø (Low Relaxation)	Lin. Ft.	23,300
Reinforcing steel (Gr. 60)	Lbs.	17,710
Reinforcing steel (Gr. 40)	Lbs.	5,620
Bearing Pads 10" x 3/4" x 1'-10" (DURO 60)	Each	28
Bearing Pads 8" x 3/4" x 1'-10" (DURO 60)	Each	14



CAUTION: See Sheet 31 and sheet 34 for proper orientation of skew for the formed holes.

Girder weights shown are based on 150 #/Cu.Ft. (Approximate).

See Sheet 34 for Framing Plan.
See Sheet 34 for Bearing Pad Details.
See Sheet 24 for Notes.

CITY OF WICHITA
GEORGE WASHINGTON BLVD. BRIDGE OVER GYPSUM CREEK
K3 GIRDER DETAIL
CITY OF WICHITA PROJ. NO.: 472-82156
Booker ASSOCIATES INC. OF KANSAS
Wichita Kansas
SCALE: _____ DATE: June, 1992 DWG. NO.: K9331

SURY. — PLOT CADDD DES. RG./A.H. DR. G.B. TR. — CKD. R.G. APP. S.K.B.

19331BP GIRDER1
SCALE 1"=10"

Note: ● — Strands to be extended at ends