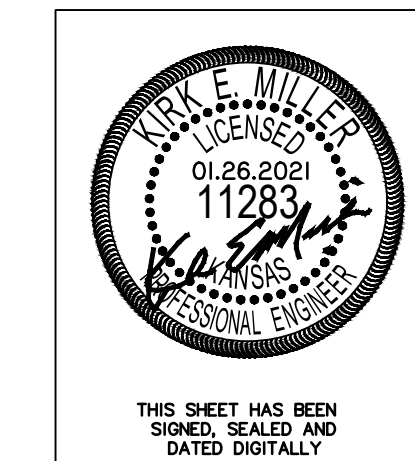
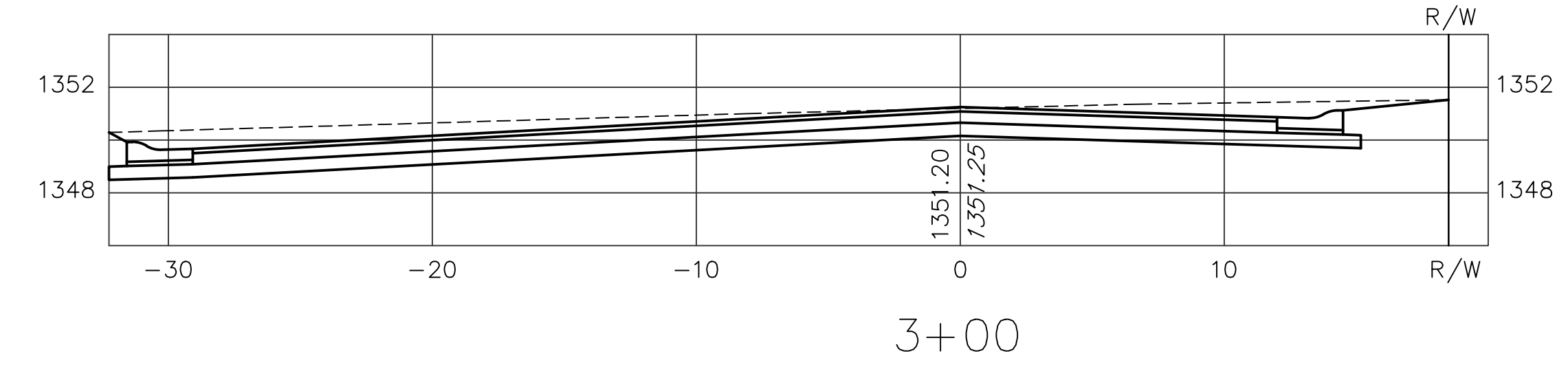
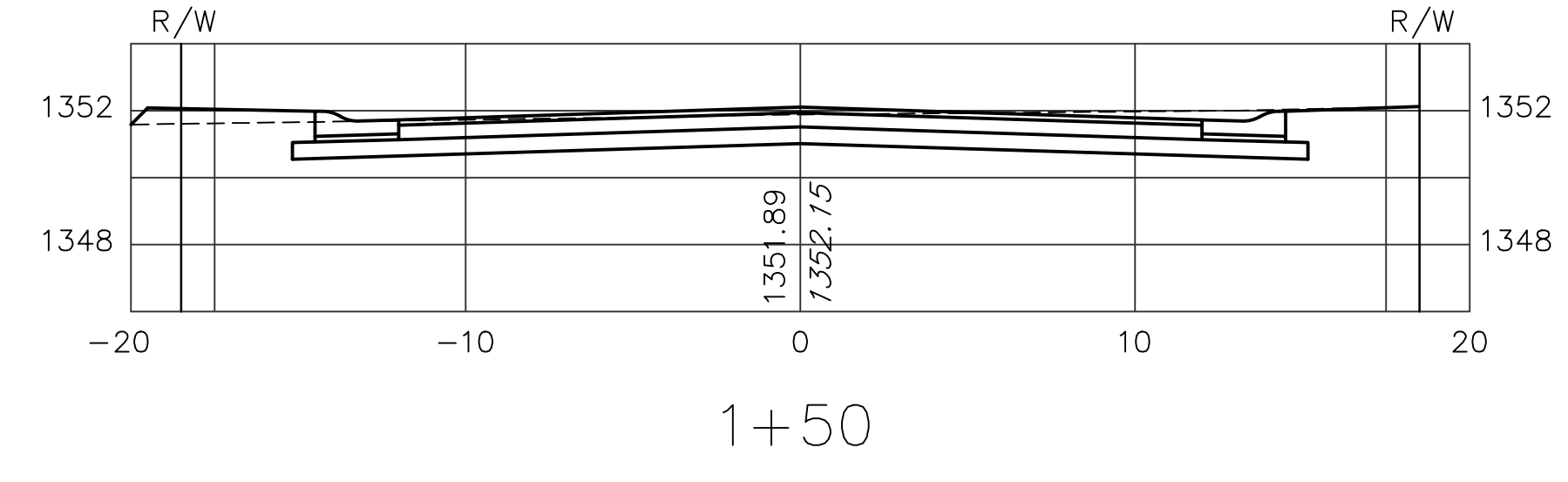
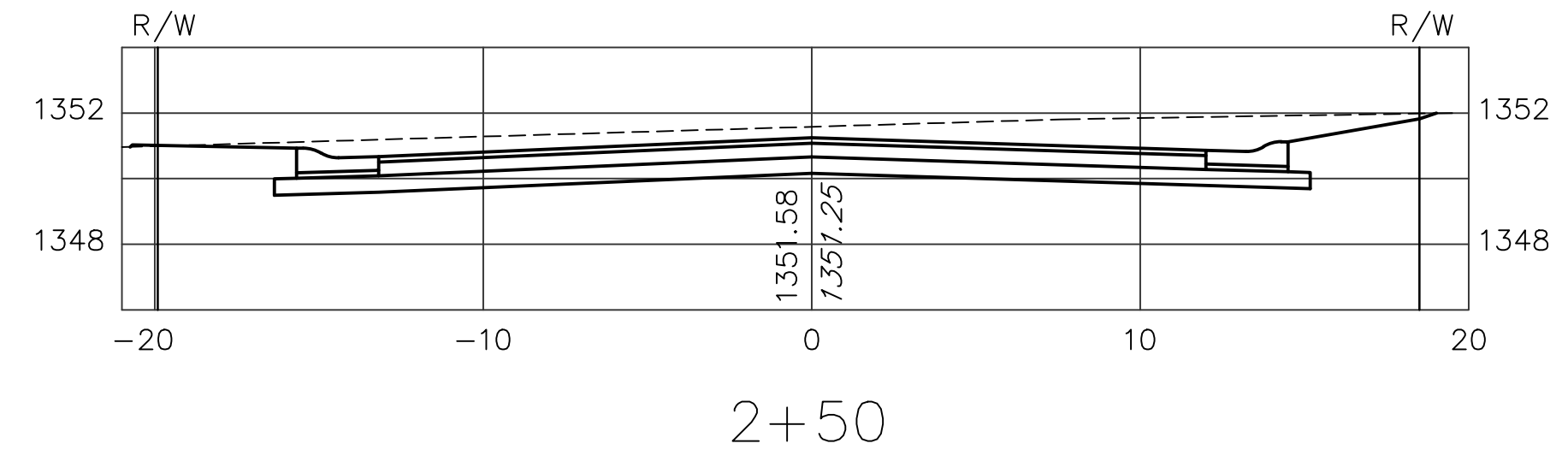
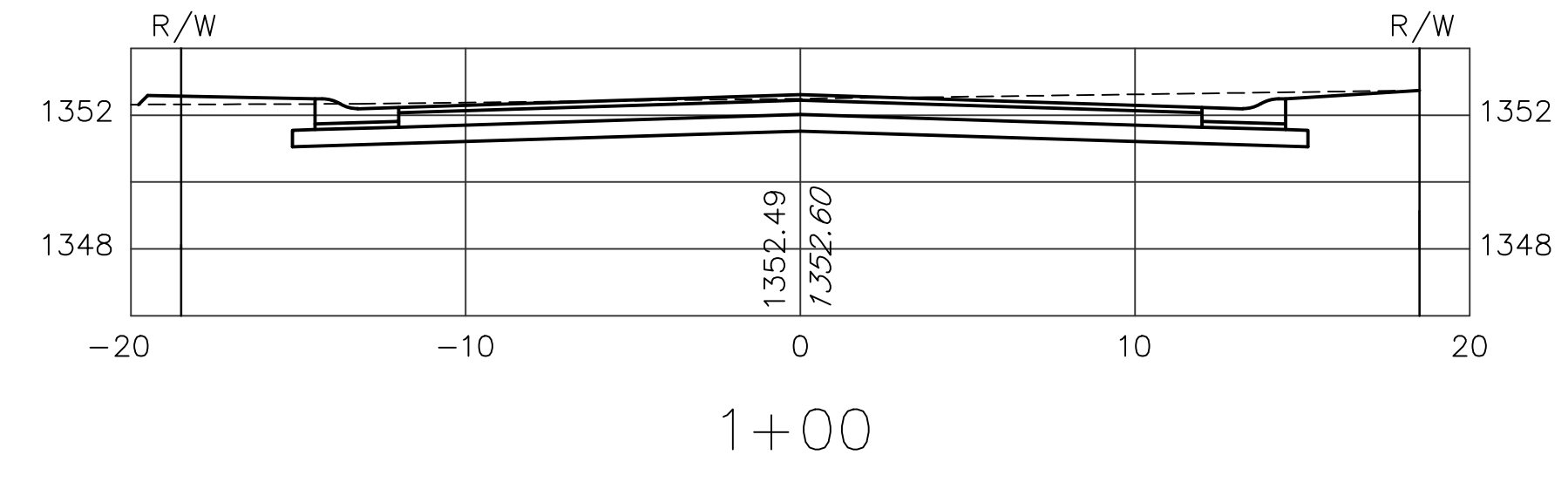
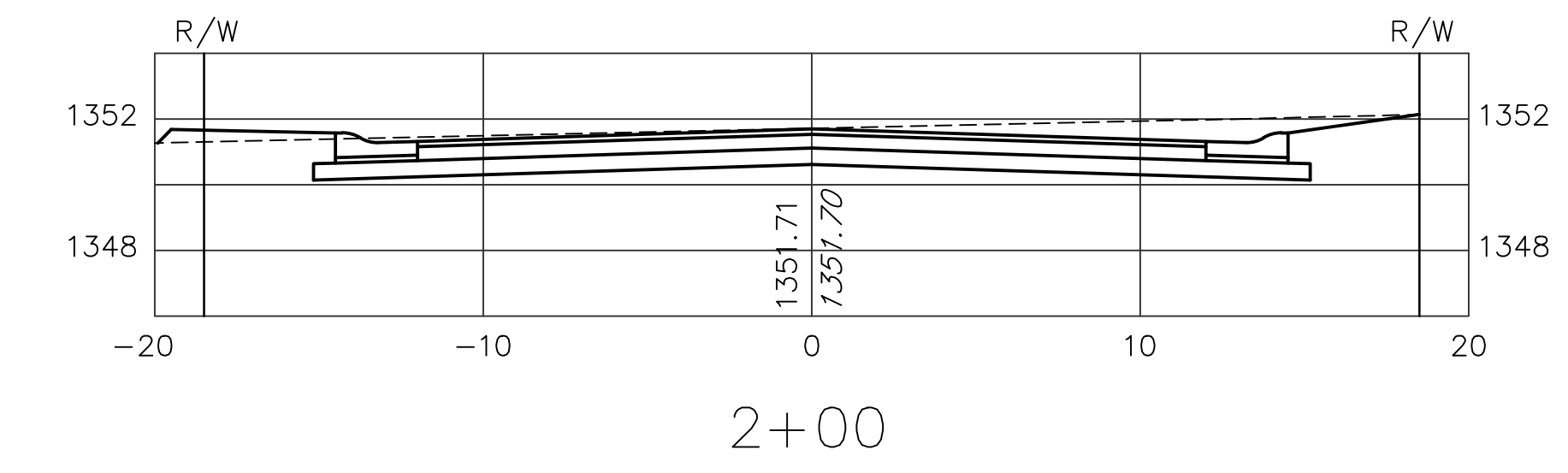
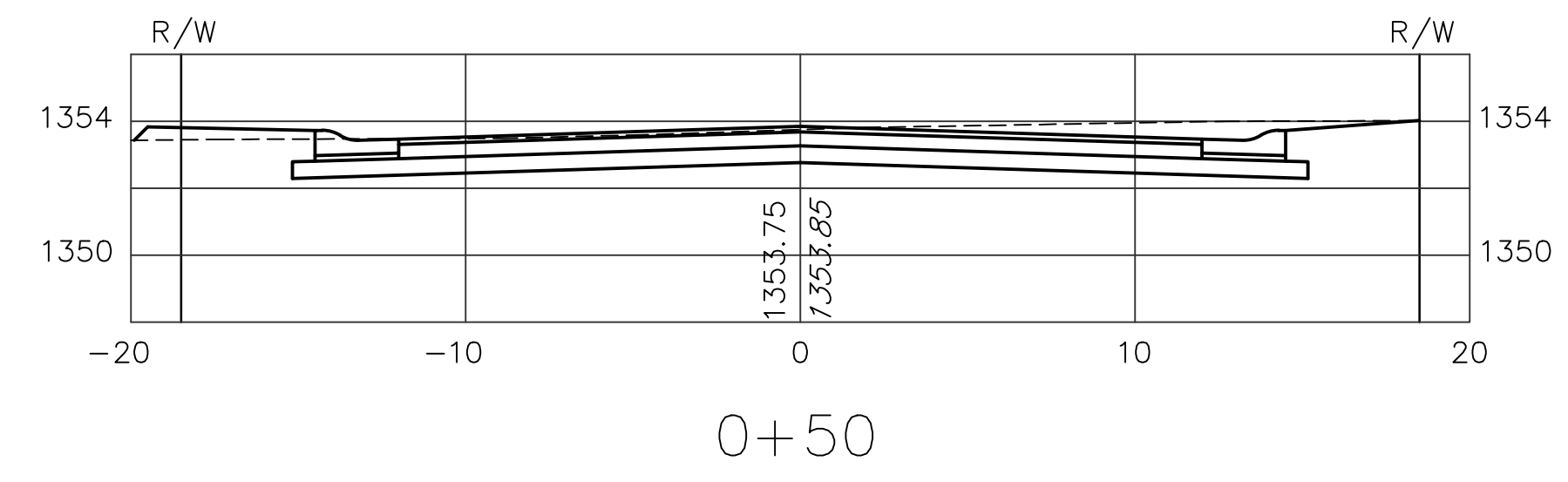


Jackson Heights Court



Marinita 2nd Addition Cross Sections Wichita, Kansas			
PROJECT NUMBER			
<b>KEMILLER</b> ENGINEERING PA 117 E. Lewis, Wichita, KS 67202 (316)264-0242	KEM. NO. 2002.3	FILE PAVING	DATE 08/2020
	DESIGN KM	DRAWN ZS	REVISED 01/26/2021
			SHEET <b>5.0</b>