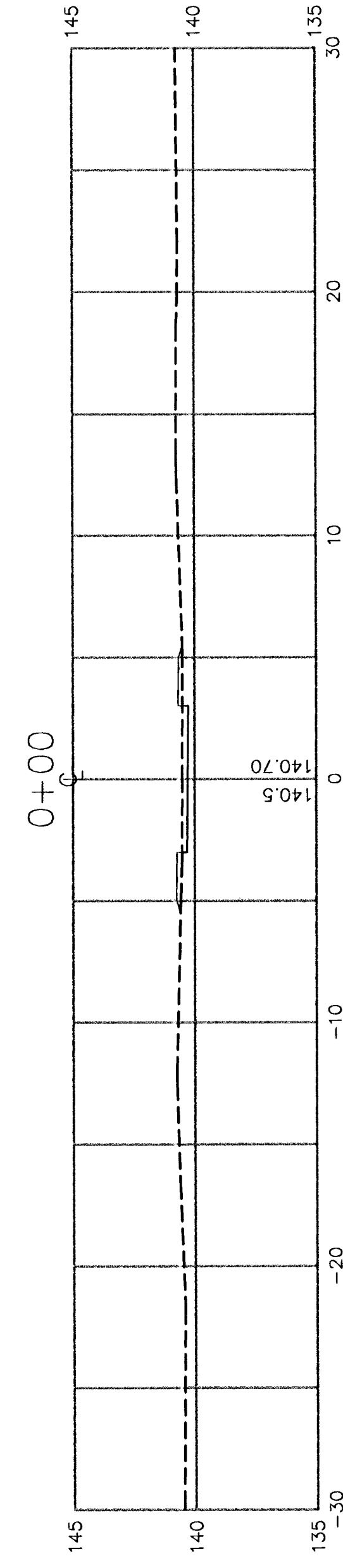
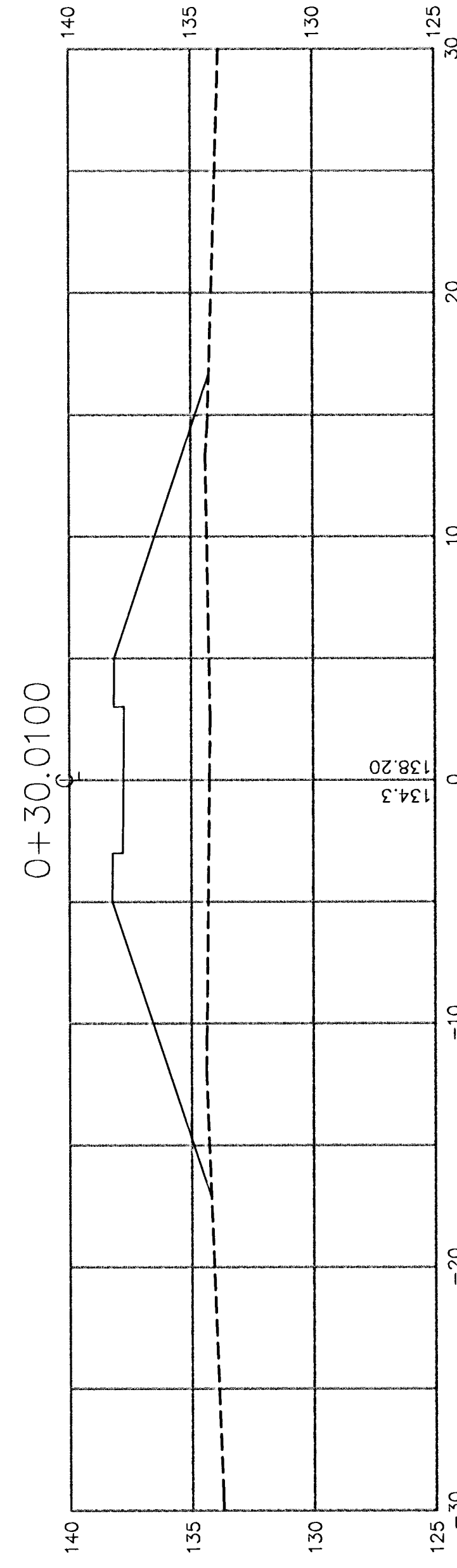
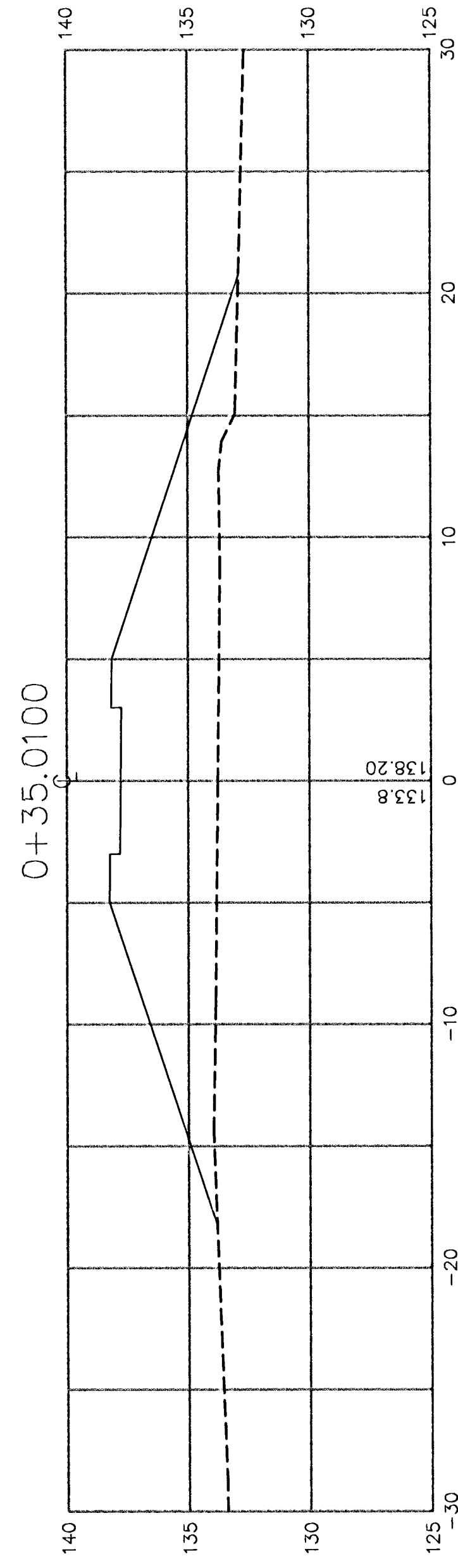
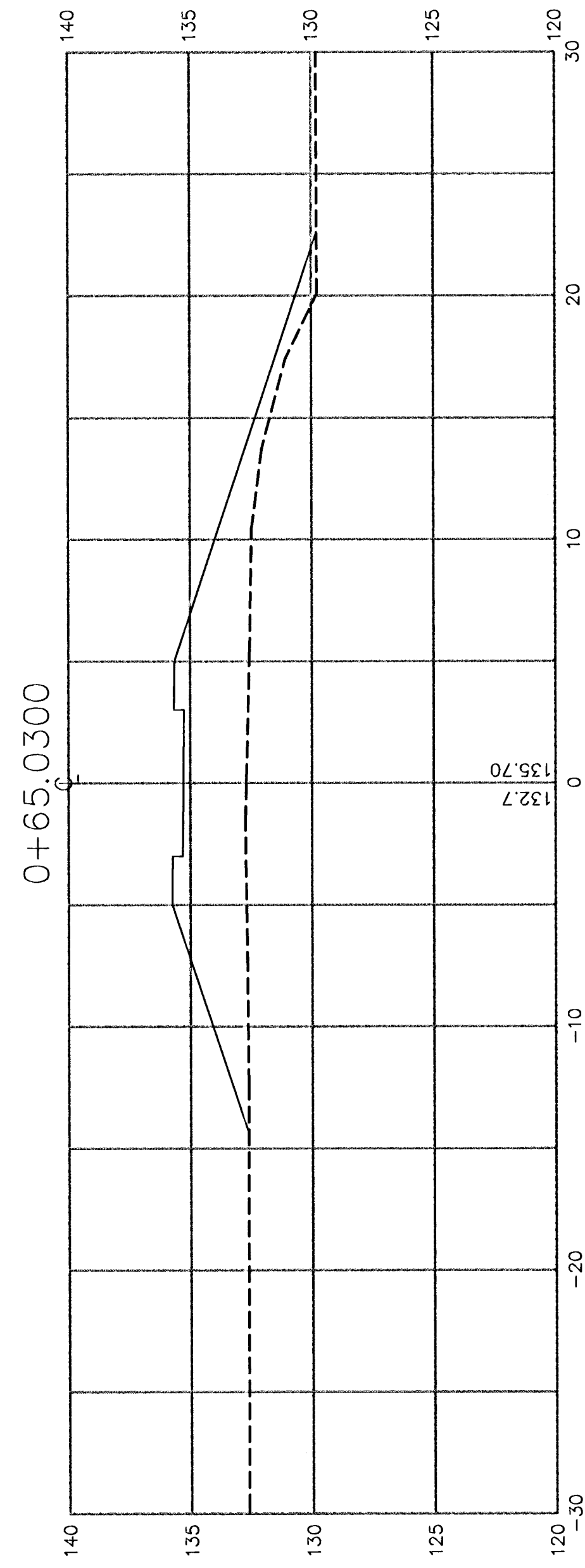
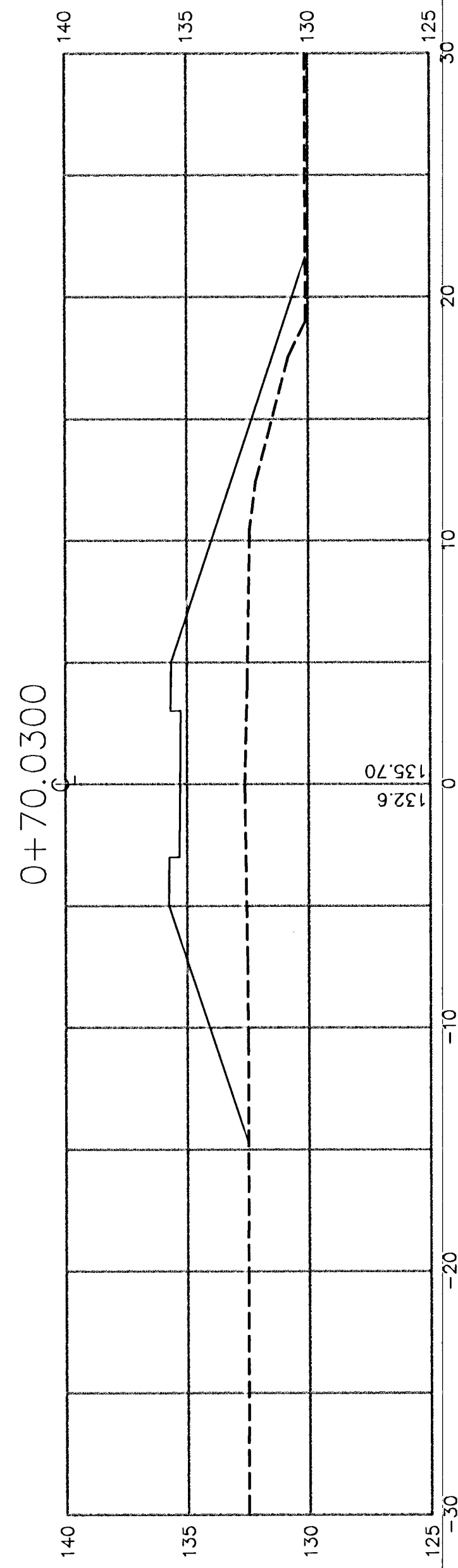
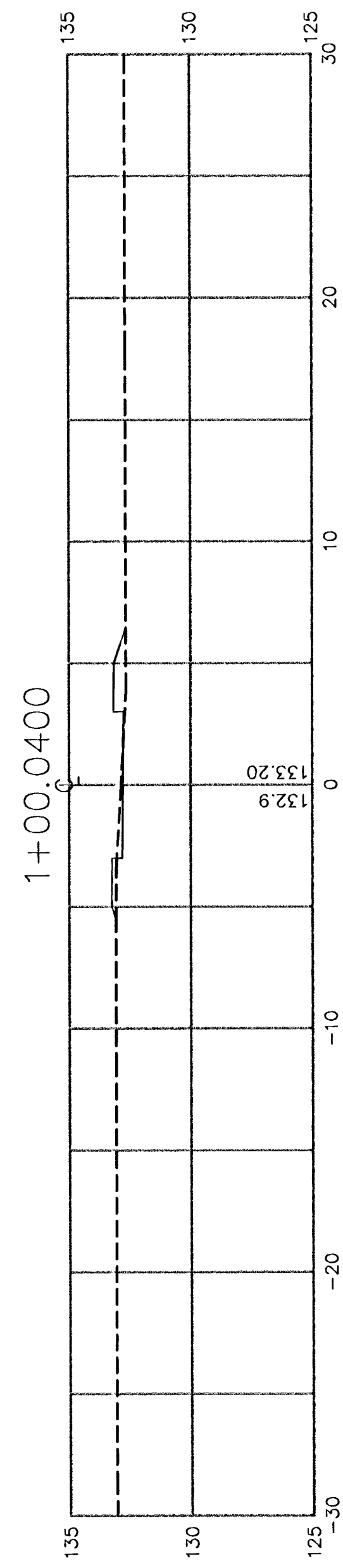
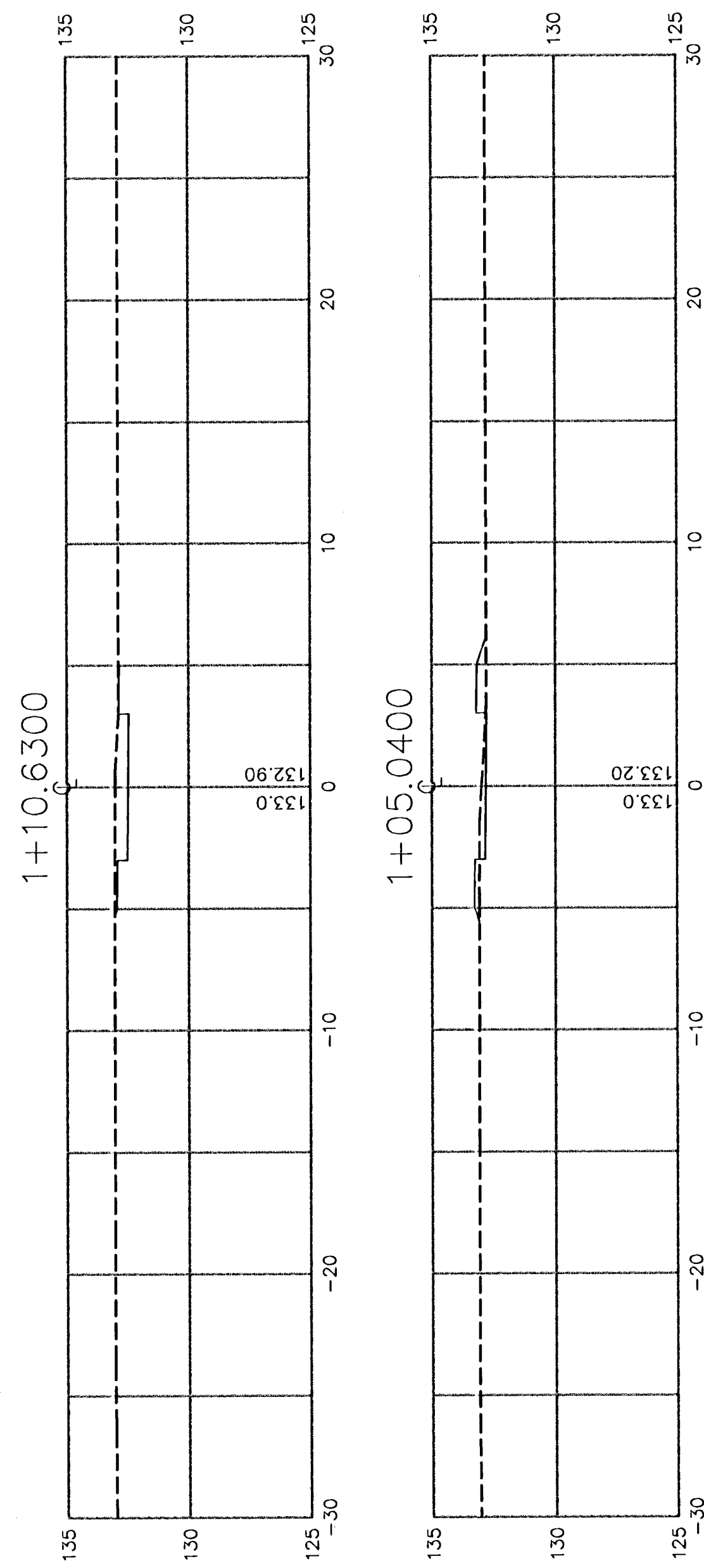


STATION	AREAS Square Feet		VOLUMES Cubic Yards		CUMULATIVE VOLUMES Cubic Yards	
	CUT	FILL	CUT	FILL	CUT	FILL
0+00	1.3356	0.8085	0.7422	45.9373	0.7422	45.9373
0+30.0100	0.0000	81.8512	0.0000	171.1570	0.7422	63.0944
0+35.0100	0.0000	103.4447	0.0000	92.2289	0.7422	155.3233
0+65.0300	0.0000	62.4567	0.0000	11.8785	0.7422	167.2018
0+70.0300	0.0000	65.8309	0.3067	37.5692	1.0490	204.7710
1+00.0400	0.9520	1.7711	0.1417	0.2959	1.1907	205.0668
1+05.0400	0.9784	1.4243	0.4471	0.1474	1.6378	205.2143
1+10.6300	3.3406	0.0000	0.0000	0.0000	1.6378	205.2143



CONSTRUCTION OR REPLACEMENT OF SIDEWALK &
WHEELCHAIR RAMP AT SWANSON PARK & VICINITY.
INDEX NO. 785352