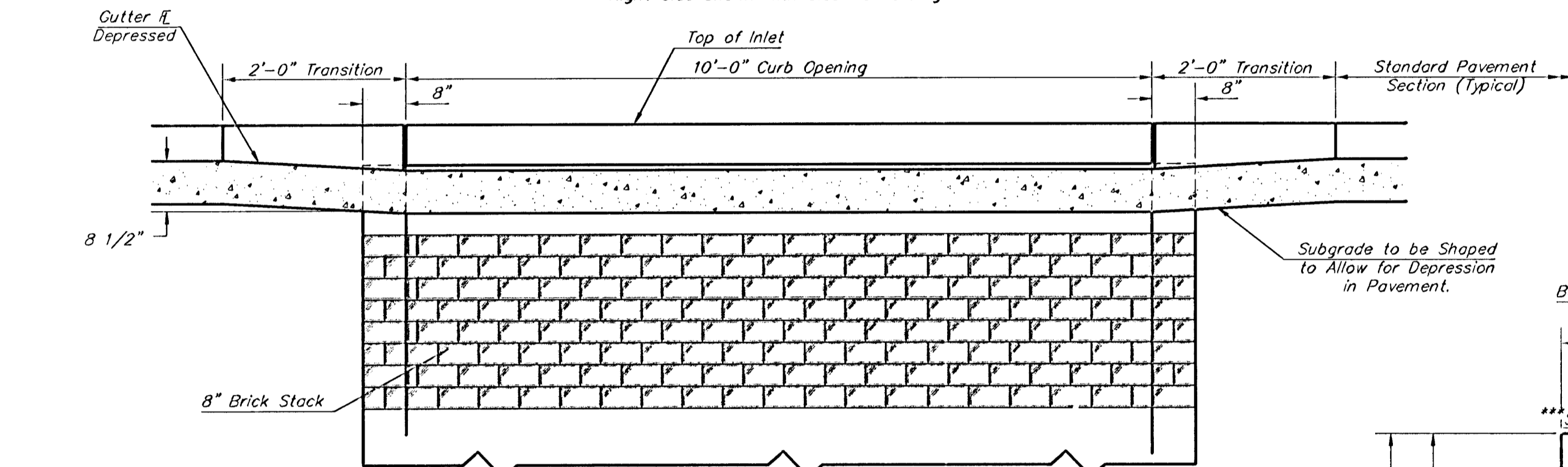
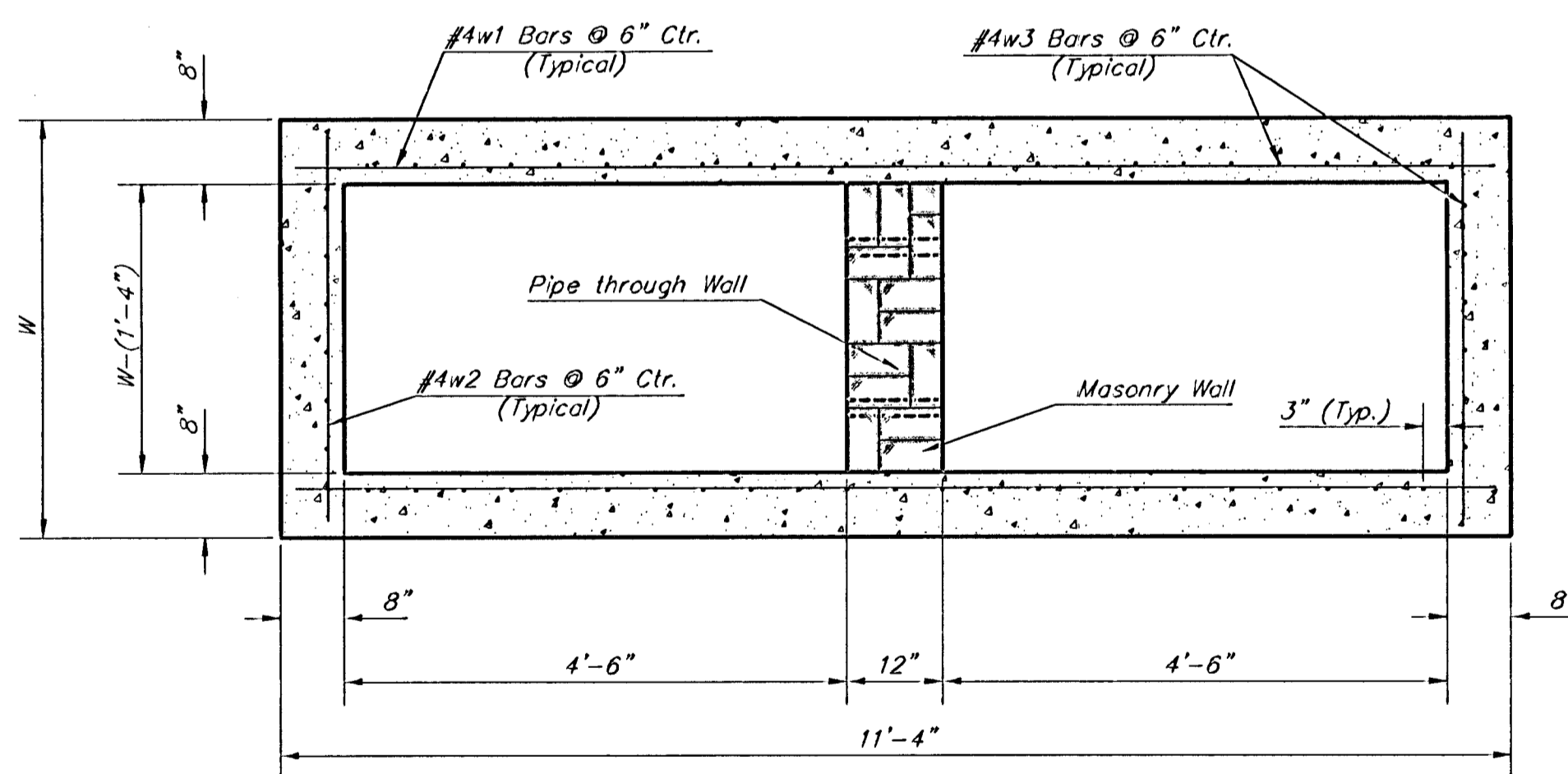


PLAN

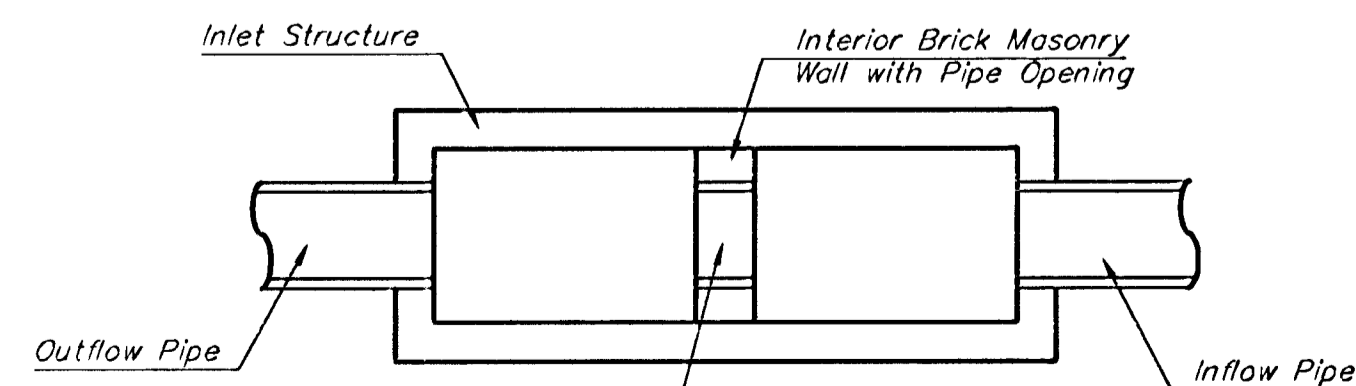
*Left Side Shown Without Slab Reinforcing,
Right Side Shown With Slab Reinforcing



ELEVATION

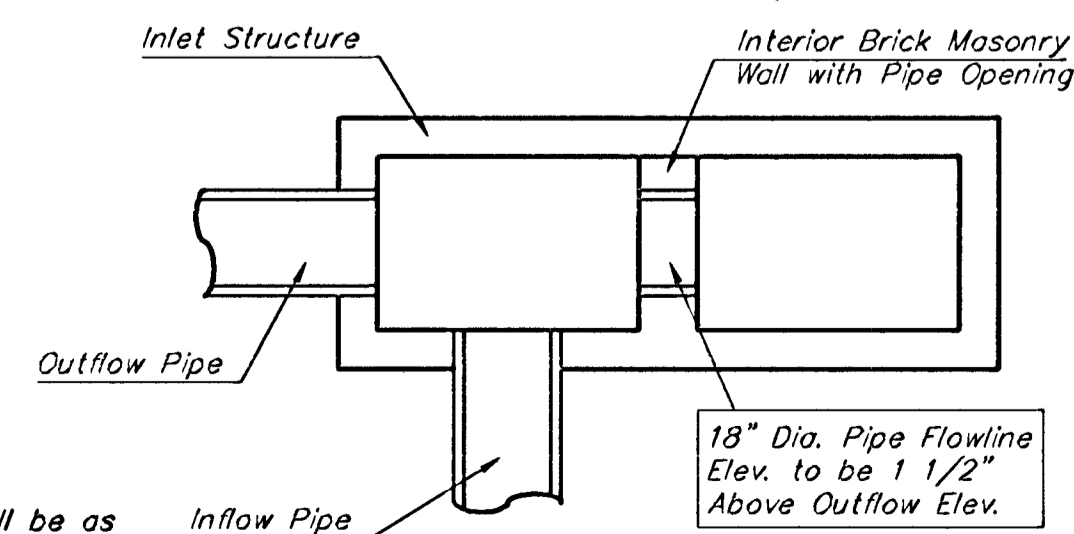


SECTION B-B



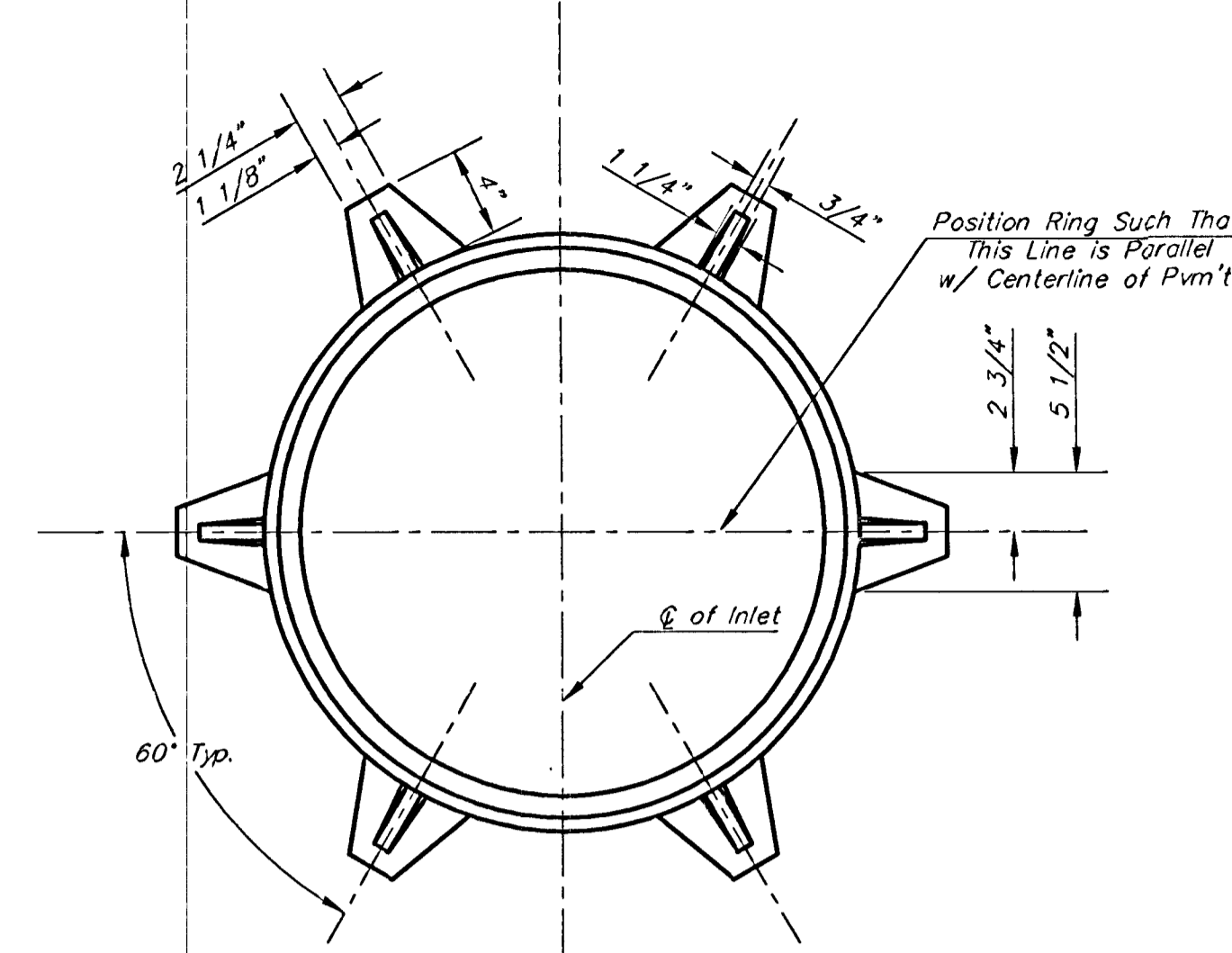
Pipe Size to be the Same as
Outlet Pipe Size. Flowing Elev.
to be Average of Lowest Inflow
Pipe Elev. and Outflow Pipe Elev.

CASE I



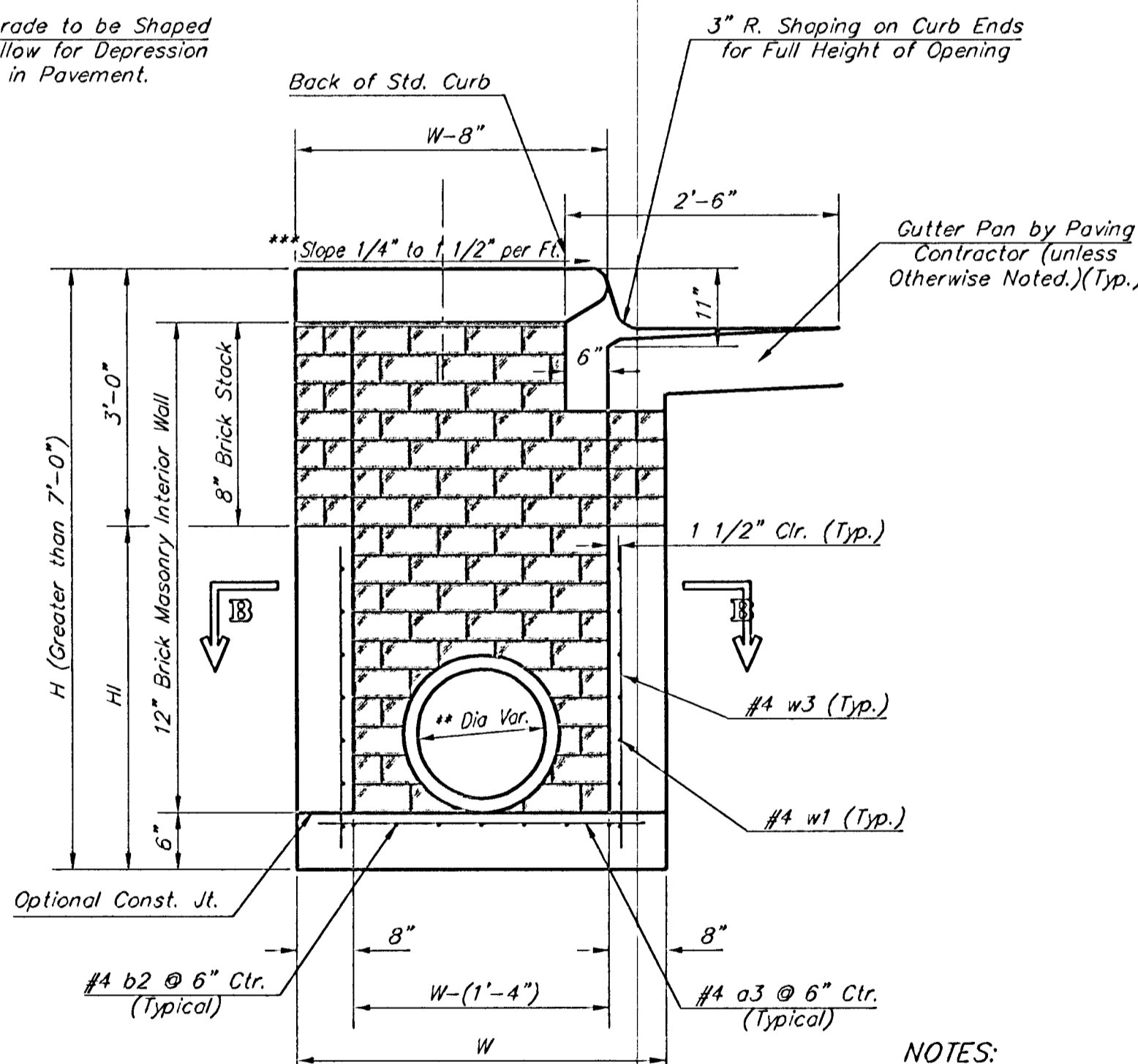
NOTE:
Center Wall Pipe Size shall be as
Specified in Inlet Construction Notes
on the Plan/Profile Sheets for those
Cases not Shown Here.

CASE II



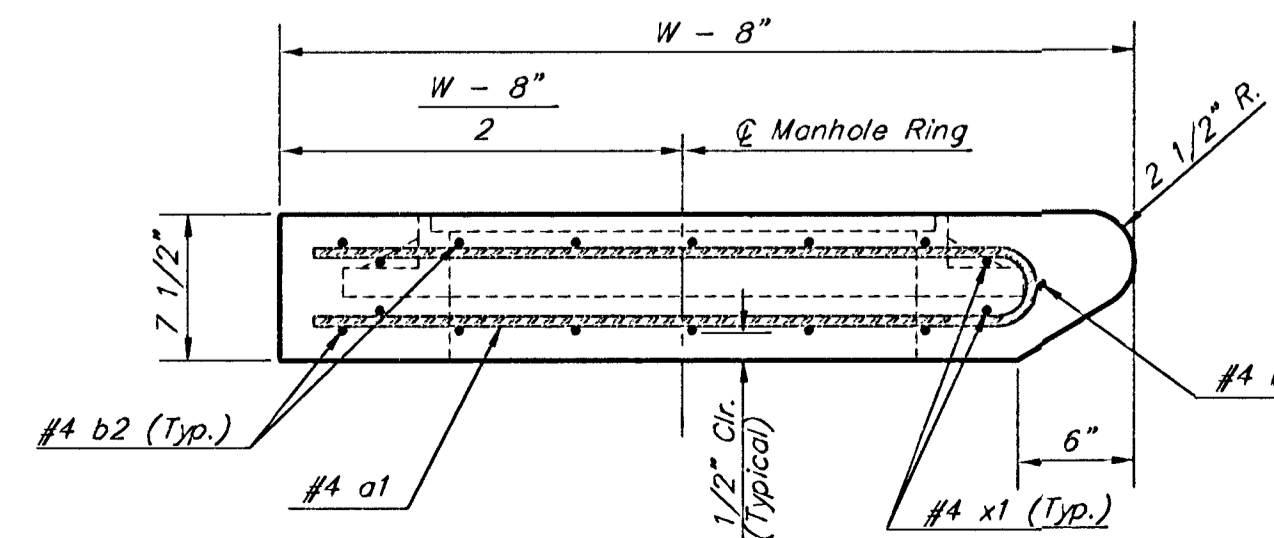
MANHOLE RING AND COVER

*See City of Wichita Standard Manhole Ring
and Cover Detail Sheet for Cover Details to
Be Used With Inlet Frame.



**TYPICAL INLET
SECTION AT CENTER WALL
(REINFORCED CONCRETE WALLS)**

NOTES:
** A center wall opening shall be provided by
means of a section of reinforced concrete
pipe. See Case I and Case II below.
*** Slope of inlet tops to match sidewalk of
parking slopes within limits indicated



SECTION A-A

PRECAST SLAB AND FLOOR REINFORCING											
MARK	SIZE	W = 4'-4"		W = 5'-4"		W = 6'-4"		W = 7'-4"		W = 8'-4"	
		NO.	LENGTH	NO.	LENGTH	NO.	LENGTH	NO.	LENGTH	NO.	LENGTH
a1	#4	13	6'-7"	13	8'-7"	13	10'-7"	13	12'-7"	13	14'-7"
* a2	#4	4	6'-0"	4	8'-0"	4	10'-0"	4	12'-0"	4	14'-0"
a3	#4	23	4'-1"	23	5'-1"	23	6'-1"	23	7'-1"	23	8'-1"
b1	#4	1	9'-9"	1	9'-9"	1	9'-9"	1	9'-9"	1	9'-9"
* b2	#4	23	11'-1"	29	11'-1"	35	11'-1"	41	11'-1"	47	11'-1"
x1	#4	16	3'-10"	16	4'-2"	16	4'-6"	16	4'-10"	16	5'-2"

WALL REINFORCING											
MARK	SIZE	W = 4'-4"		W = 5'-4"		W = 6'-4"		W = 7'-4"		W = 8'-4"	
		NO.	LENGTH	NO.	LENGTH	NO.	LENGTH	NO.	LENGTH	NO.	LENGTH
w1	#4	①	11'-1"	①	11'-1"	①	11'-1"	①	11'-1"	①	11'-1"
w2	#4	①	4'-1"	①	5'-1"	①	6'-1"	①	7'-1"	①	8'-1"
w3	#4	52	②	56	②	60	②	64	②	68	②

* Field Bend or Cut Reinforcing as Required for Clearance.
① 4 (H - 12') (H - 21') Rounded down to nearest 0.5'
② H - 3"

STANDARD CURB INLET PRECAST TOPS			
W	PRE-CAST TOP SIZE	PIPE SIZE	CU. YD. CONC.
4'-4"	3'-8" x 11'-4" x 7 1/2"	21" & SMALLER	0.83±
5'-4"	4'-8" x 11'-4" x 7 1/2"	24" & 30"	1.09±
6'-4"	5'-8" x 11'-4" x 7 1/2"	36" & 42"	1.35±
7'-4"	6'-8" x 11'-4" x 7 1/2"	48" & 54"	1.61±
8'-4"	7'-8" x 11'-4" x 7 1/2"	60" & 66"	1.87±

BENDING DIAGRAM

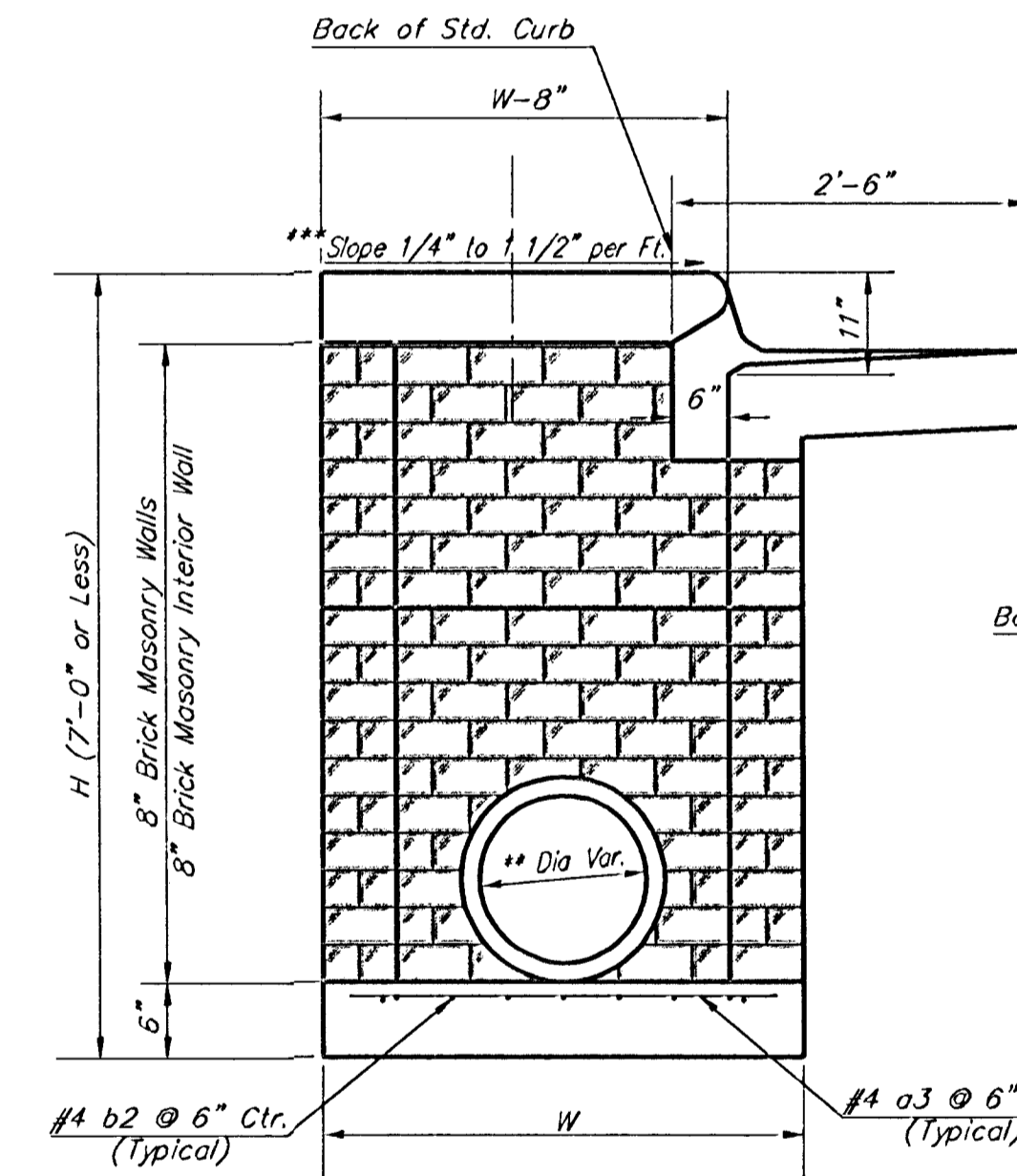
GENERAL NOTES:

Concrete shall be C.O.W. standard paving mix. All
exposed edges shall be finished with an edging tool.
Reinforcing bars shall be field bent or cut to clear pipes
and inlet rings. All bars are #4 bars @ 6" spacing and shall
have a minimum clearance of 1 1/2" unless otherwise noted.
Floors of inlet shall be shaped with 8 sack sand mix
concrete to increase hydraulic efficiency such that the
inlet will be self cleaning between all inlet and/or outlet
pipe(s). The contractor will be required to construct 8"
brick masonry walls between the inlet base and top on this
inlet when H=7'-0" or less and W=6'-4" or less. When W is
greater than 6'-4" and H is less than 7'-0", the outside
inlet walls below the brick stack shall be reinforced
concrete construction.

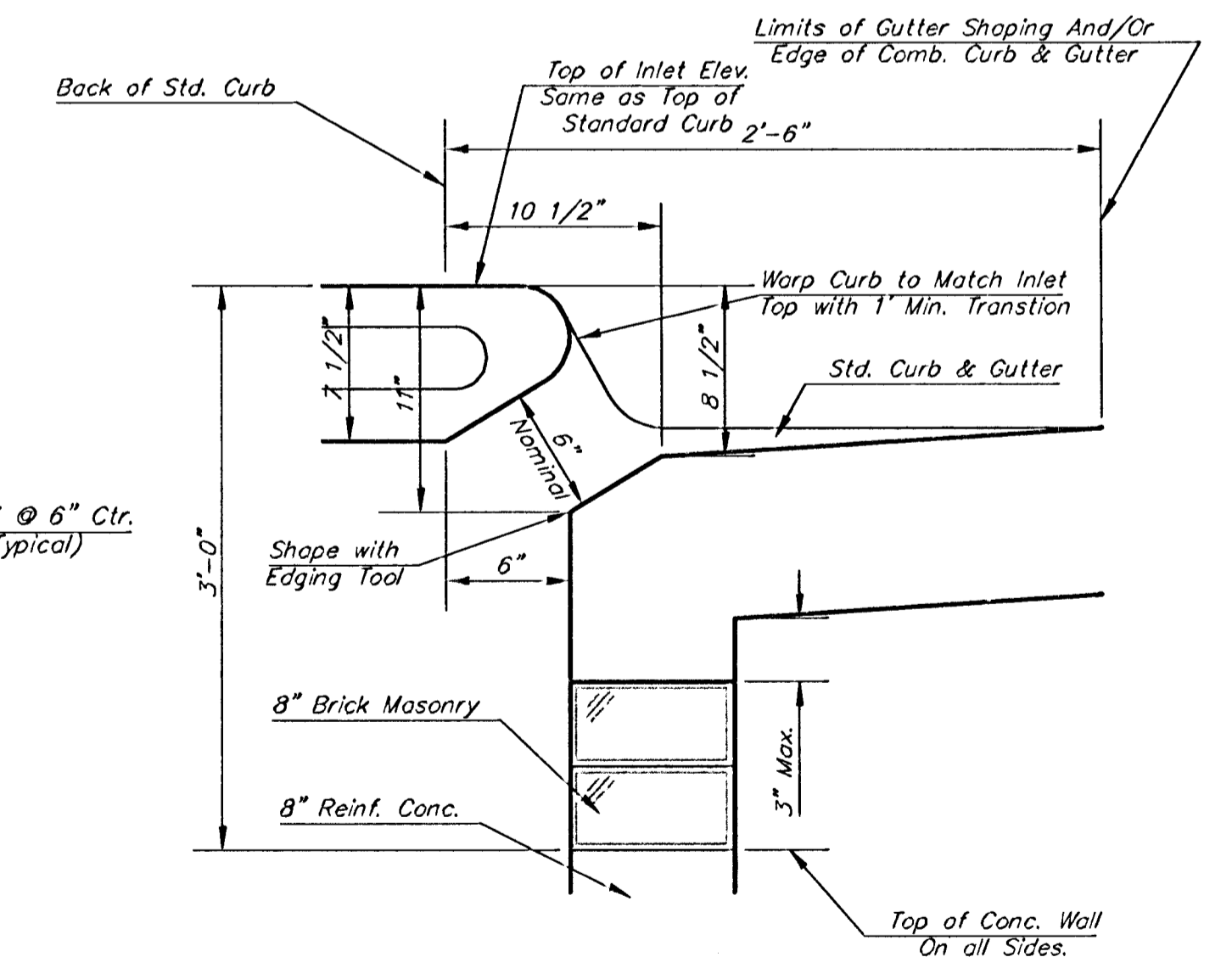
Concrete tops to be installed on thin mortar cushion to
insure full support along brick walls. Concrete tops may be
cast in place or precast.

The ends of all pipes installed in inlets shall be cut
off flush with the inside face of the inlet wall.

This detail is identical to the standard detail drawing
except that the gutter transition length is increased from
2'-0" to 3'-6".



**TYPICAL INLET
SECTION AT CENTER WALL
(MASONRY WALLS)**



SECTION C-C

Revised - Feb. 16, 1989

**CITY OF WICHITA STANDARD TYPE I
CURB INLET DETAILS**
INLET OPENING = 6" X 10'-0"

BAUGHMAN COMPANY P.A.
ENGINEERING, SURVEYING, & PLANNING
318-262-7271 • 315 ELLIS • WICHITA, KANSAS 67211

DESIGN C.O.W.	DRAWN STAFF	APPROVED	DATE	SCALE NONE	SHEET OF 5 13
------------------	----------------	----------	------	---------------	--------------------------------------

DETAILS 171P1-D 03-12-E764