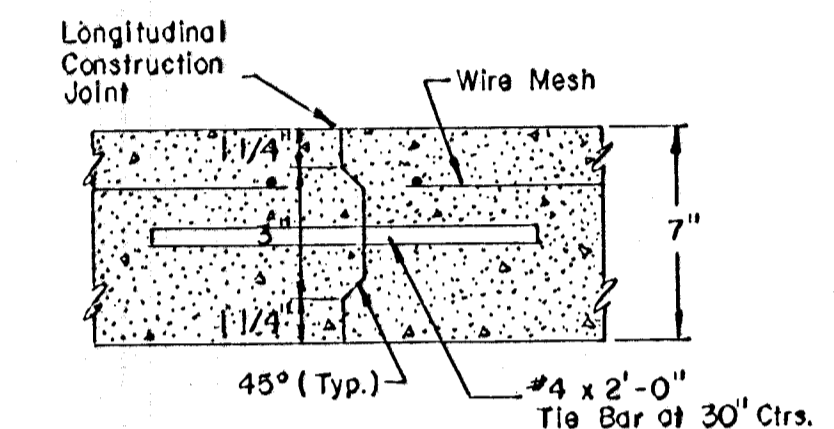
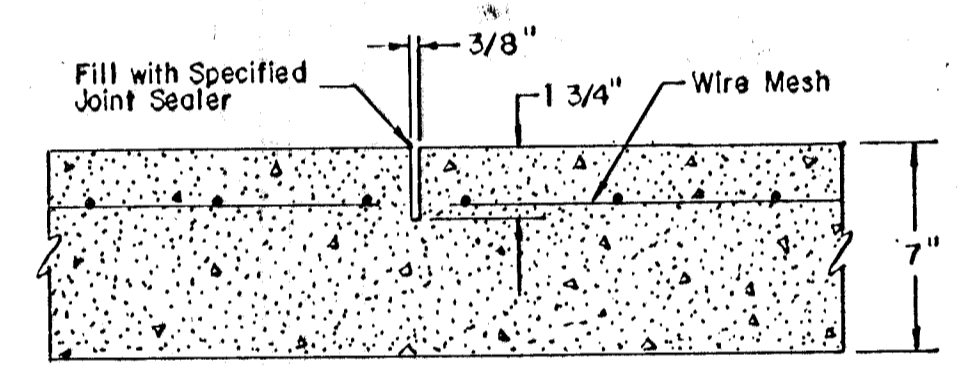


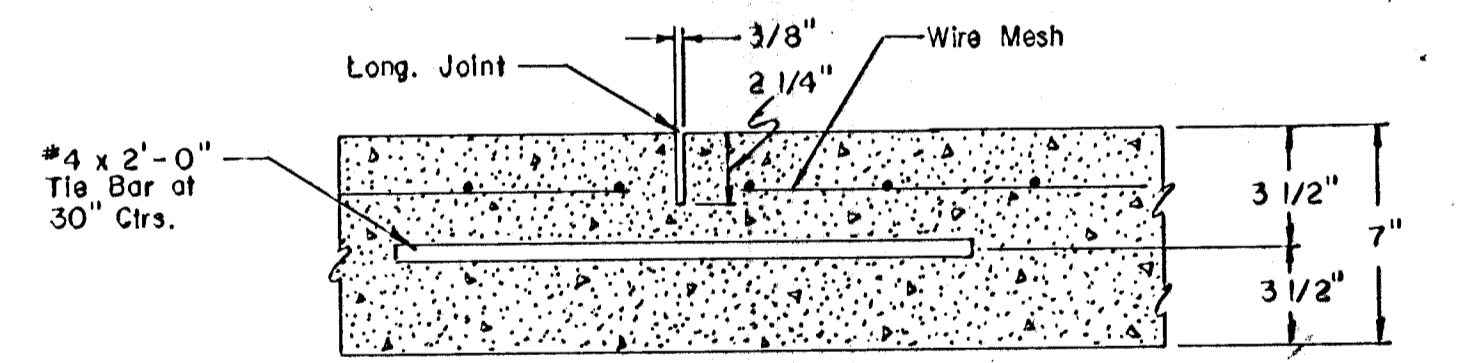
TYPICAL SECTION - STA. 2+05.03 to STA. 2+30.03
22' Wide Alley Pavement
No Scale



LONGITUDINAL CONSTRUCTION JOINT DETAIL
Transverse Section

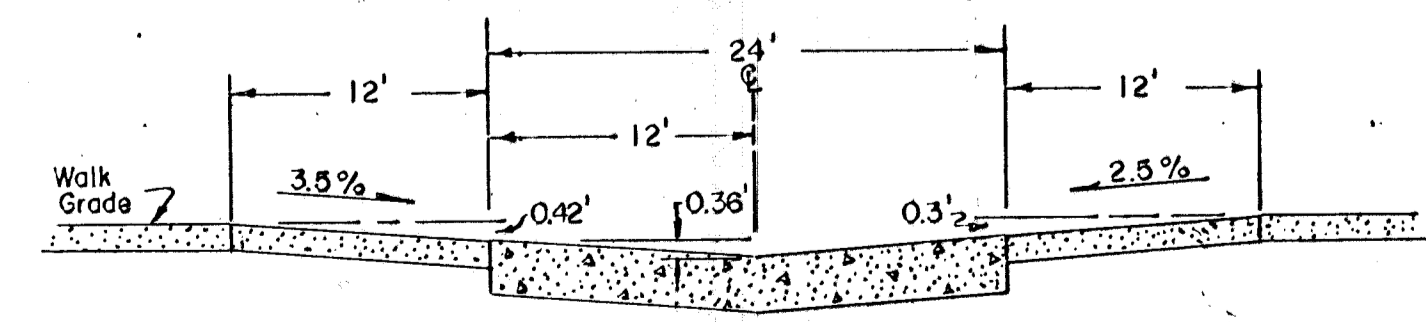


SAWED TRANSVERSE CONTRACTION JOINT
At 20' Intervals

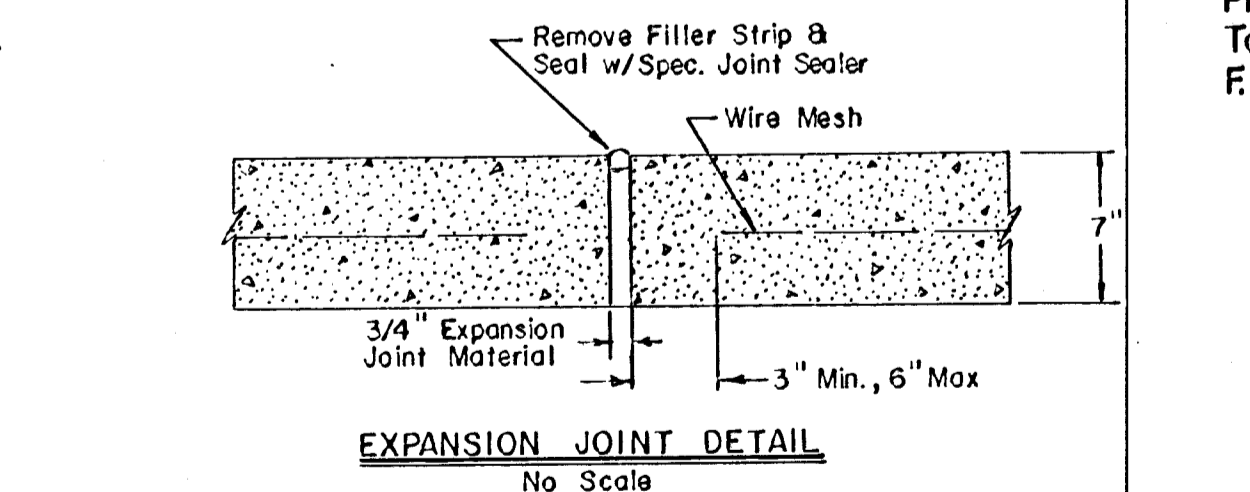


LONGITUDINAL JOINT DETAIL
Transverse Section

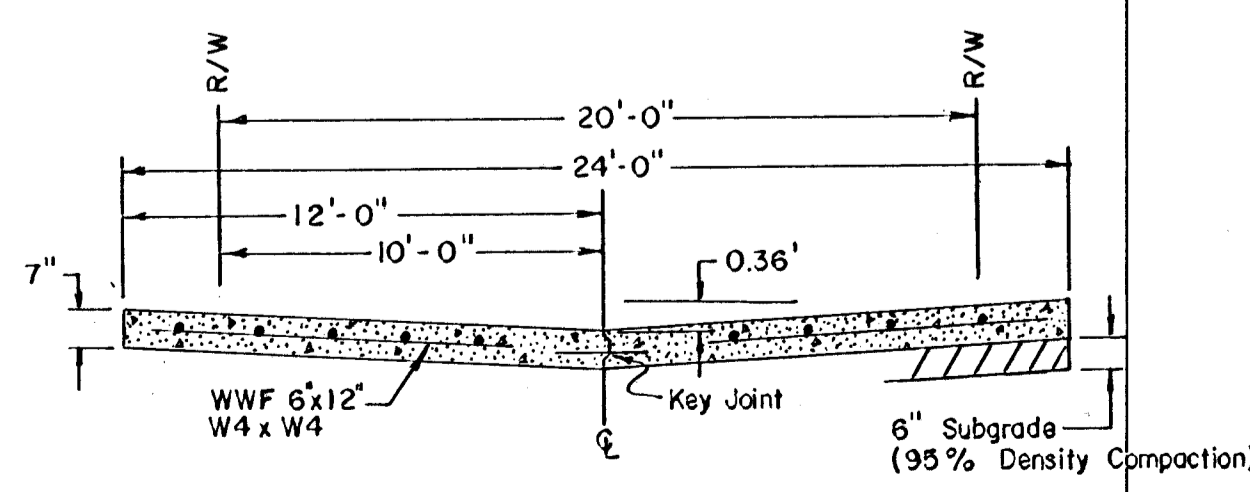
NOTE: Longitudinal joint formed by sawing 2 1/4" deep and 3/8" wide and filled as specified in standard specifications.



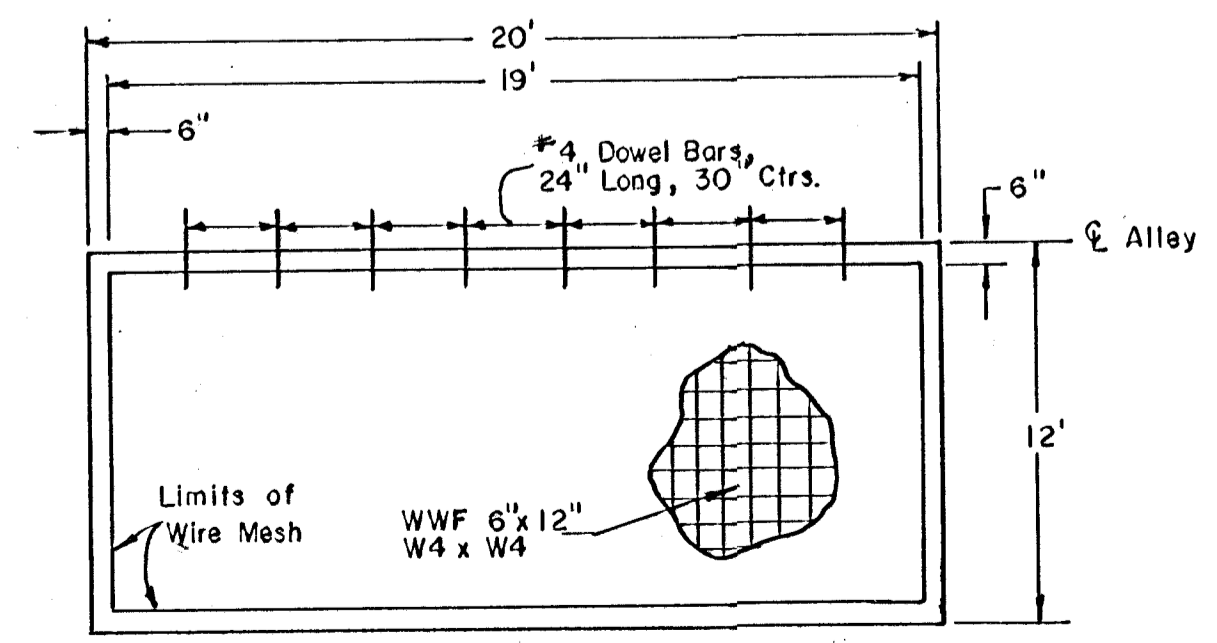
ALLEY APPROACH
Section at Back of Walk
No Scale



EXPANSION JOINT DETAIL
No Scale



TYPICAL SECTION - STA. 0+50 to STA. 2+05.03
24' Wide Alley Pavement
No Scale



TYPICAL STEEL PATTERN
No Scale