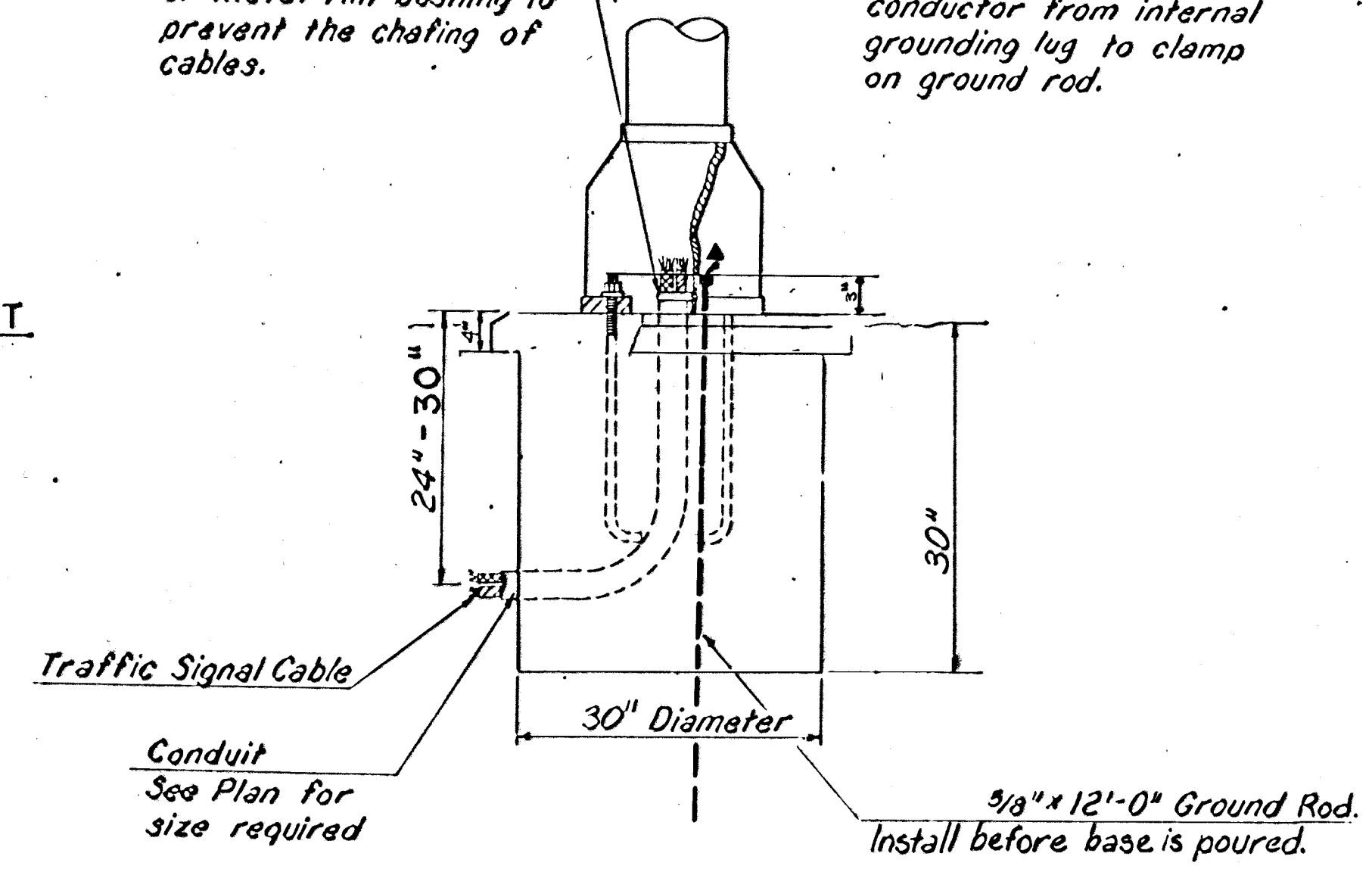


ANCHOR BOLT
DETAIL

Conduit extensions above base shall have a plastic or metal rim bushing to prevent the chafing of cables.

No. 6 bare copper ground conductor from internal grounding lug to clamp on ground rod.



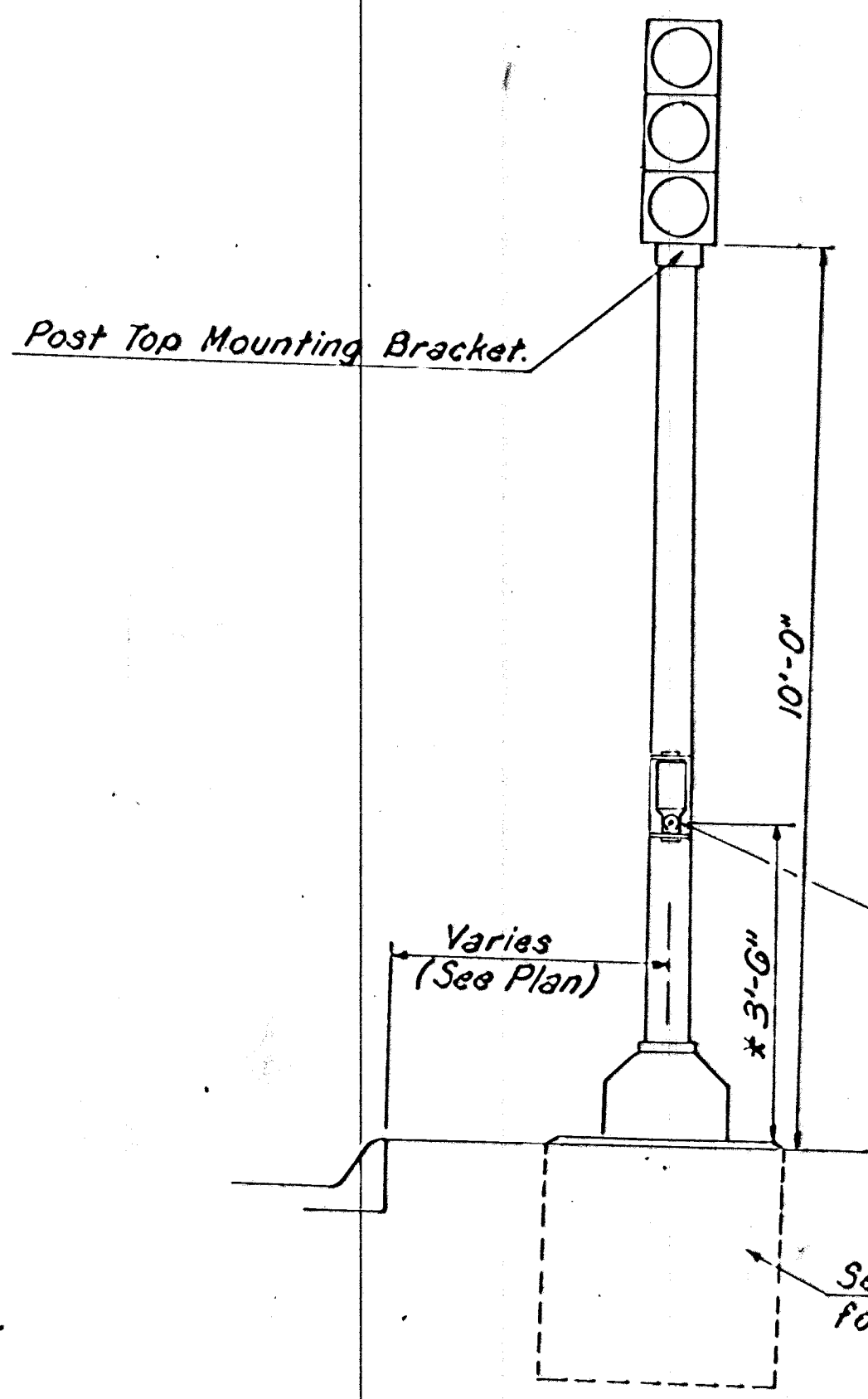
CONCRETE BASE DETAILS

Use Keystone "No-Weld Number 1 Anti-Seize Compound" on all bolts & nuts.

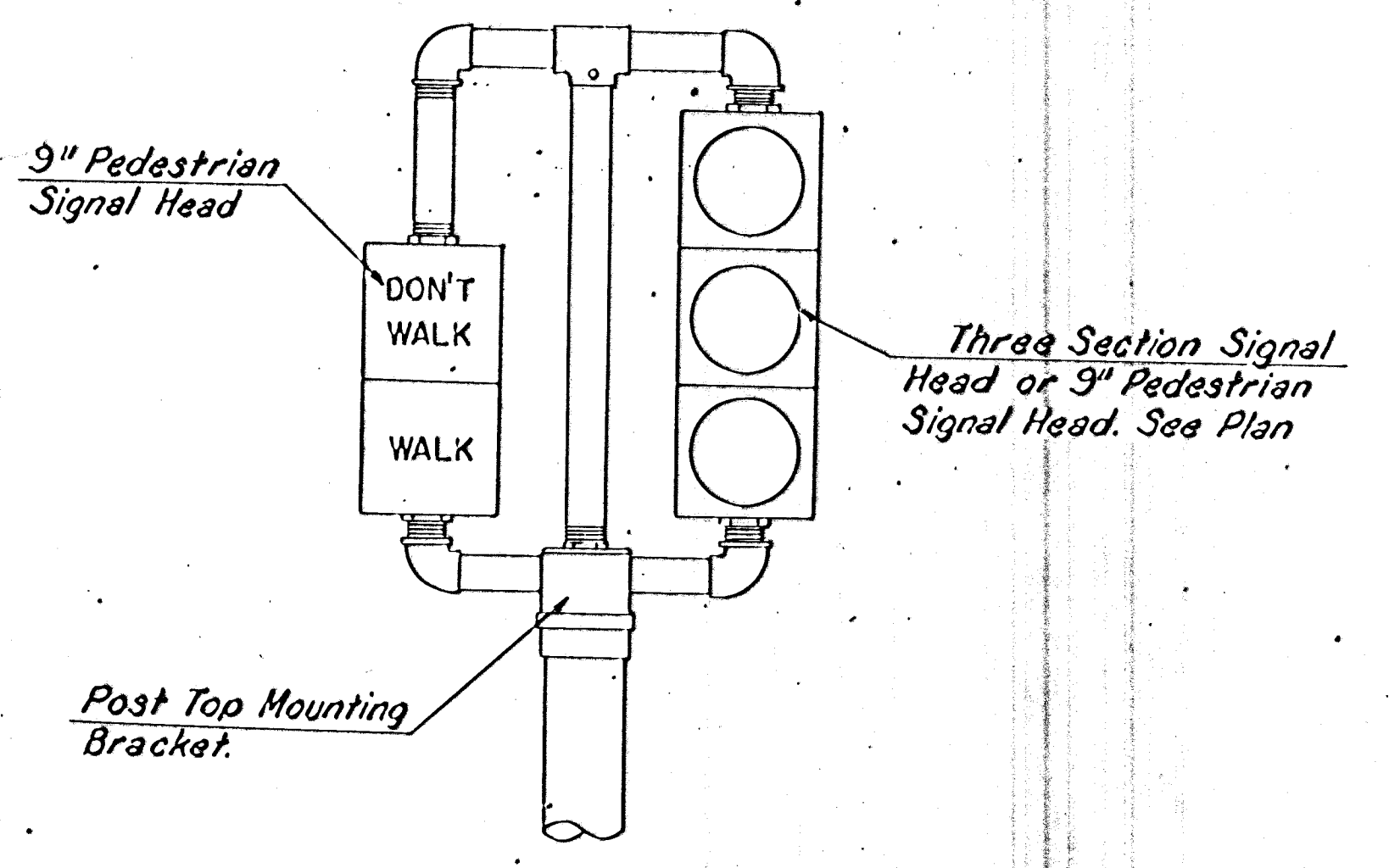


The Pedestrian Pushbutton/Sign Unit shall be firmly attached to the side of pole with 3/4" steel bands. Sharp ends shall be folded under to prevent injury to pedestrians.

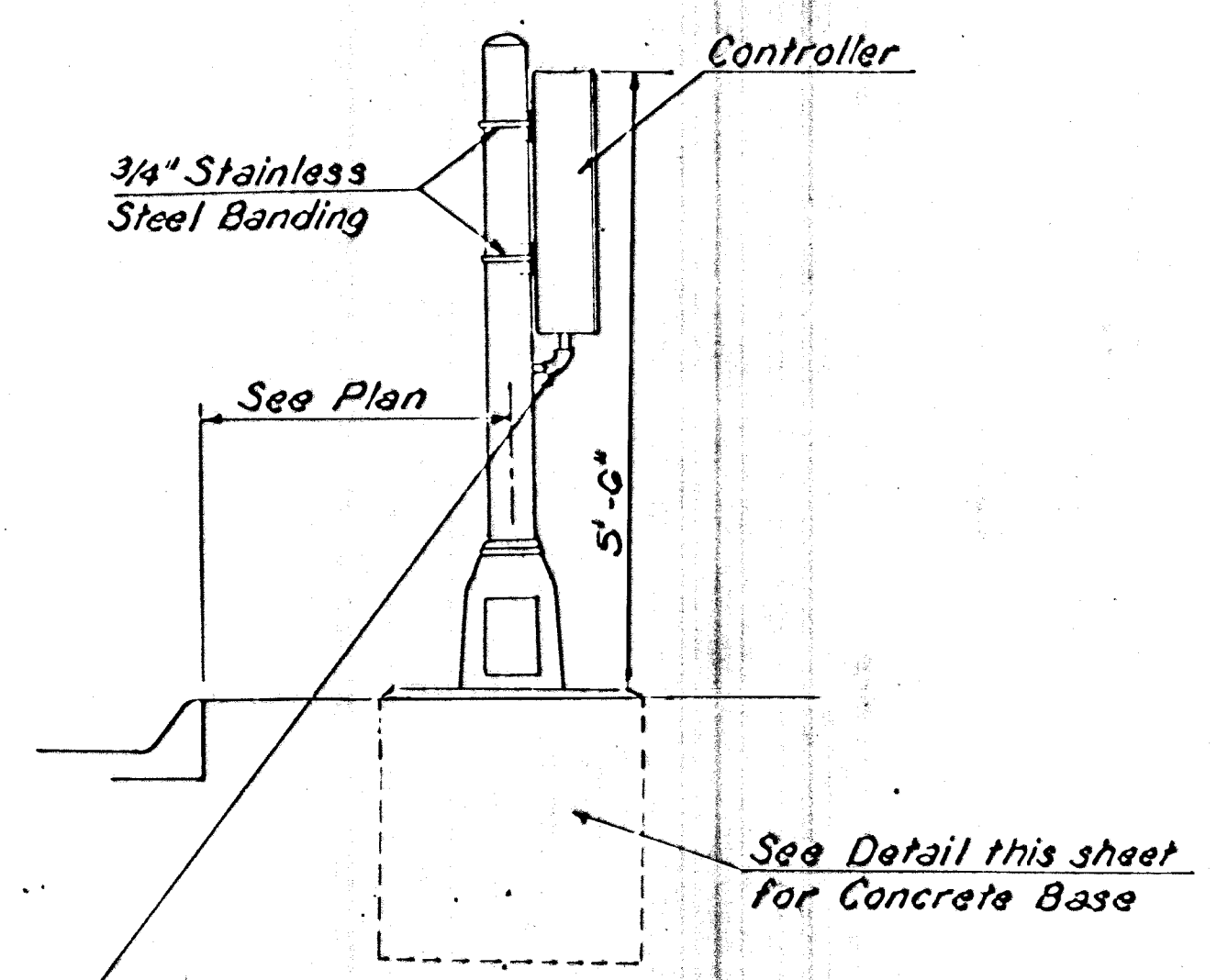
REV	DATE	COMMENTS	INT.
1		CHANGE PUSHPUTTON UNIT*	CS
2		CHANGE NIPPLE WOODRILL	CS
3		CHANGE STEEL BAND	CS
4		CHANGE NIPPLE SIZE	CS



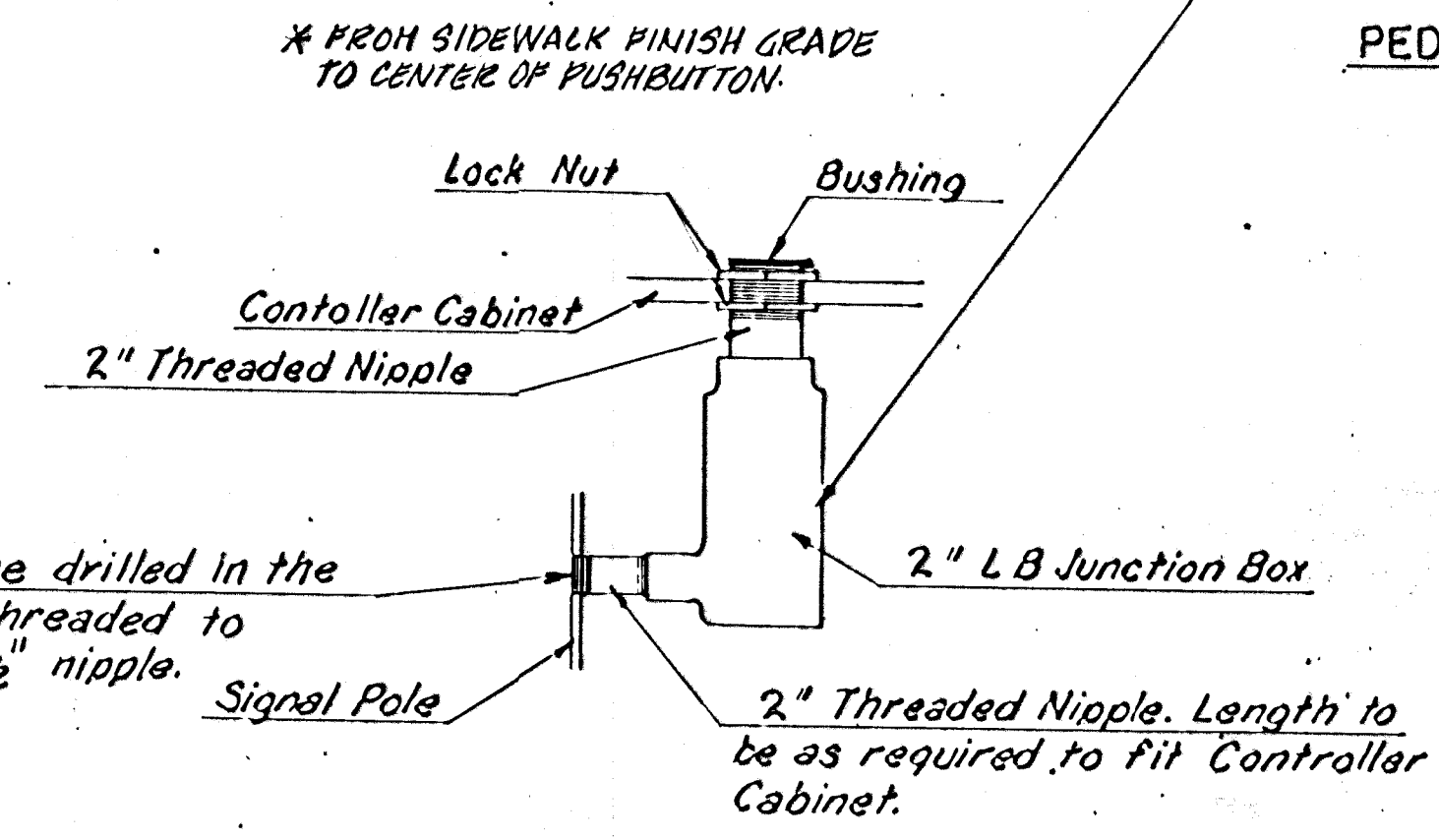
TRAFFIC SIGNAL PEDESTAL



DETAIL A



PEDESTAL MOUNTED CONTROLLER



A hole shall be drilled in the signal pole & threaded to receive the 1 1/2" nipple.

2" Threaded Nipple. Length to be as required to fit Controller Cabinet.

TRAFFIC SIGNAL PEDESTAL & CONCRETE BASE DETAILS

CITY OF WICHITA
DEPARTMENT OF PUBLIC WORKS

Designed by	Checked by
Drawn by	Date
	Job No.