

GENERAL NOTES

UNIT STRESSES:
CONCRETE $F'c = 4,000$ P.S.I. (RETAINING WALL)

CONCRETE: CLASS 1 CONCRETE SHALL BE USED FOR THE RETAINING.

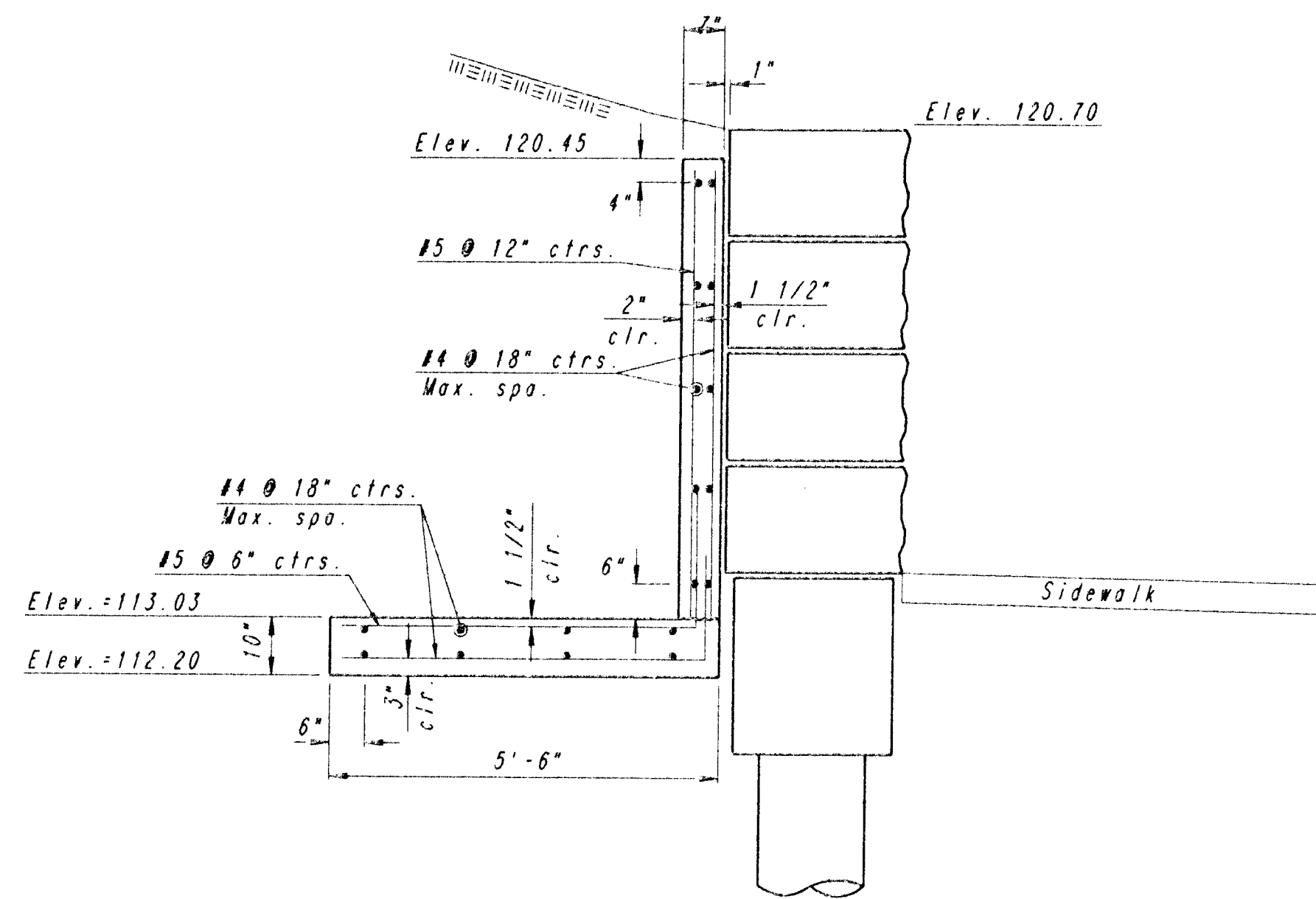
REINFORCING STEEL: REINFORCING STEEL SHALL CONFORM TO A.S.T.M. A615 GRADE 60. ALL DIMENSIONS RELATIVE TO REINFORCING ARE TO CENTERLINE OF BARS UNLESS OTHERWISE NOTED. BAR BENDING AND DIMENSIONS SHALL BE AS SHOWN AND NOTED ON THE BAR BENDING DIAGRAMS. THE CONCRETE COVER FOR ALL REINFORCING SHALL BE A MINIMUM OF 2" UNLESS OTHERWISE NOTED.

BASIS OF PAYMENT

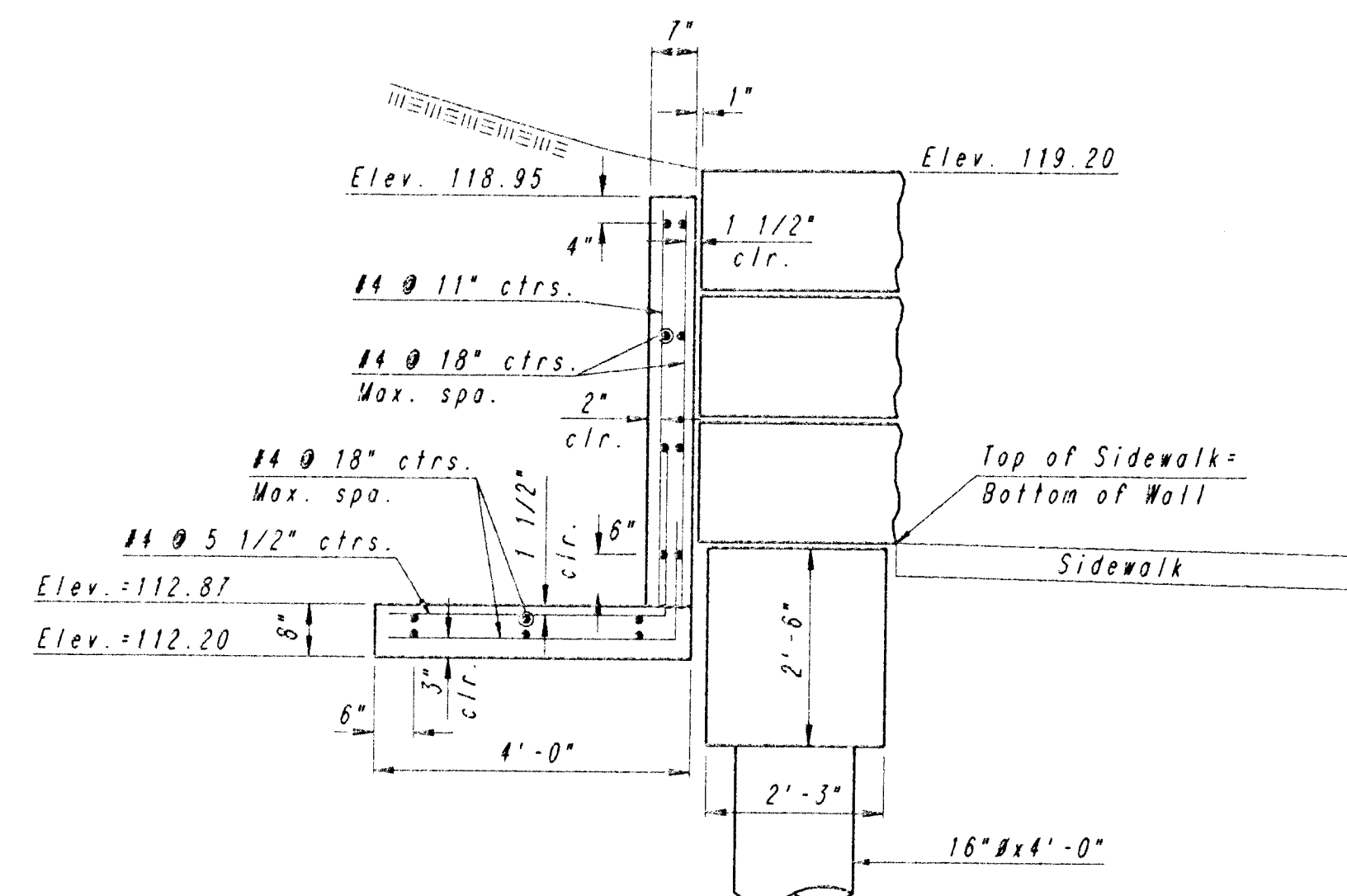
"L"-TYPE RETAINING WALL SHALL BE MEASURED AND PAID FOR AT THE UNIT PRICE BID PER LIN. FT. COMPLETE IN PLACE. SAID UNIT PRICE SHALL BE FULL COMPENSATION FOR FURNISHING AND PLACING ALL MATERIALS, INCLUDING REINFORCING STEEL, FOR ALL EXCAVATION, BACKFILL, COMPACTION OF BACKFILL, AND FOR ALL LABOR, TOOLS, EQUIPMENT, AND INCIDENTALS NECESSARY TO COMPLETE THE WORK.

NOTE: MINIMUM LAP: #4 BAR = 12"

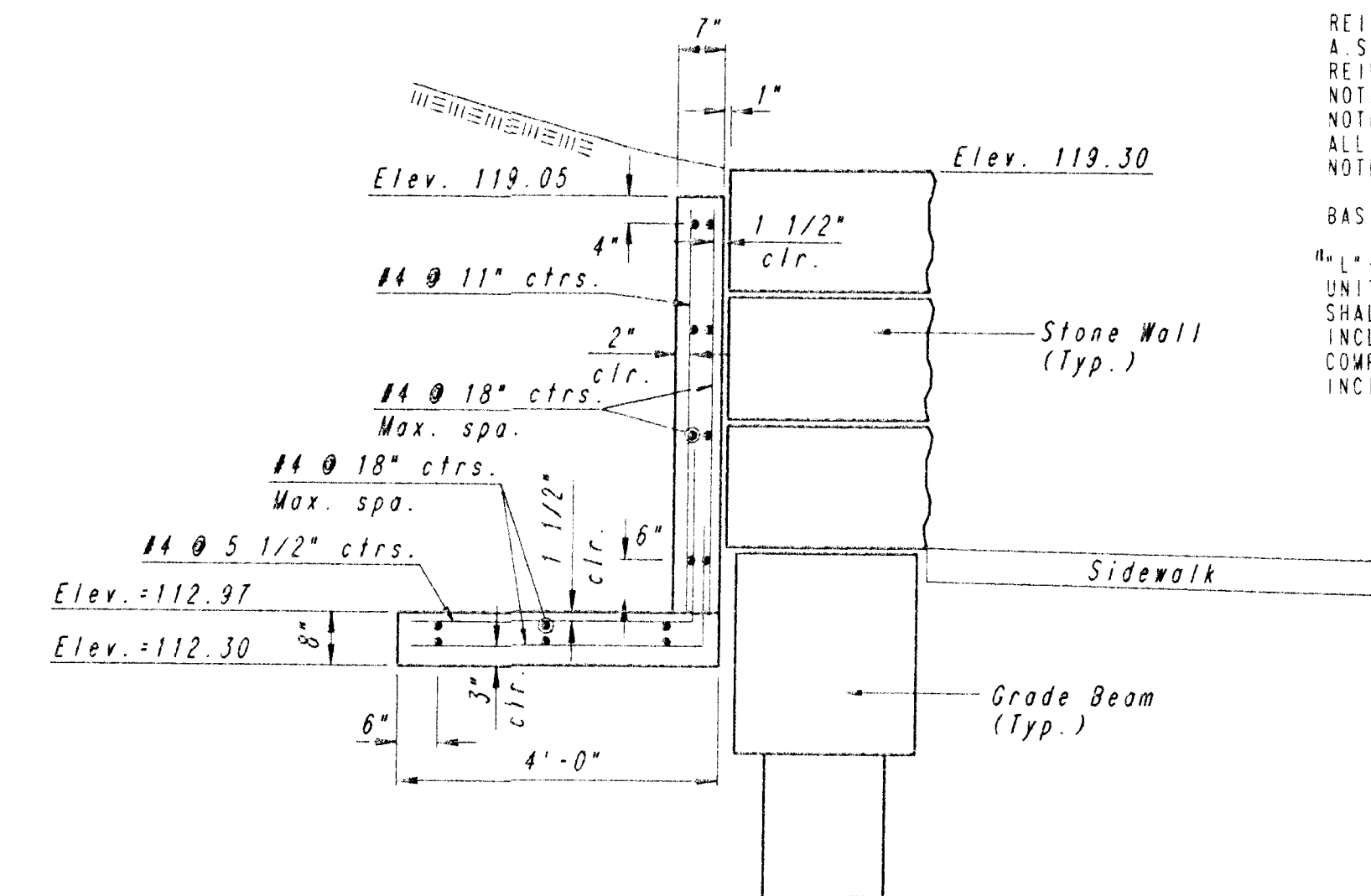
RETAINING WALLS TO BE CONSTRUCTED ON ALIGNMENT TO PROVIDE +1" TO -1/2" TOLERANCE TO BACK OF STONE WALL. SPACING BETWEEN WALL TYPES SHALL BE 1" UNIFORM WITH BASE WALL COMPACTION AS SHOWN FOR STREET CONSTRUCTION.



WALL SECTION
1 BLOCK TYPE
(Location B)



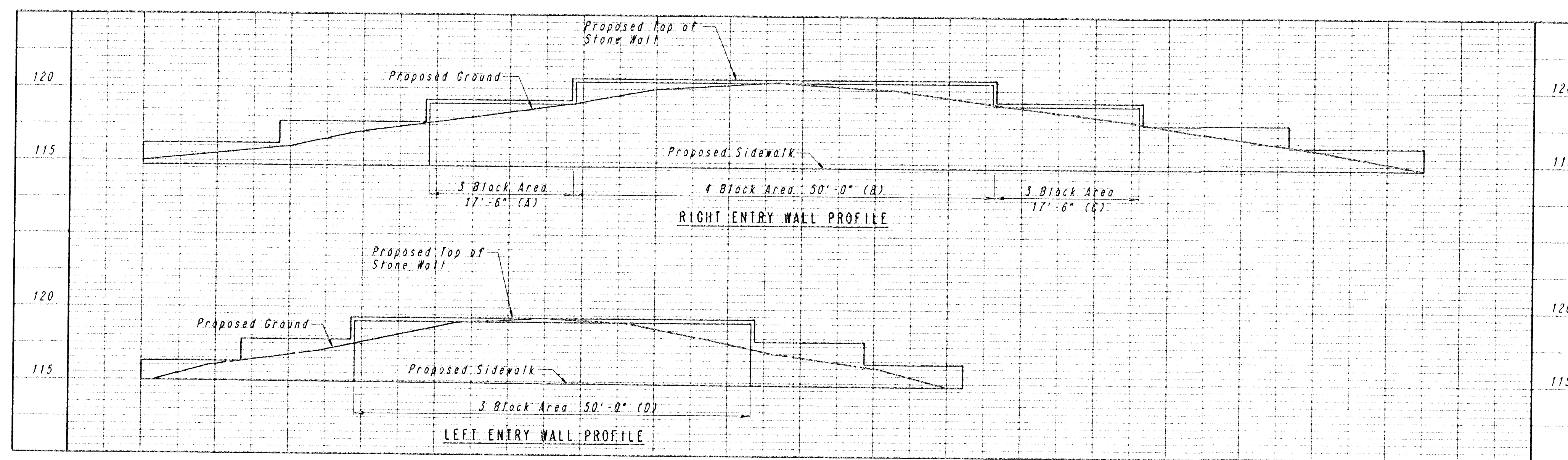
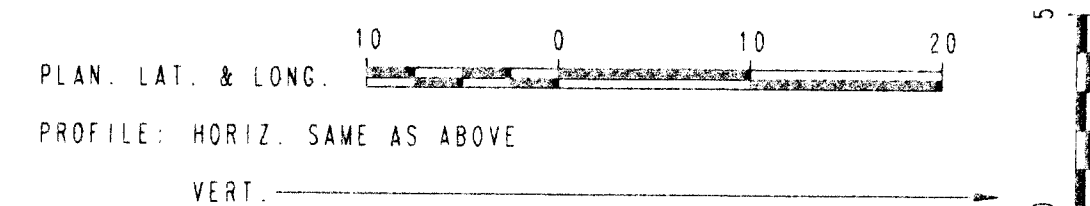
WALL SECTION
3 BLOCK TYPE
(Location A or C)



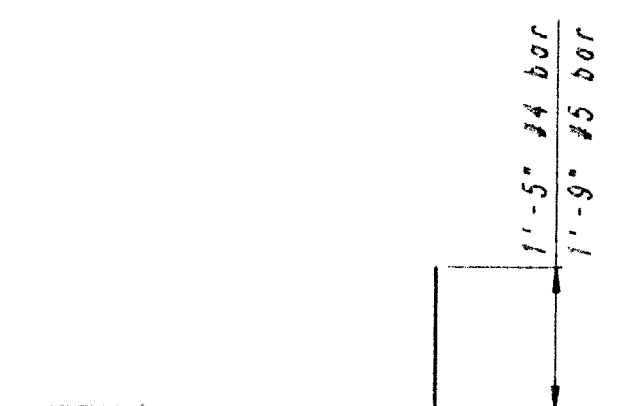
WALL SECTION
3 BLOCK TYPE
(Location D)

PLAN	SURVEYED	DATE
NOTE BOOK PLOTTED		
NO. OF ALIGNMENT CHECKED		
NO. OF WAY CHECKED		

SCALE:



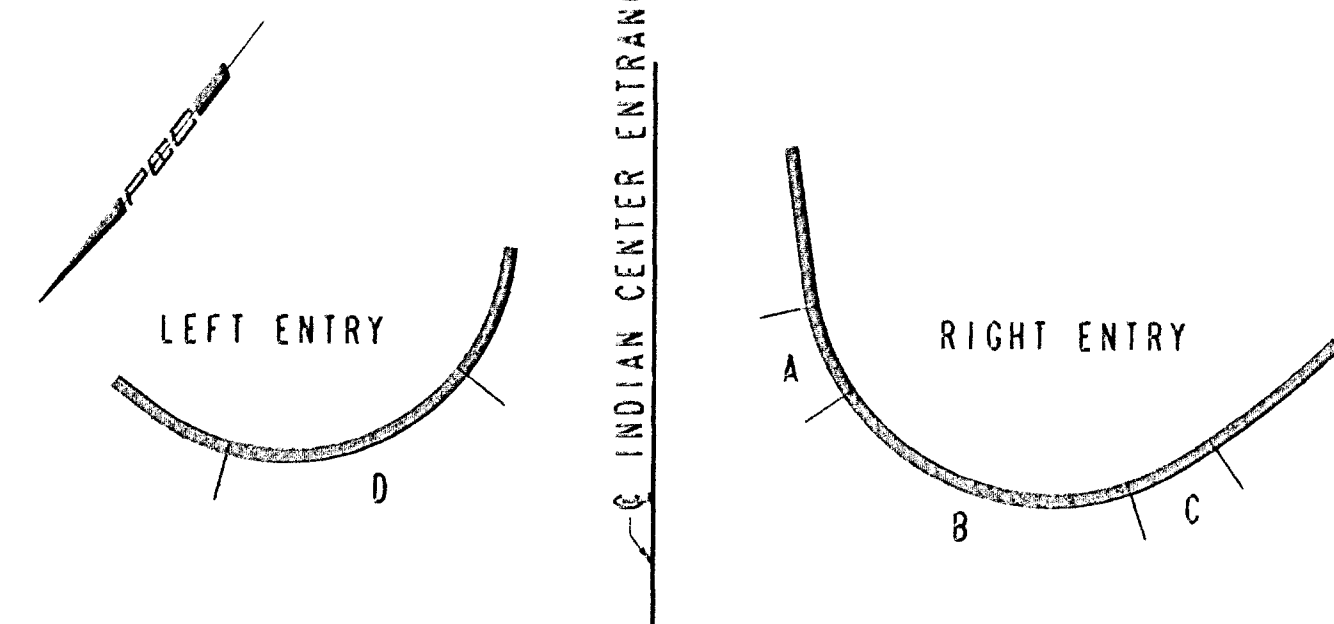
ELEVATION
At Front Face "L"-Type Wall



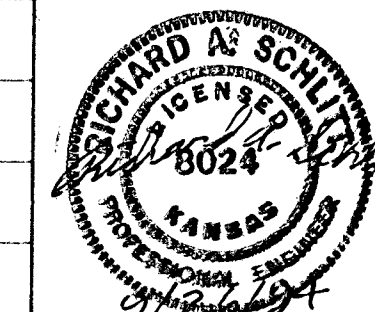
BENDING DIAGRAM

BILL OF MATERIALS ("L"-TYPE WALL)		
FOR INFORMATION ONLY		
LOCATION	CLASS "I" CONCRETE C.Y.	REINFORCING STEEL LBS.
A	4.0	459
B	16.5	1616
C	4.0	459
D	11.5	1317

DRAWING NAME: 36-92005 1C WALL DTLS
 LOCATION: D4 4517
 DATE: 10/1/94
 DATE LAST WORKED ON: SEPT. 21, 1994
 BRENT REMBERG



REV.	DATE	DESCRIPTION



HELLMUTH, OBATA & KASSEBAUM, INC.
DALLAS, TEXAS

PROFESSIONAL ENGINEERING
CONSULTANTS, P.A.
WICHITA, KANSAS

BRAD J. GOLDBERG
DALLAS, TEXAS

MID-AMERICA
ALL-INDIAN CENTER
SITE IMPROVEMENTS
CITY OF WICHITA, KANSAS

WALL DETAILS AND PROFILES

PROJECT NO.	ISSUE DATE	SCALE	SHEET W-3
-------------	------------	-------	-----------