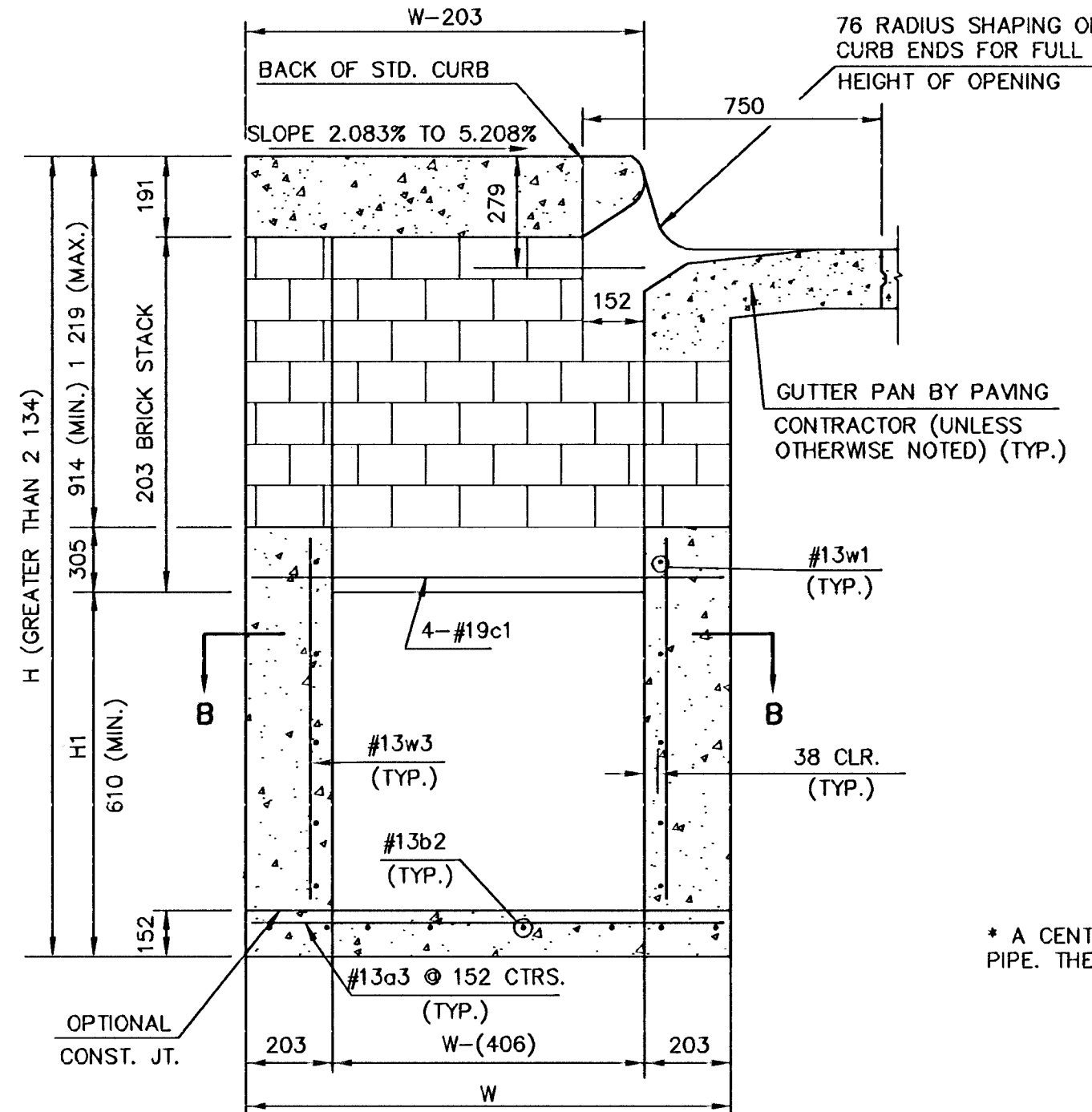


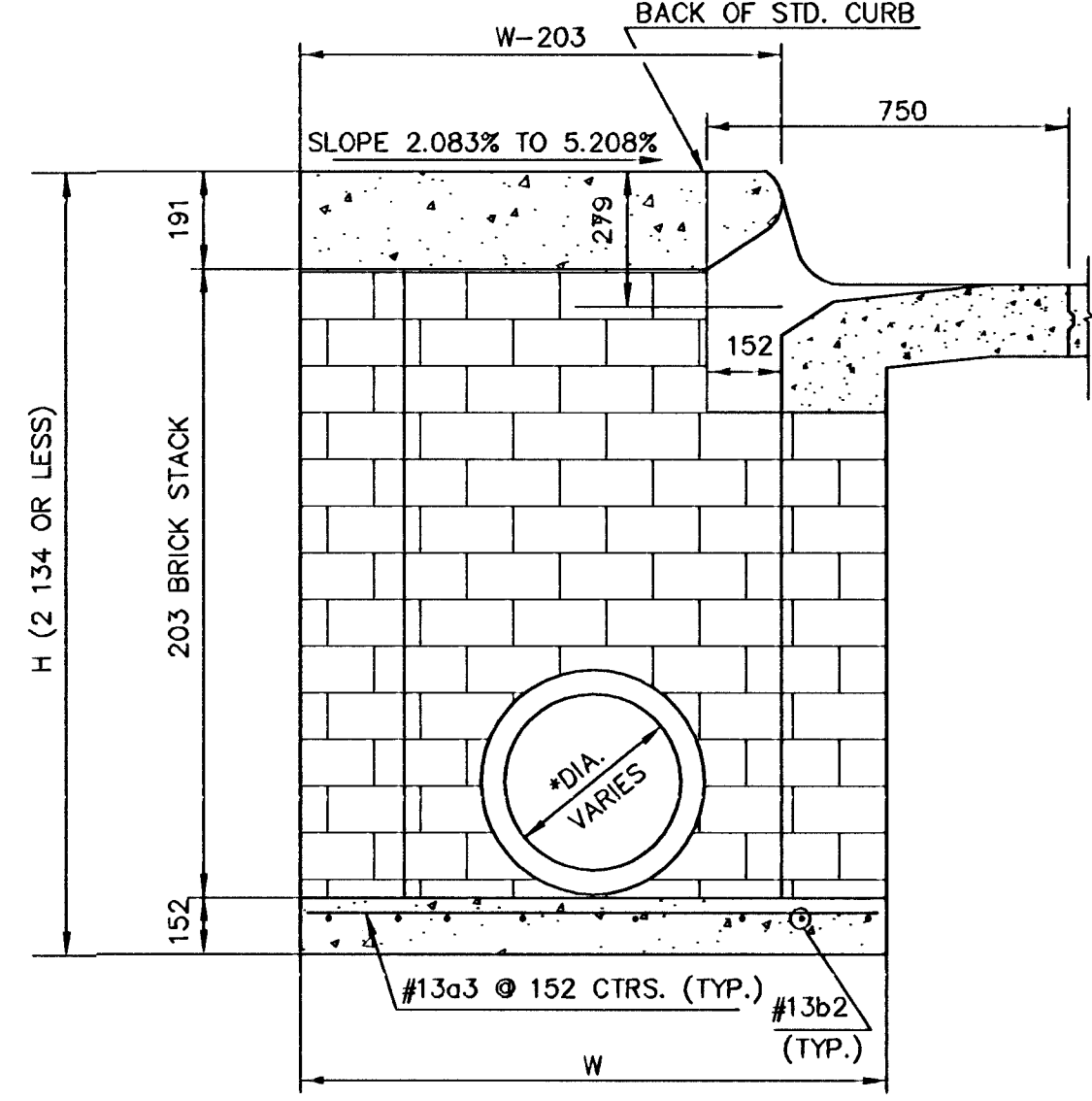
SLAB REINFORCING NOT SHOWN

SHOWING SLAB REINFORCING

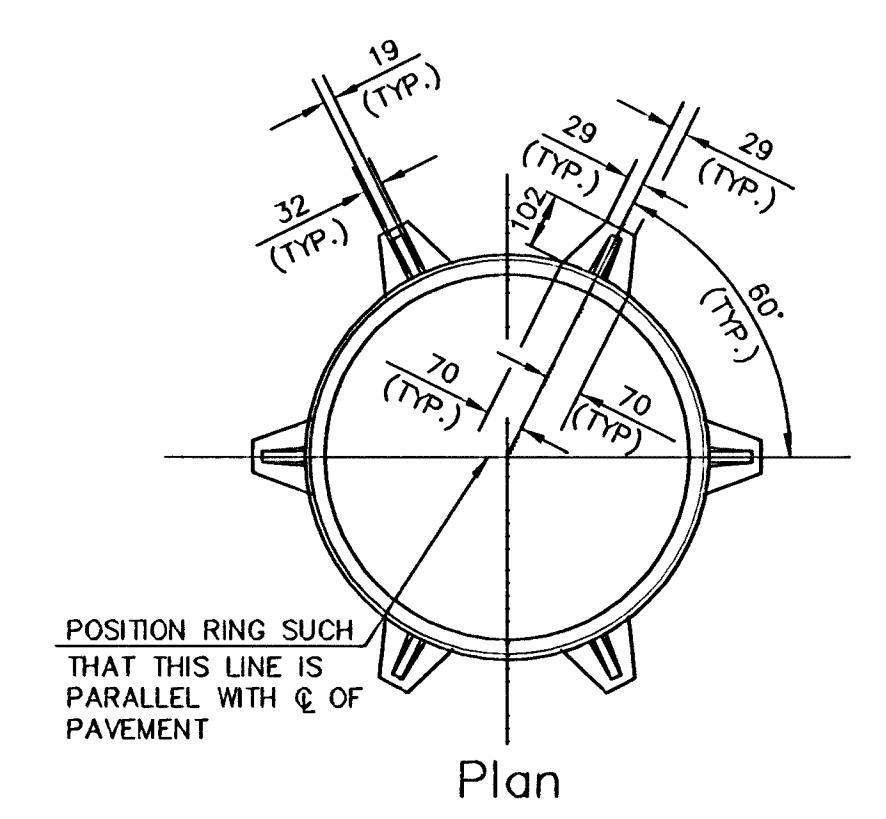
PLAN



TYPICAL INLET SECTION AT CENTER WALL (REINFORCED CONCRETE WALLS)

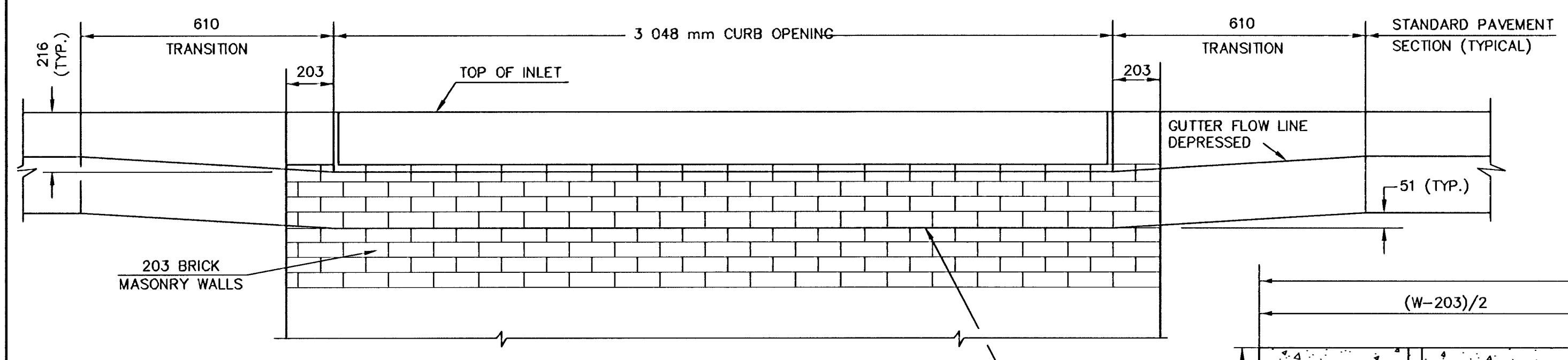


TYPICAL INLET SECTION AT CENTER WALL (MASONRY WALLS)

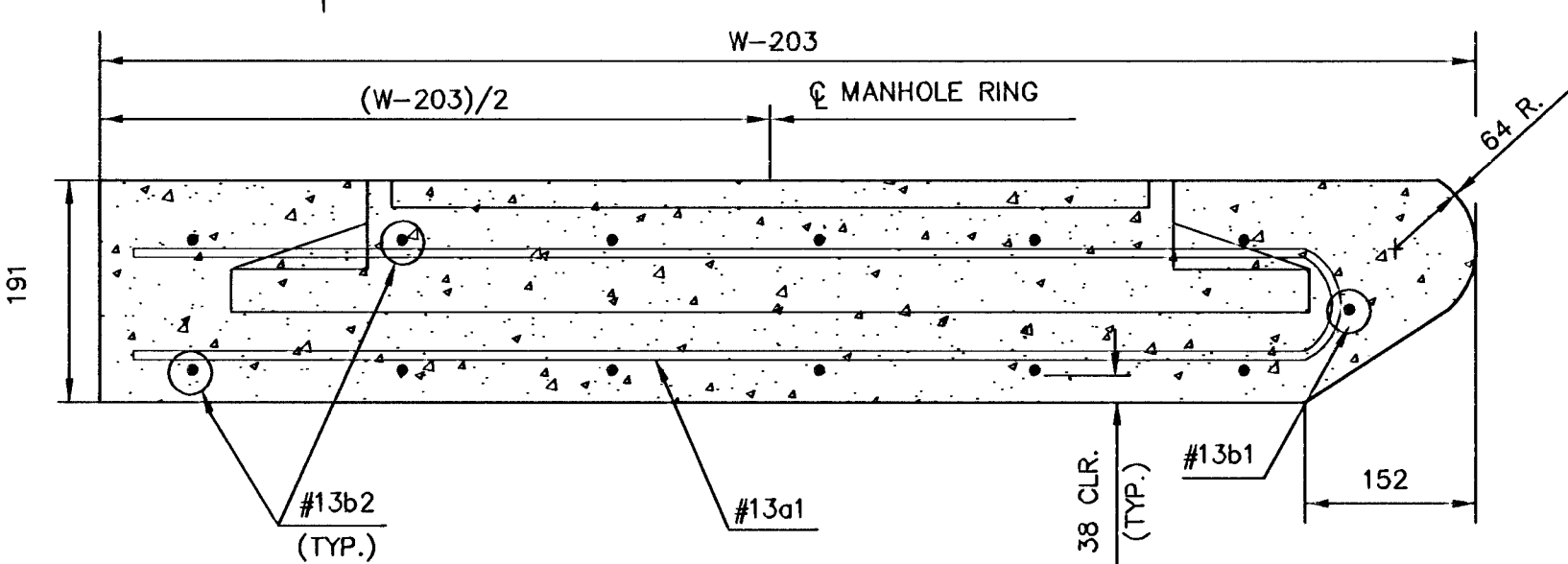


MANHOLE RING AND COVER DETAIL  
WT.=81.65 kg

SEE CITY OF WICHITA STANDARD MANHOLE FRAME AND COVER DETAIL SHEET FOR COVER DETAILS TO BE USED WITH INLET FRAME.

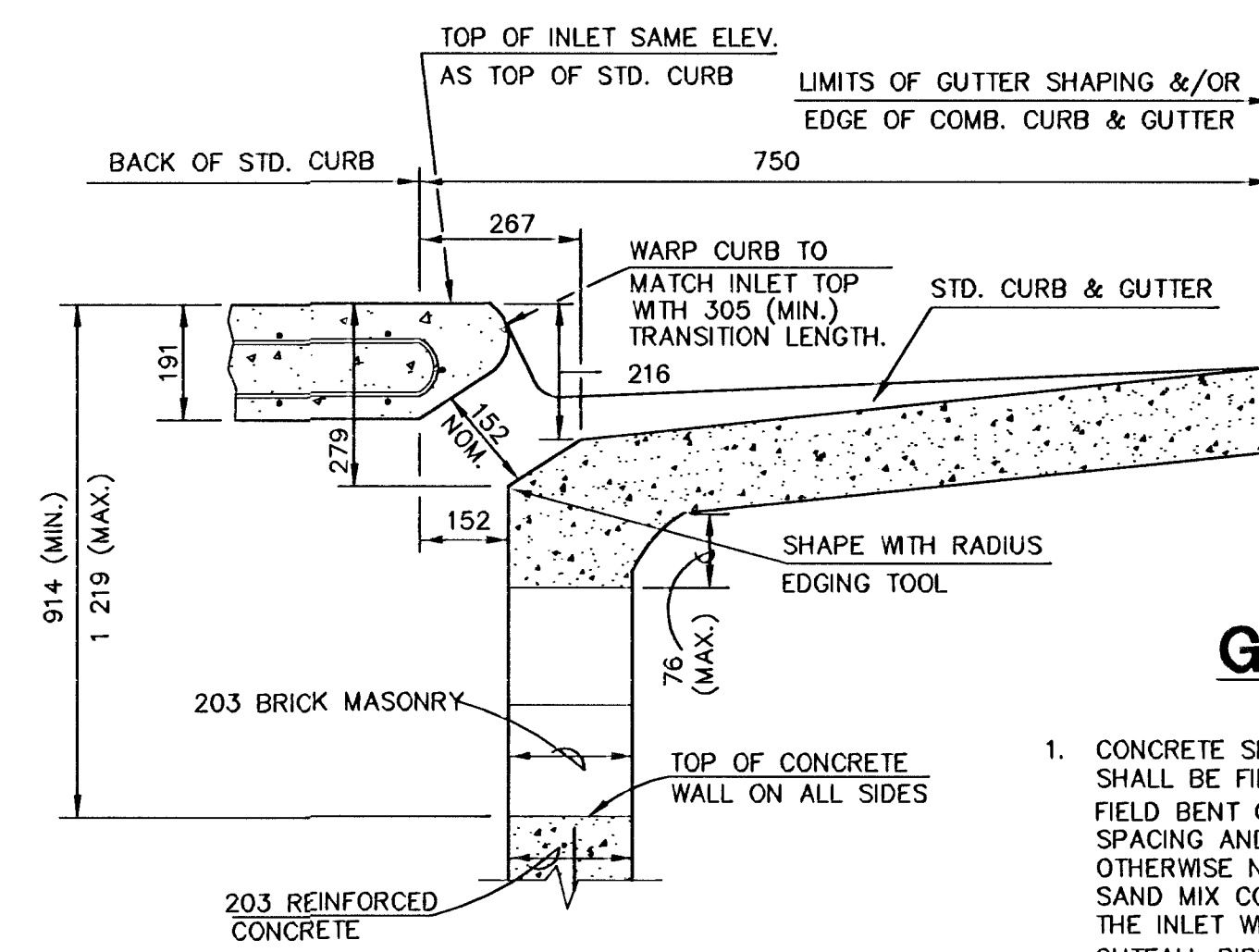


ELEVATION



NOTE: CONCRETE TOP TO BE INSTALLED ON THIN MORTAR CUSHION TO INSURE FULL SUPPORT ALONG WALLS.

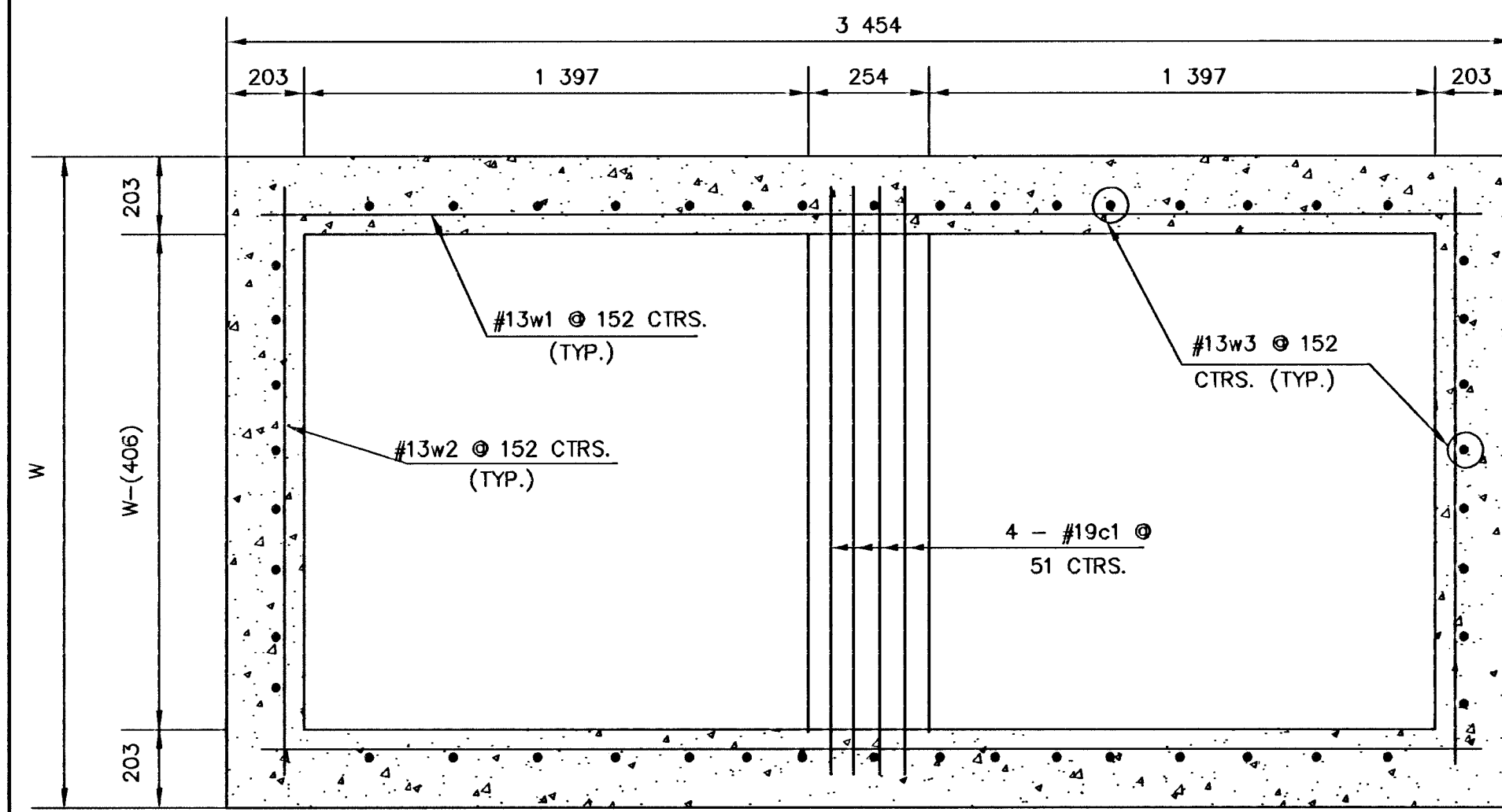
SECTION A-A



SECTION C-C

GENERAL NOTES

- CONCRETE SHALL BE C.O.W. STANDARD PAVING MIX. ALL EXPOSED EDGES SHALL BE FINISHED WITH AN EDGING TOOL. REINFORCING BARS SHALL BE FIELD BENT OR CUT TO CLEAR PIPES. ALL BARS ARE #13 BARS AT 152 mm SPACING AND SHALL HAVE A MINIMUM CLEARANCE OF 38 mm UNLESS OTHERWISE NOTED. FLOORS OF INLET SHALL BE SHAPED WITH A SACK SAND MIX CONCRETE TO INCREASE HYDRAULIC EFFICIENCY SUCH THAT THE INLET WILL BE SELF CLEANING BETWEEN ALL INLET AND/OR OUTFALL PIPE(S). THE CONTRACTOR WILL BE REQUIRED TO CONSTRUCT 203 mm BRICK MASONRY WALLS BETWEEN THE CONCRETE INLET BASE AND TOP ON THIS INLET WHEN H= 2 134 mm OR LESS AND W= 1 930 mm OR LESS.
- THE ENDS OF ALL PIPES INSTALLED IN INLETS SHALL BE CUT OFF FLUSH WITH THE INSIDE FACE OF THE INLET WALL.



SECTION B-B

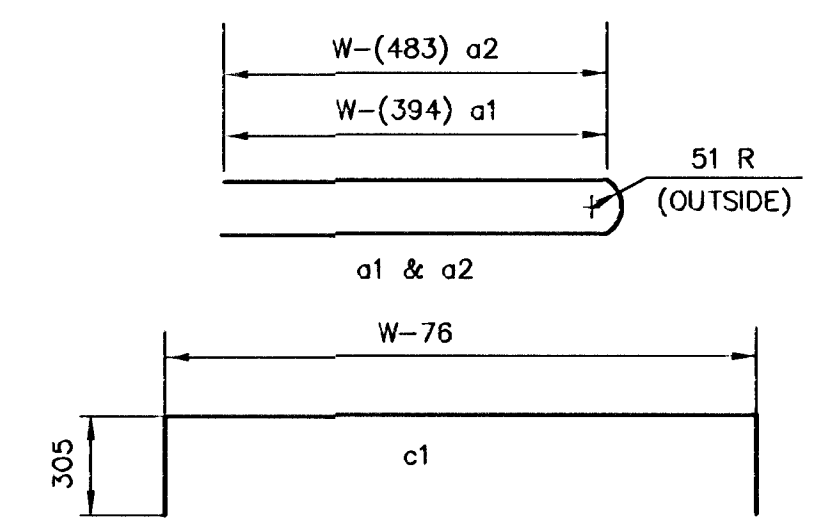
SLAB AND FLOOR REINFORCING

		W=1 321		W=1 626		W=1 930		W=2 235		W=2 540	
MARK	SIZE	NO.	LENGTH	NO.	LENGTH	NO.	LENGTH	NO.	LENGTH	NO.	LENGTH
a1	#13	13	2 013	13	2 623	13	3 232	13	3 842	13	4 451
a2	#13	2	1 829	2	2 438	2	3 048	2	3 658	2	4 267
a3	#13	20	1 245	20	1 549	20	1 854	20	2 159	20	2 464
b1	#13	1	2 946	1	2 946	1	2 946	1	2 946	1	2 946
**b2	#13	18	3 378	24	3 378	30	3 378	36	3 378	42	3 378

WALL REINFORCING

		W=1 321		W=1 626		W=1 930		W=2 235		W=2 540	
MARK	SIZE	NO.	LENGTH	NO.	LENGTH	NO.	LENGTH	NO.	LENGTH	NO.	LENGTH
c1	#19	4	1 854	4	2 159	4	2 464	4	2 769	4	3 073
w1	#13	①	3 378	①	3 378	①	3 378	①	3 378	①	3 378
w2	#13	①	1 245	①	1 549	①	1 854	①	2 159	①	2 464
w3	#13	②	③	②	③	②	③	②	③	②	③

\*\* FIELD BEND OR CUT REINFORCING AS REQUIRED FOR CLEARANCE  
 ① 4(H1-152)  
 ② 40+4(W-305)  
 ③ H1-(229)



BENDING DIAGRAMS

STANDARD CURB INLET PRECAST TOPS

W	PRE-CAST TOP SIZE	PIPE SIZE	m³ CONC.
1 321	1 118 x 3 454 x 191	530 & SMALLER	± 0.63
1 626	1 422 x 3 454 x 191	600 & 750	± 0.83
1 930	1 727 x 3 454 x 191	900 & 1 050	± 1.03
2 235	2 032 x 3 454 x 191	1 200 & 1 350	± 1.23
2 540	2 337 x 3 454 x 191	1 500 & 1 675	± 1.43

H:\CIVIL\01053\PAVE\6X10-1SI.DWG 04/30/03 03:24:57 PM CDT



**NORTH HILLSIDE STREET PAVING PLANS**  
 PROJECT NAME  
**STANDARD TYPE I CURB INLET**  
 Opening 152 x 3 048 mm  
 SHEET TITLE

JRA DESIGN BY: DPG DRAWN BY: JRA CHECKED BY:  
 APRIL 2003 DATE: 01053 JOB NO.: 18 / 73 SHEET/OF