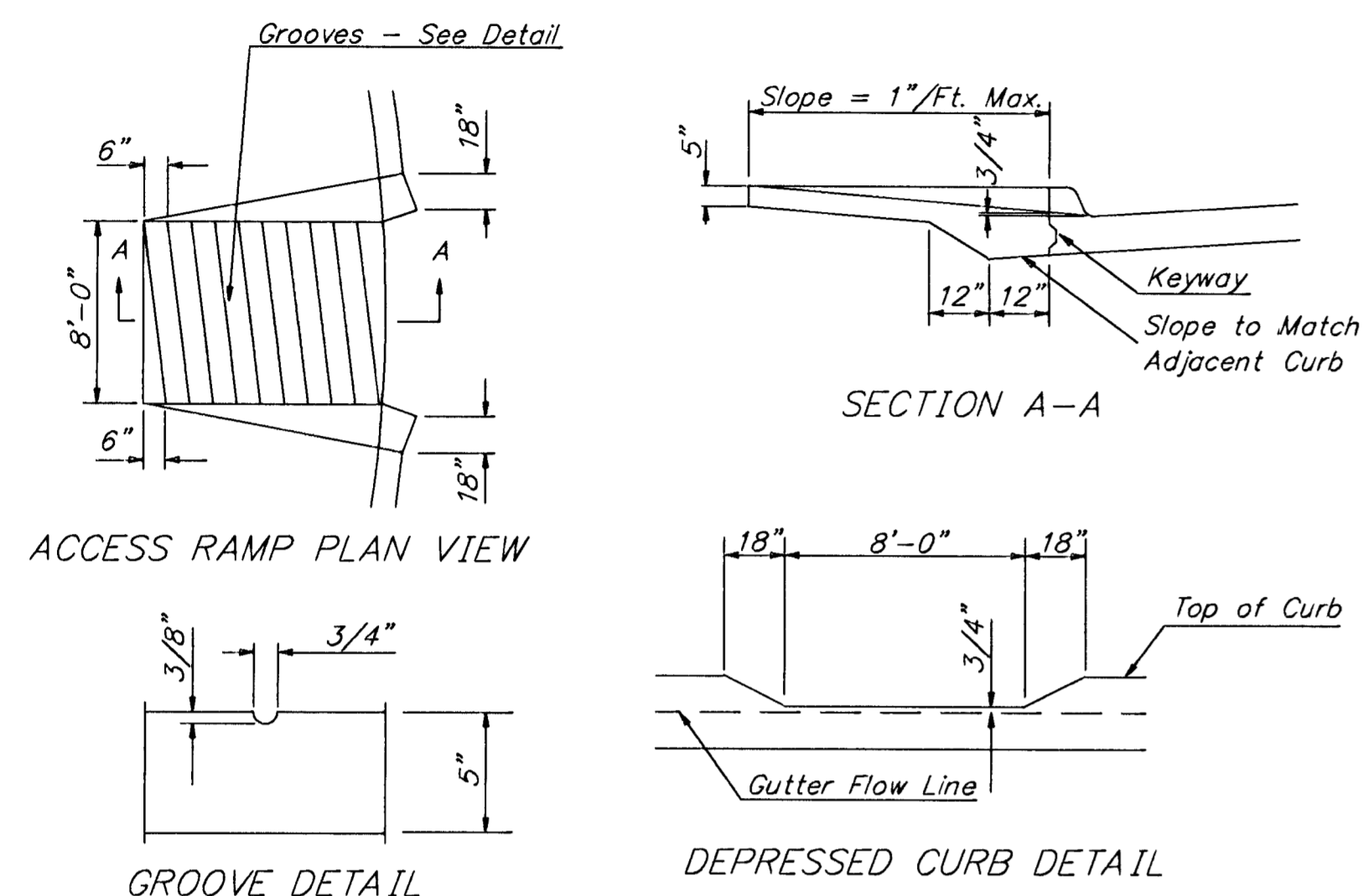
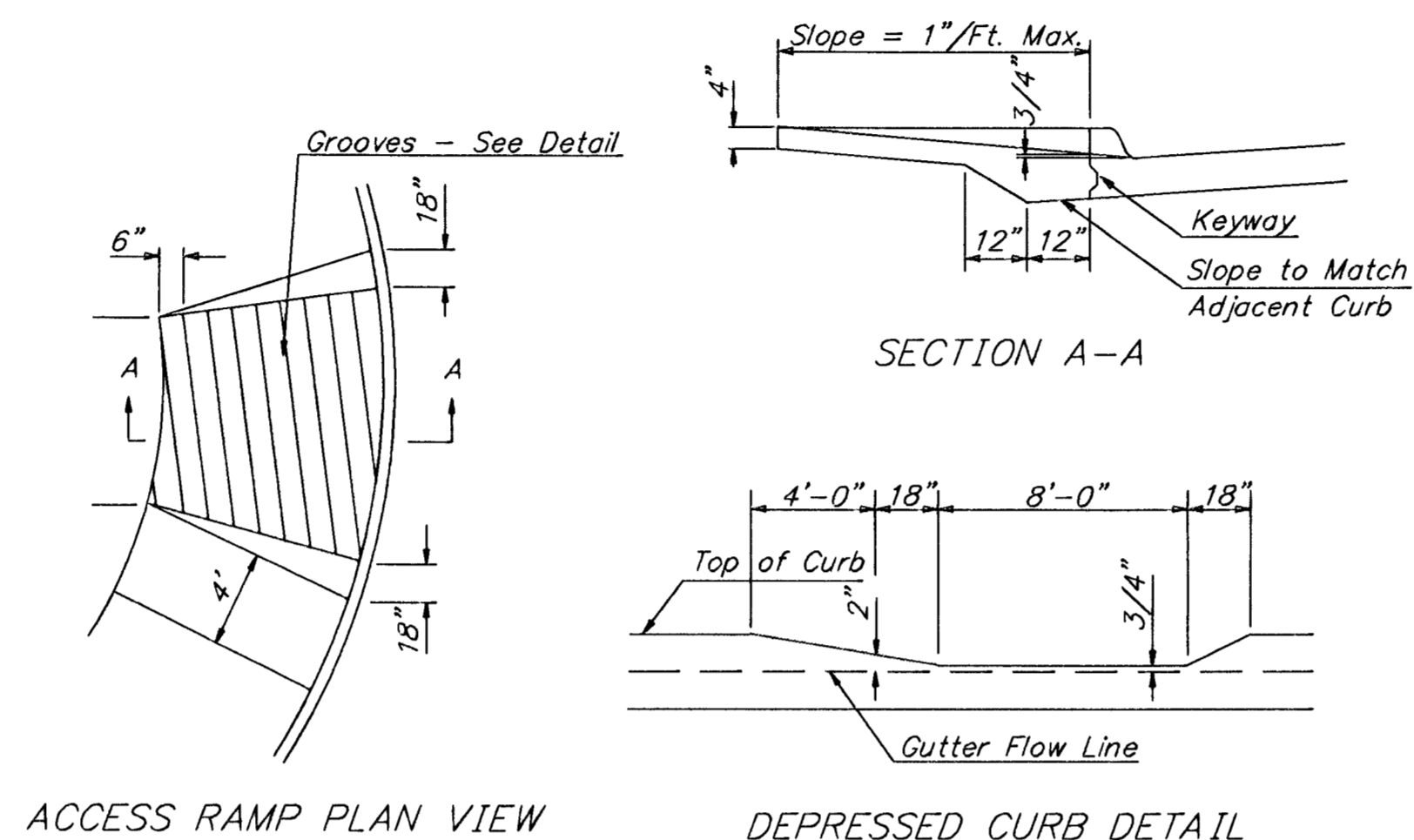


FHWA REGION NO.	STATE	PROJECT NO.	FISCAL YEAR	SHEET NO.	TOTAL SHEETS
7	KANSAS	87TE0074-01	1996	16	18



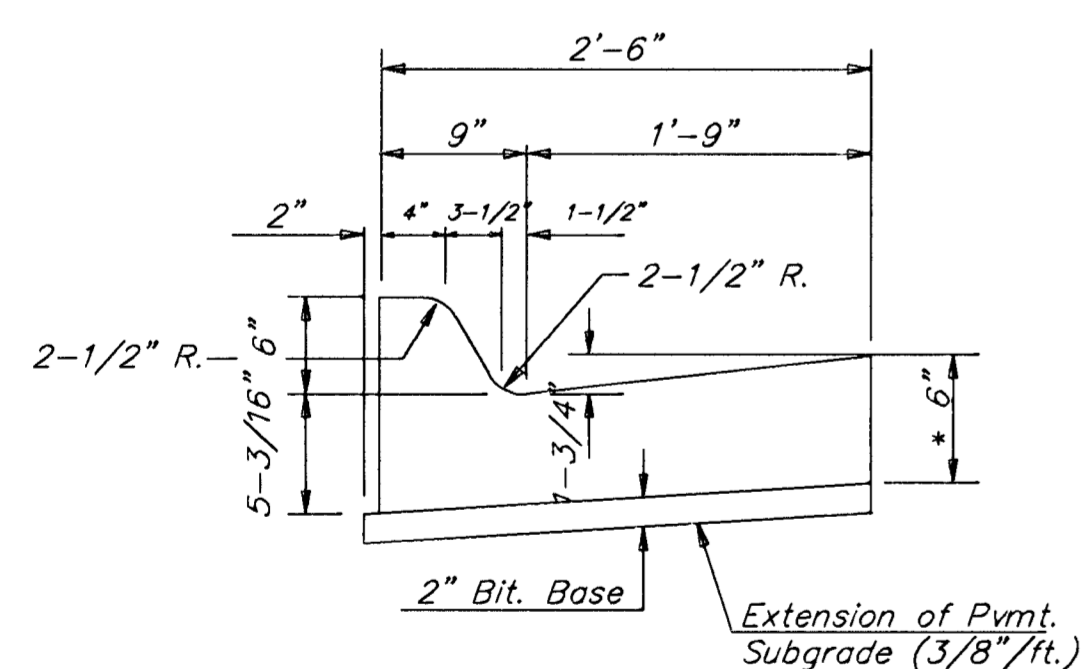
Note: All work associated with the installation of the wheelchair ramps, including removal of existing curb and gutter and construction of depressed curb and gutter, shall be included in the bid item "Wheelchair Ramp."

ACCESS RAMP DETAIL  
NOT TO SCALE

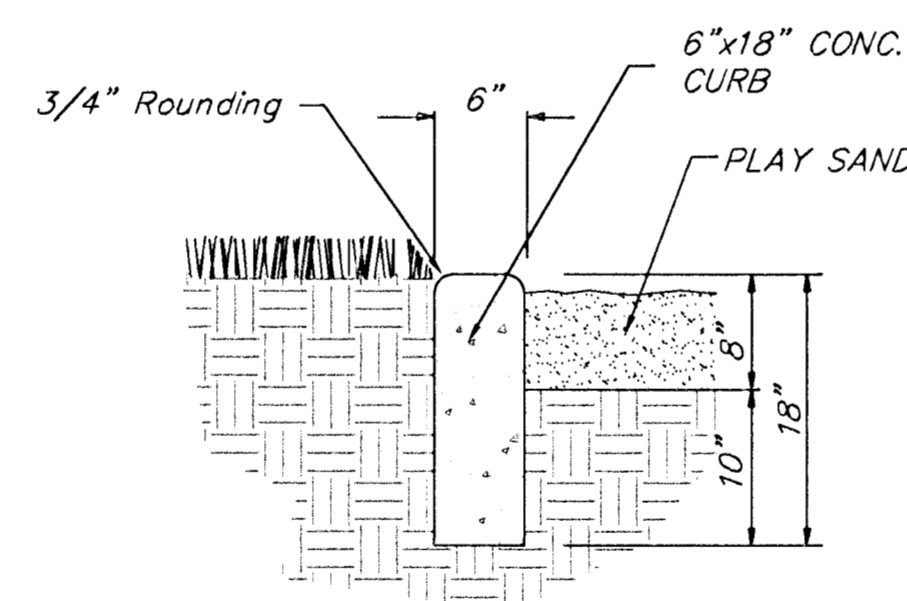


Note: All work associated with the installation of the wheelchair ramps, including removal of existing curb and gutter and construction of depressed curb and gutter, shall be included in the bid item "Wheelchair Ramp."

CORNER RAMP DETAIL  
NOT TO SCALE



COMBINED CURB & GUTTER-6"  
NOT TO SCALE



6" CONCRETE CURB  
NOT TO SCALE

**GYP SUM CREEK BICYCLE PATH  
MISC. DETAILS**

**BAUGHMAN COMPANY P. A.**  
ENGINEERING, SURVEYING, & PLANNING  
316-262-7271 • 315 ELLIS • WICHITA, KANSAS 67211

DESIGN BAM	DRAWN BAM	APPROVED	DATE 4/96	SCALE NONE	SHEET 16 OF 21
---------------	--------------	----------	--------------	---------------	-------------------------

95-10-E148  
GYP2-DETAILS