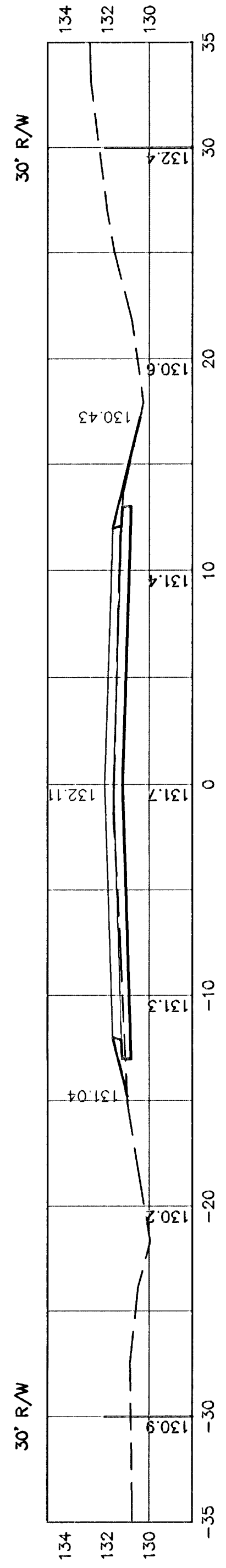


7+80

Cut Area: 9.60 ft²
Fill Area: 1.05 ft²

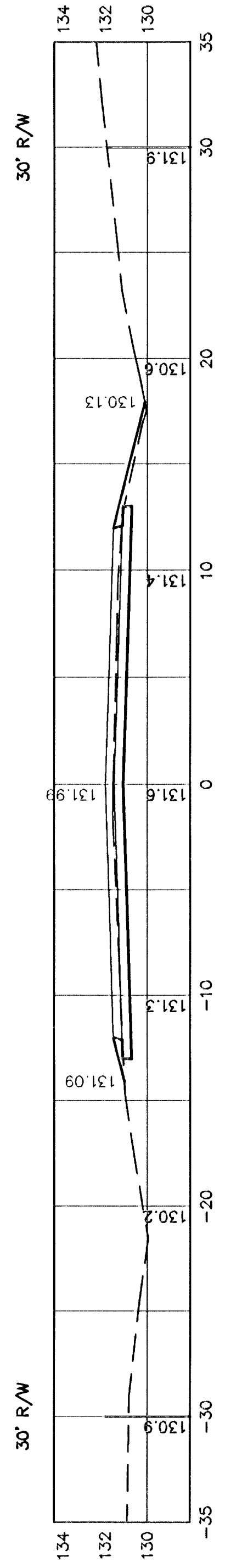
Cut Volume: 455.4 yds
Fill Volume: 36.3 yds



7+50

Cut Area: 10.38 ft²
Fill Area: 1.16 ft²

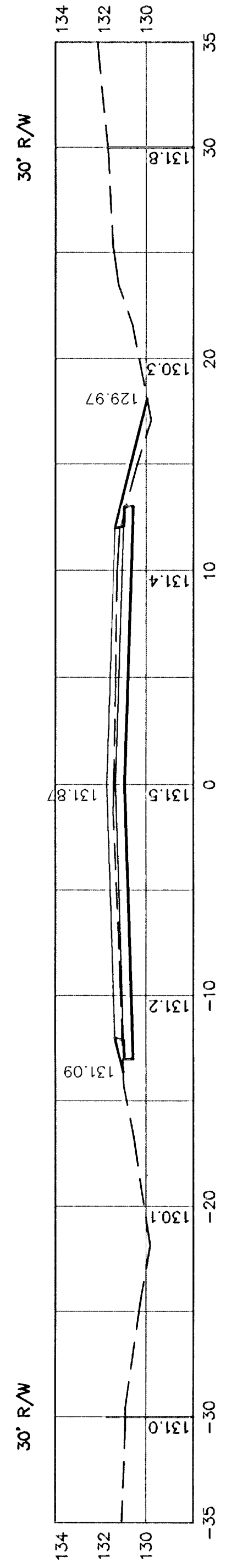
Cut Volume: 444.3 yds
Fill Volume: 35.0 yds



7+00

Cut Area: 12.66 ft²
Fill Area: 1.61 ft²

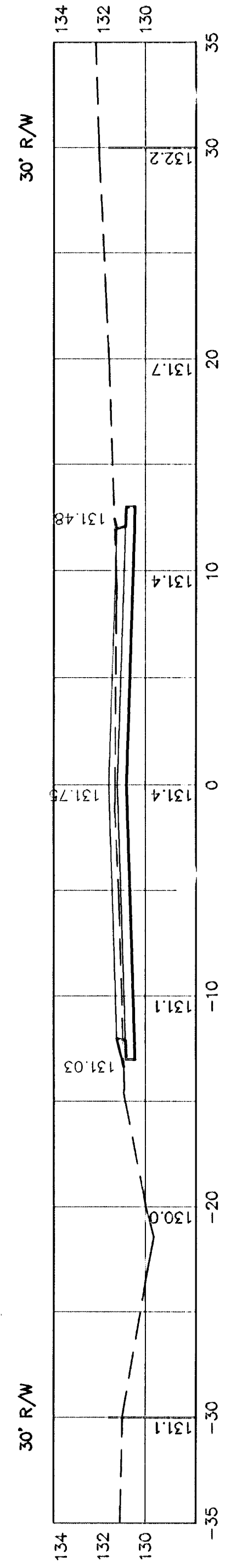
Cut Volume: 423.0 yds
Fill Volume: 32.5 yds



6+50

Cut Area: 14.29 ft²
Fill Area: 2.14 ft²

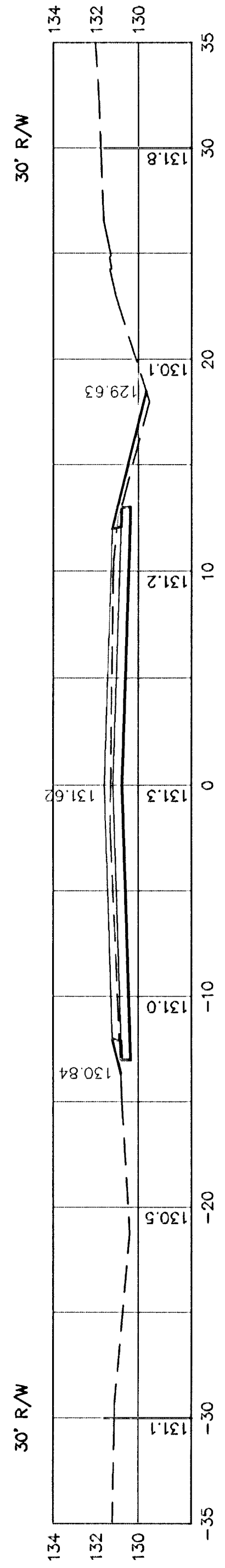
Cut Volume: 398.1 yds
Fill Volume: 29.0 yds



6+00

Cut Area: 10.98 ft²
Fill Area: 0.19 ft²

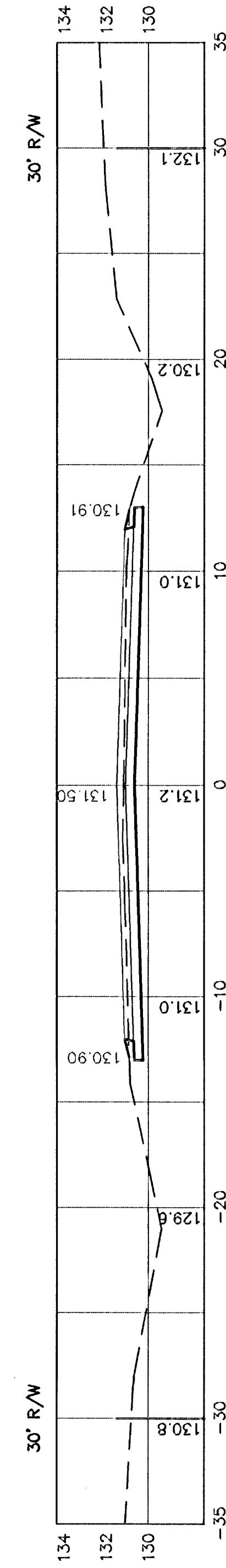
Cut Volume: 374.7 yds
Fill Volume: 26.9 yds



5+50

Cut Area: 15.33 ft²
Fill Area: 1.63 ft²

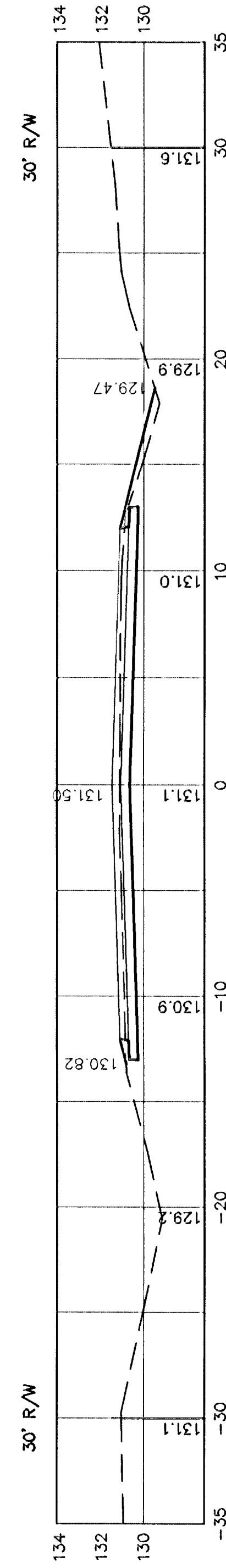
Cut Volume: 350.3 yds
Fill Volume: 25.2 yds



5+00

Cut Area: 9.47 ft²
Fill Area: 0.16 ft²

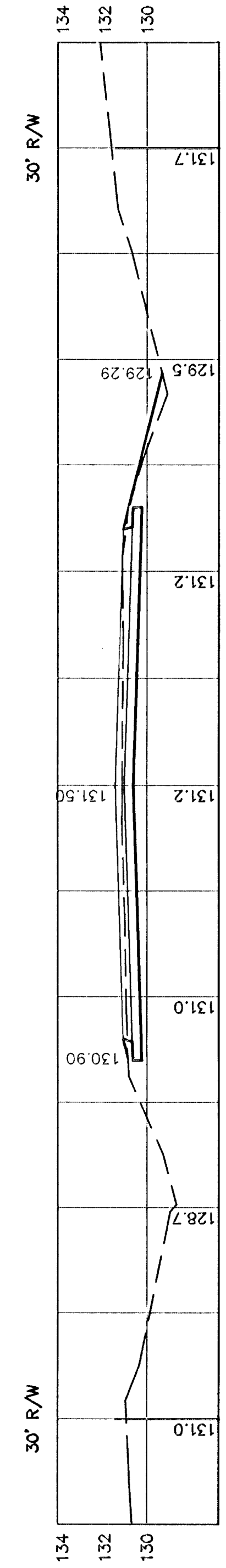
Cut Volume: 327.3 yds
Fill Volume: 23.5 yds



4+50

Cut Area: 14.79 ft²
Fill Area: 1.92 ft²

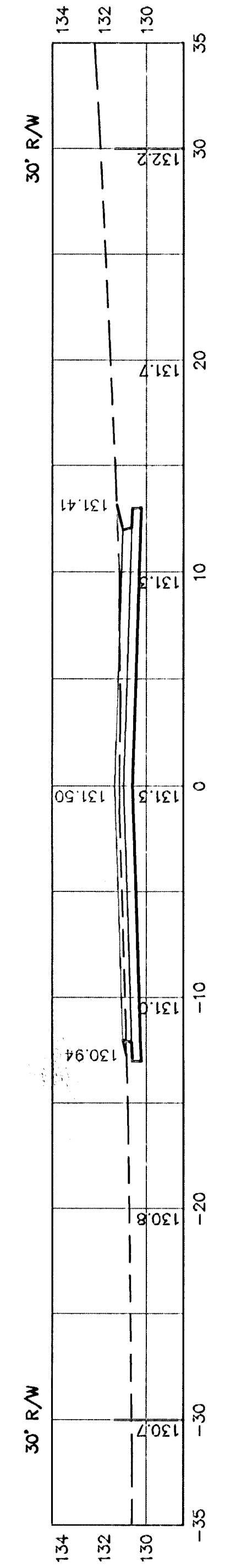
Cut Volume: 304.9 yds
Fill Volume: 21.6 yds



4+00

Cut Area: 16.32 ft²
Fill Area: 1.44 ft²

Cut Volume: 276.1 yds
Fill Volume: 18.5 yds



3+50

Cut Area: 18.58 ft²
Fill Area: 0.06 ft²

Cut Volume: 243.7 yds
Fill Volume: 17.1 yds

CED PROJ. NO.: 20030988

CERTIFIED ENGINEERING DESIGN, P.A.



810 WEST DOUGLAS, SUITE C
WICHITA, KANSAS 67203
PH: (316) 262-8808
FAX: (316) 262-1669

SHEET 23
TOTAL 43